


MODEL: UJ2-B-HR-G-TH | **DESCRIPTION:** USB RECEPTACLE

FEATURES

- USB Type B receptacle
- board lock
- USB 2.0


SPECIFICATIONS

parameter	conditions/description	min	typ	max	units
USB standard	USB 2.0				
rated input voltage				5	Vdc
rated input current				1.5	A
contact resistance ¹	between terminals and mating plug			30	mΩ
insulation resistance	between adjacent contacts	1000			MΩ
voltage withstand	between adjacent contacts	500			Vac
insertion force				35	N
withdrawal force		10			N
life			1,500		cycles
operating temperature		-40		85	°C
flammability rating	UL94V-0				
RoHS	yes				

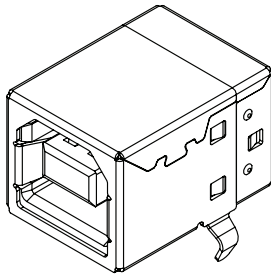
Note: 1. When measured at 20 mV / 100 mA.
2. All specifications measured at 10-35°C, humidity at 45-85%, under standard atmospheric pressure, unless otherwise noted.

SOLDERABILITY

parameter	conditions/description	min	typ	max	units
wave soldering	for 3-7 seconds	255	265	275	°C

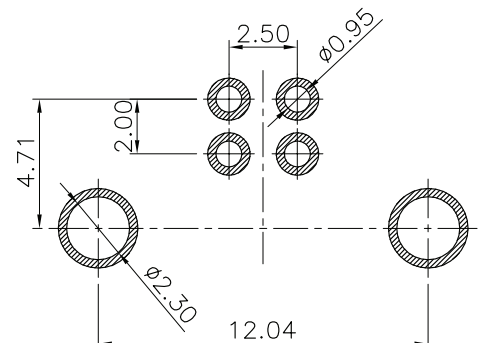
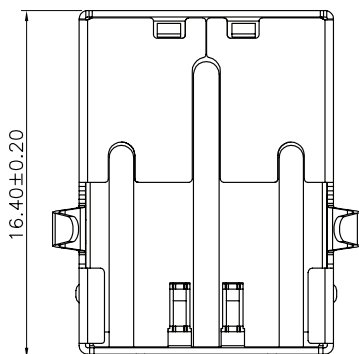
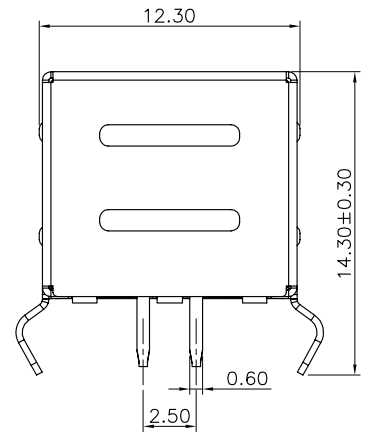
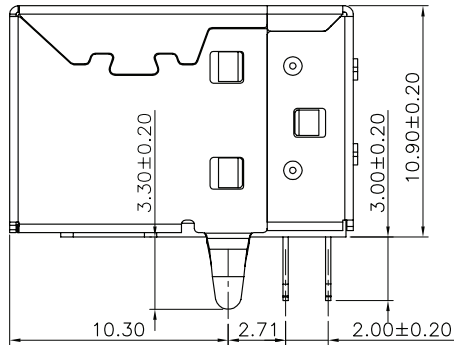
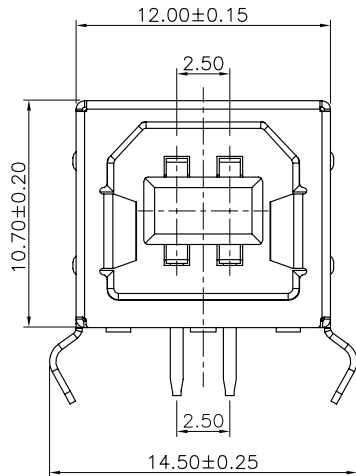
MECHANICAL DRAWING

units: mm
 tolerance:
 X. ± 0.50 mm
 X.X ± 0.30 mm
 X.XX ± 0.20 mm
 X.XXX ± 0.10 mm
 unless otherwise specified



DESCRIPTION	MATERIAL	PLATING/COLOR
insulator	LCP (UL94V-0)	black
contact	copper alloy t=0.25 mm	contact area: gold flash solder area: tin over nickel
shell	SPCC / copper alloy t=0.30 mm	nickel

PIN CONNECTIONS			
PIN	SIGNAL NAME	DESCRIPTION	MATING SEQUENCE
1	V _{bus}	power	SECOND
2	D-	USB 2.0 DIFFERENTIAL PAIR	THIRD
3	D+		
4	GND	ground for power return	SECOND
SHELL	SHIELD	metal shell	FIRST



Recommended PCB Layout
Top View

REVISION HISTORY

rev.	description	date
1.0	initial release	08/23/2023
1.01	CUI Devices rebranded to Same Sky	09/12/2024

The revision history provided is for informational purposes only and is believed to be accurate.



Same Sky offers a one (1) year limited warranty. Complete warranty information is listed on our website.

Same Sky reserves the right to make changes to the product at any time without notice. Information provided by Same Sky is believed to be accurate and reliable. However, no responsibility is assumed by Same Sky for its use, nor for any infringements of patents or other rights of third parties which may result from its use.

Same Sky products are not authorized or warranted for use as critical components in equipment that requires an extremely high level of reliability. A critical component is any component of a life support device or system whose failure to perform can be reasonably expected to cause the failure of the life support device or system, or to affect its safety or effectiveness.

[sameskydevices.com](https://www.sameskydevices.com)