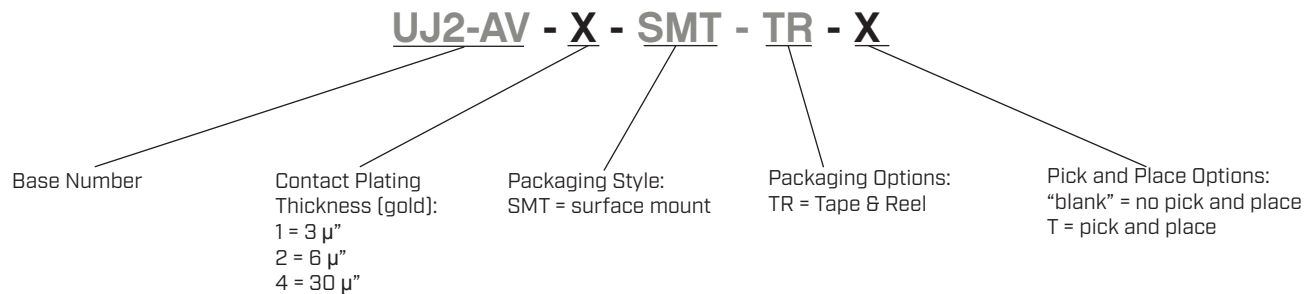


**SERIES:** UJ2-AV-SMT-TR | **DESCRIPTION:** USB RECEPTACLE**FEATURES**

- USB type A jack
- USB 2.0
- vertical orientation
- surface mount

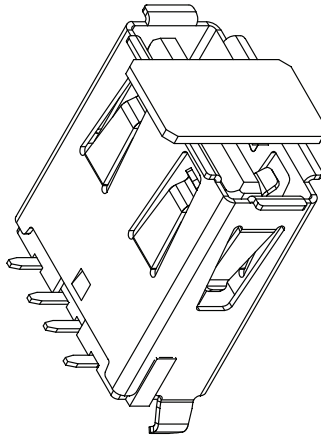
**PART NUMBER KEY****SPECIFICATIONS**

parameter	conditions/description	min	typ	max	units
USB standard	USB 2.0				
rated input voltage				30	Vac
rated input current				1.0	A
contact resistance <sup>1</sup>	between terminals and mating plug			30	m $\Omega$
insulation resistance		1000			M $\Omega$
voltage withstand	for 1 minute			500	Vac
insertion force				35	N
withdrawal force		10			N
operating temperature		-40		85	$^{\circ}$ C
life			1,500		cycles
flammability rating	UL94V-0				
RoHS	yes				

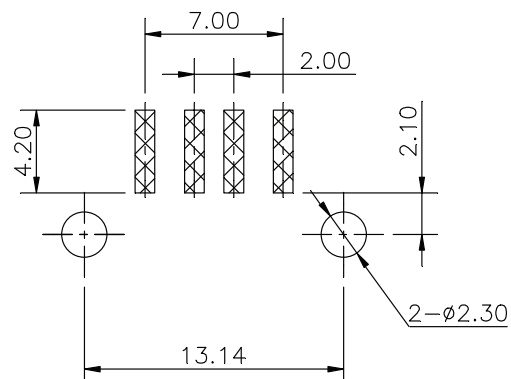
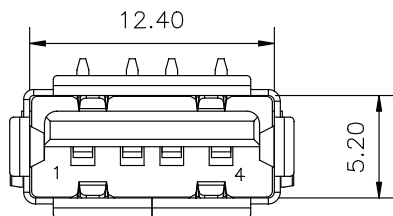
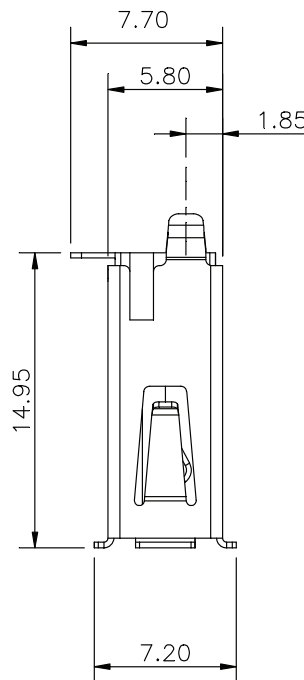
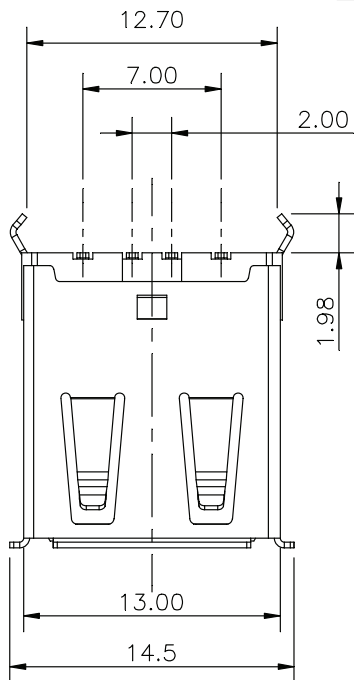
Note: 1. When measured at 20 mV / 100 mA.  
2. All specifications measured at 15-35 $^{\circ}$ C, humidity at 25-85%, under atmospheric pressure of 86-106 kPa, unless otherwise noted.

## MECHANICAL DRAWING

units: mm  
 tolerance:  
 X.X ±0.38 mm  
 X.XX ±0.25 mm



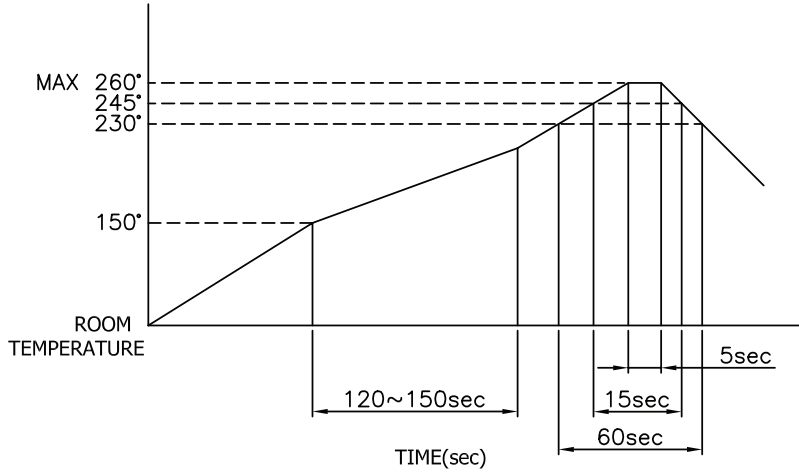
	MATERIAL	PLATING
contact terminals	phosphor bronze	contact: gold over nickel solder: tin over nickel
shield	steel	nickel
insulator	FR52 (black)	



Recommended PCB Layout  
 Top View

## SOLDERABILITY

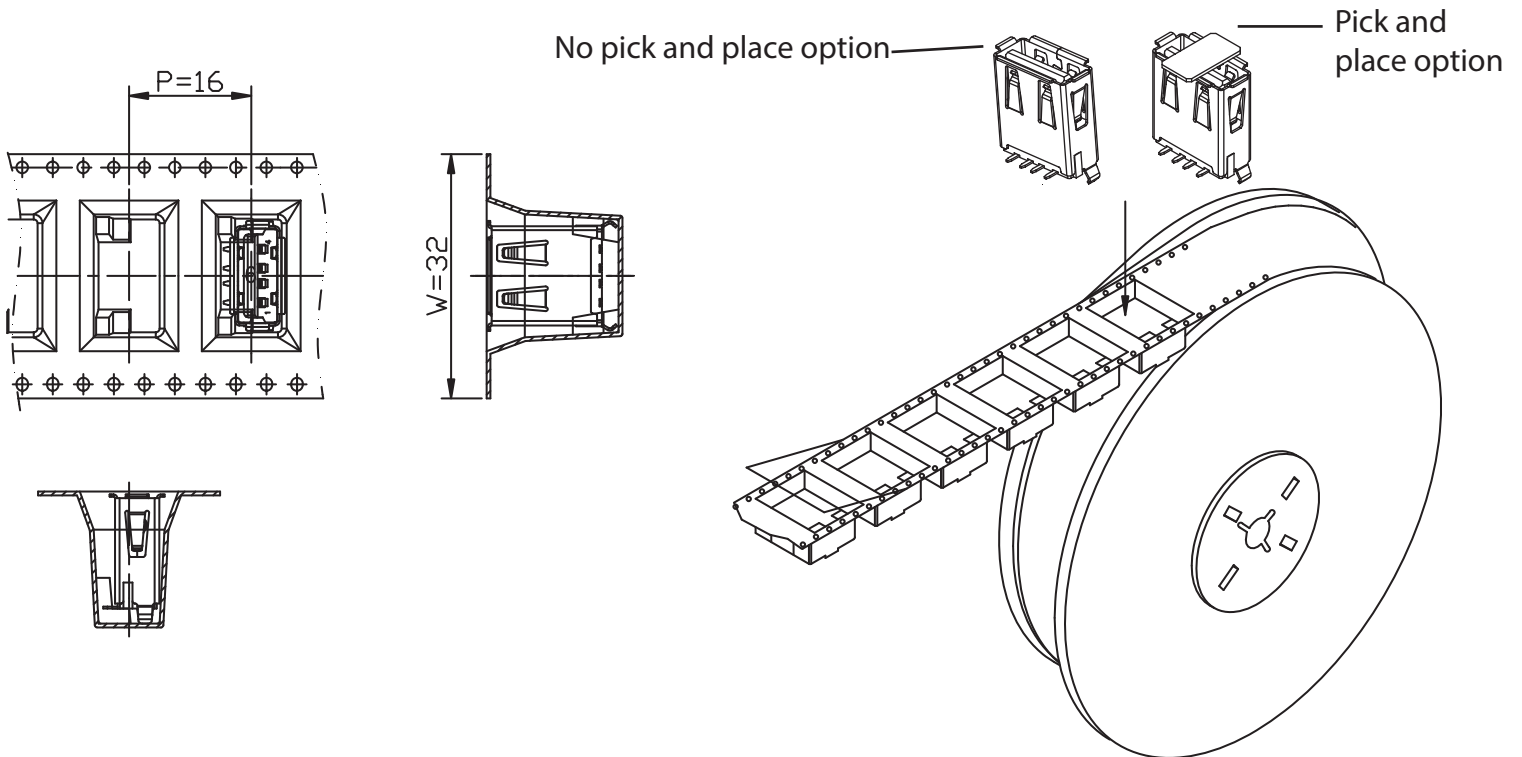
parameter	conditions/description	min	typ	max	units
reflow soldering	see reflow profile			260	°C



## PACKAGING

units: mm

Reel Size: Ø330  
Reel QTY: 240 pcs per reel



## REVISION HISTORY

rev.	description	date
1.0	initial release	08/05/2016
1.01	updated the shield plating to nickel	01/26/2017
1.02	added tape and reel packaging details, updated drawing	12/06/2017
1.03	updated packaging	05/21/2019
1.04	updated operating temperature range	08/06/2019
1.05	brand update	02/05/2020
1.06	added pick and place option to packaging	02/23/2021
1.07	added USB standard	04/20/2022
1.08	logo, datasheet style update	08/05/2022
1.09	CUI Devices rebranded to Same Sky	09/12/2024

The revision history provided is for informational purposes only and is believed to be accurate.



Same Sky offers a one (1) year limited warranty. Complete warranty information is listed on our website.

Same Sky reserves the right to make changes to the product at any time without notice. Information provided by Same Sky is believed to be accurate and reliable. However, no responsibility is assumed by Same Sky for its use, nor for any infringements of patents or other rights of third parties which may result from its use.

Same Sky products are not authorized or warranted for use as critical components in equipment that requires an extremely high level of reliability. A critical component is any component of a life support device or system whose failure to perform can be reasonably expected to cause the failure of the life support device or system, or to affect its safety or effectiveness.

[sameskydevices.com](https://www.sameskydevices.com)