



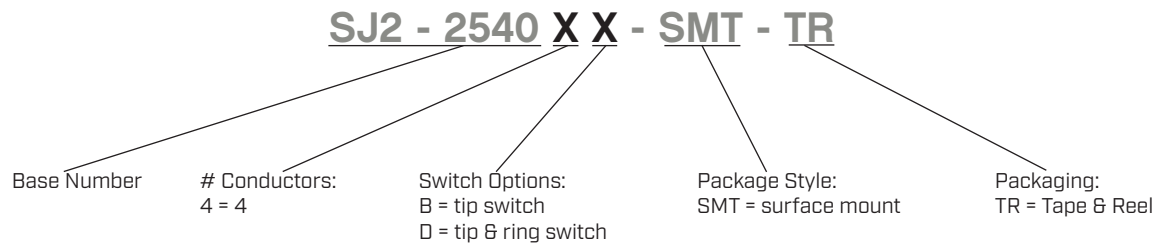
SERIES: SJ2-2540X-SMT | **DESCRIPTION:** AUDIO JACK

FEATURES

- gold terminal plating
- multiple switch configurations
- low profile design
- reflow solder profile



PART NUMBER KEY

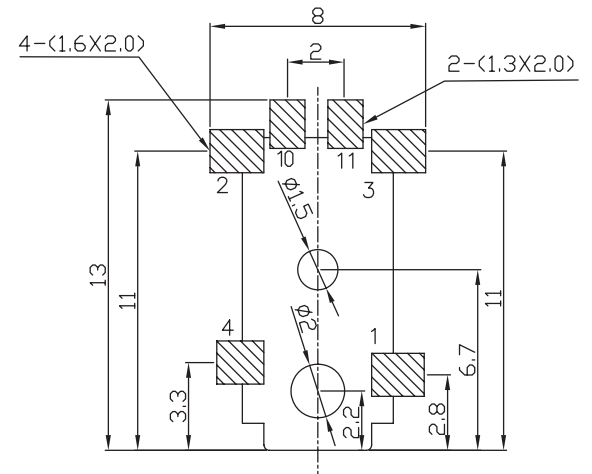
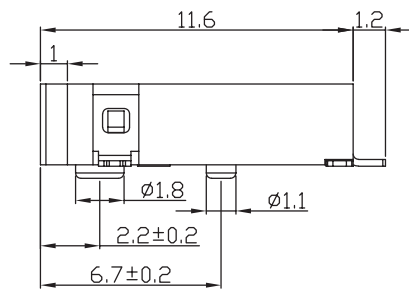
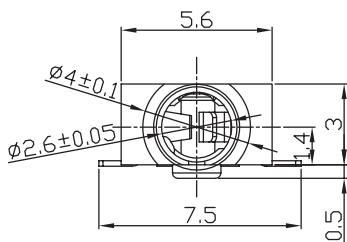
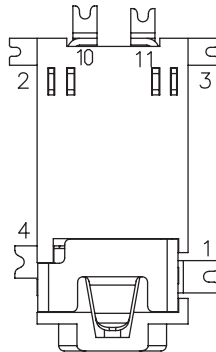
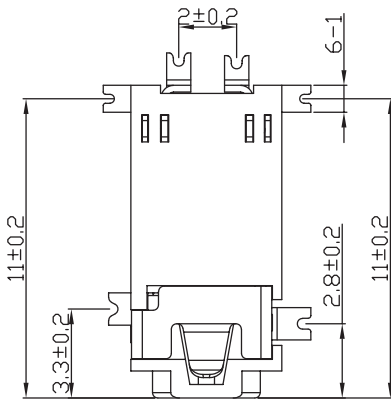


SPECIFICATIONS

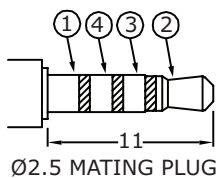
| parameter | conditions/description | min | typ | max | units |
|----------------------------|------------------------|-----|-------|-----|--------|
| rated input voltage | | | 12 | | Vdc |
| rated input current | | | | 1 | A |
| contact resistance | | | | 30 | mΩ |
| insulation resistance | at 500 Vdc | 100 | | | MΩ |
| voltage withstand | for 1 minute | | | 500 | Vac |
| insertion/withdrawal force | | 0.3 | | 3 | kg |
| operating temperature | | -40 | | 85 | °C |
| storage temperature | | -10 | | 50 | °C |
| life | | | 5,000 | | cycles |
| flammability rating | UL94V-0 | | | | |
| RoHS | yes | | | | |

MECHANICAL DRAWING

units: mm
 tolerance:
 $X \leq 4.00$: ± 0.15 mm
 $4.00 < X \leq 16.00$: ± 0.20 mm
 $16.00 < X \leq 63.00$: ± 0.30 mm
 unless otherwise noted



Recommended PCB Layout
Top View

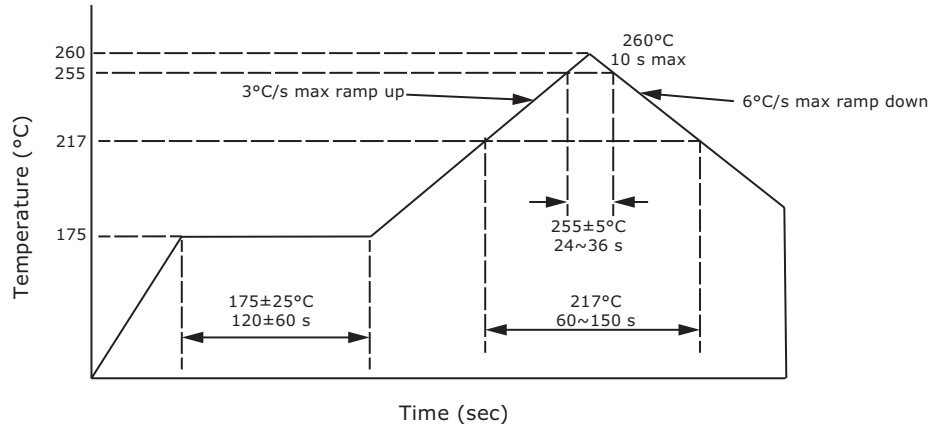


| Model No. | SJ2-25404B-SMT | SJ2-25404D-SMT |
|-----------|----------------|----------------|
| Schematic | | |
| PIN | | |
| 1 | sleeve | sleeve |
| 2 | tip | tip |
| 3 | ring 1 | ring 1 |
| 4 | ring 2 | ring 2 |
| 10 | tip switch | tip switch |
| 11 | NP | ring 1 switch |

SOLDERABILITY

| parameter | conditions/description | min | typ | max | units |
|-------------------|--|-----|-----|-----|--------------------|
| reel storage | reel opened & unused parts repacked within 2 hours: $\leq 30^{\circ}\text{C}$, $\leq 60\%$ humidity reel unopened, 1 year shelf life: $\leq 30^{\circ}\text{C}$, $\leq 85\%$ humidity | | | | |
| reflow soldering | see reflow profile | | | 260 | $^{\circ}\text{C}$ |
| drying conditions | parts removed from reel over 6 hours: bake at 40°C for 6 hours | | | | |

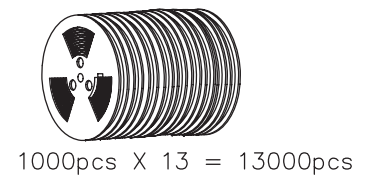
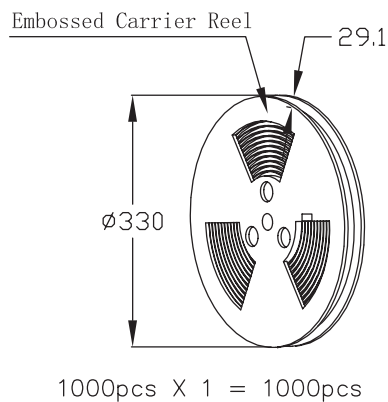
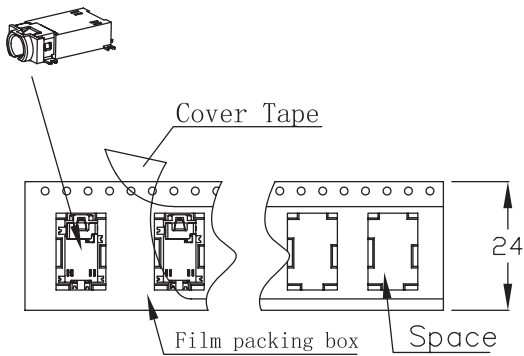
Note: 1. Same Sky recommends usage of the product within 2 hours after T&R is opened. After 6 hours, Same Sky recommends drying the parts prior to use.



PACKAGING

units: mm

Reel Size: $\varnothing 330$ mm
Reel QTY: 1,000 pcs per reel



REVISION HISTORY

| rev. | description | date |
|------|---|------------|
| 1.0 | initial release | 12/07/2016 |
| 1.01 | added storage and drying conditions | 06/07/2017 |
| 1.02 | brand update | 10/04/2019 |
| 1.03 | discontinued models SJ2-25404A-SMT-TR & SJ2-25404C-SMT-TR; logo, datasheet style update | 08/18/2022 |
| 1.04 | product reengineered for improved manufacturability and production yield, see PCN for details | 01/24/2023 |
| 1.05 | CUI Devices rebranded to Same Sky | 09/12/2024 |

The revision history provided is for informational purposes only and is believed to be accurate.



Same Sky offers a one (1) year limited warranty. Complete warranty information is listed on our website.

Same Sky reserves the right to make changes to the product at any time without notice. Information provided by Same Sky is believed to be accurate and reliable. However, no responsibility is assumed by Same Sky for its use, nor for any infringements of patents or other rights of third parties which may result from its use.

Same Sky products are not authorized or warranted for use as critical components in equipment that requires an extremely high level of reliability. A critical component is any component of a life support device or system whose failure to perform can be reasonably expected to cause the failure of the life support device or system, or to affect its safety or effectiveness.

[sameskydevices.com](https://www.sameskydevices.com)