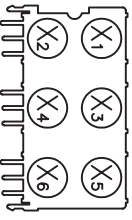


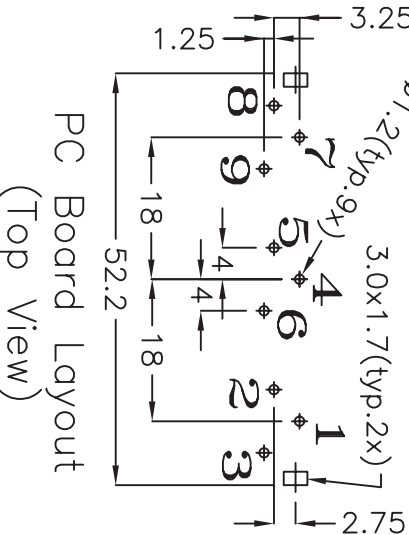
| Part No.  | Input X <sub>1</sub> | Input X <sub>2</sub> | Input X <sub>3</sub> | Input X <sub>4</sub> | Input X <sub>5</sub> | Input X <sub>6</sub> |
|---|----------------------|----------------------|----------------------|----------------------|----------------------|----------------------|
| RCJ-61212121  | Red                  | Black                | Red                  | Black                | Red                  | Black                |
| RCJ-61343434  | White                | Yellow               | White                | Yellow               | White                | Yellow               |
| RCJ-61232323  | Red                  | White                | Red                  | White                | Red                  | White                |
| RCJ-61223544  | Red                  | Red                  | White                | White                | Yellow               | Yellow               |
| RCJ-61X <sub>1</sub> X <sub>2</sub> X <sub>3</sub> X <sub>4</sub> X <sub>5</sub> X <sub>6</sub> | Color X <sub>1</sub> | Color X <sub>2</sub> | Color X <sub>3</sub> | Color X <sub>4</sub> | Color X <sub>5</sub> | Color X <sub>6</sub> |

Example: (Black, Red, White, Yellow, Blue, Green)  
 RCJ-61X<sub>1</sub>X<sub>2</sub>X<sub>3</sub>X<sub>4</sub>X<sub>5</sub>X<sub>6</sub> = RCJ-61123456

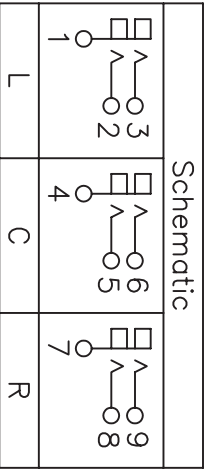
ROHS Compliant



| Color Chart |
|-------------|
| 1 = Black   |
| 2 = Red     |
| 3 = White   |
| 4 = Yellow  |
| 5 = Blue    |
| 6 = Green   |



- Specifications:
- Insulation Resistance: 100MΩhms min. (initial)
  - Contact Resistance (initial): 30mΩhms max at 100mA(max) 1KHz.
  - Dielectric Withstand Voltage: AC 500V, 60Hz for 1 minute.
  - Insertion Force: 3Kgs max.
  - Extraction Force: 0.08Kgs min.
  - Humidity Test: 40±2. 90~95%, 48 hours.



| No. | Description             | Material   | Qty | Finish          |
|-----|-------------------------|------------|-----|-----------------|
| 1   | Earth Terminal (Barrel) | 0.5t Brass | 3   | Nickel Plated   |
| 2   | Terminal D              | 0.5t Brass | 3   | Silver Plated   |
| 3   | Terminal T              | 0.5t Brass | 3   | Silver Plated   |
| 4   | Base                    | ABS        | 1   | Black Color     |
| 5   | Cover                   | ABS        | 3   | Black Color     |
| 6   | Input                   | PBT        | 6   | See Color Index |

**CUIDEVICES**  
 6405 SW Rosewood St, Suite C  
 Lake Oswego, OR 97035  
 Phone: 877-323-3576  
 Website: www.cuidevices.com

