

SERIES: RCJ-01X-SMT | **DESCRIPTION:** RCA JACK**FEATURES**

- surface mount
- right angle

**PART NUMBER KEY**

RCJ-01 X - SMT - TR

Base Number

Housing Color:

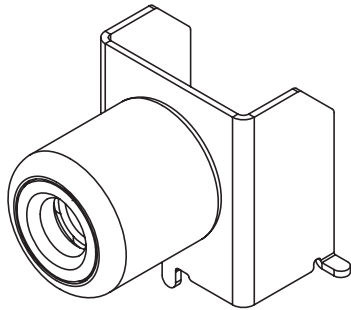
- 1 = Black
- 2 = Red
- 3 = White
- 4 = Yellow

SPECIFICATIONS

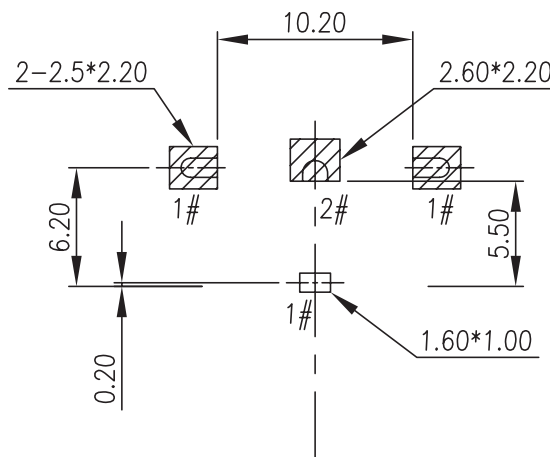
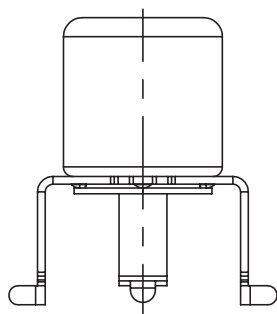
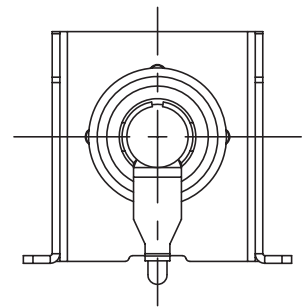
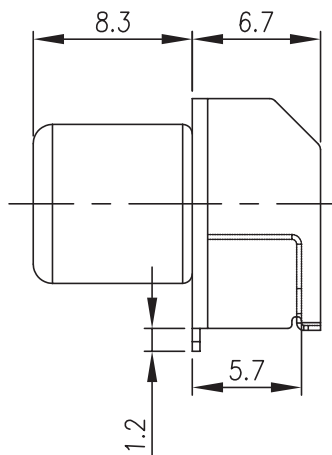
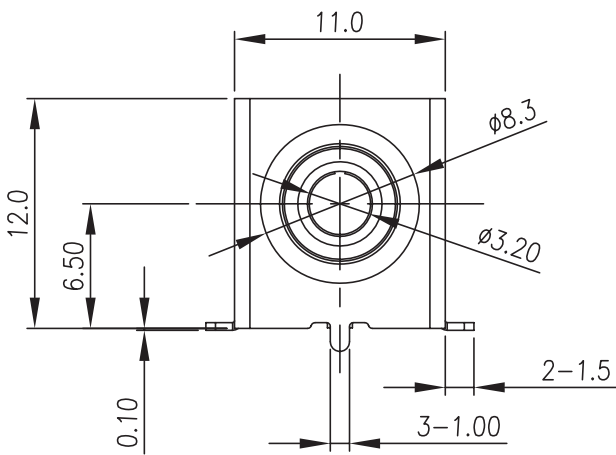
parameter	conditions/description	min	typ	max	units
rated voltage			12		Vdc
rated current				1	A
contact resistance				30	mΩ
insulation resistance	at 500 Vdc	100			MΩ
voltage withstand	for 1 minute			500	Vac
insertion force	with mating plug			3.5	kgf
withdrawal force	with mating plug	0.8			kgf
operating temperature		-25		85	°C
life			5,000		cycles
flammability rating	UL94V-0				
RoHS	yes				

MECHANICAL DRAWING

units: mm
 tolerance:
 X. ± 0.50 mm
 X.X ± 0.30 mm
 X.XX ± 0.20 mm
 unless otherwise specified



DESCRIPTION	MATERIAL	PLATING/COLOR
shell	brass	tin
bracket	SPCC	tin
center contact	brass	tin
insulator	PA10T [UL94V-0]	black
washer	PA10T [UL94V-0]	see part number key



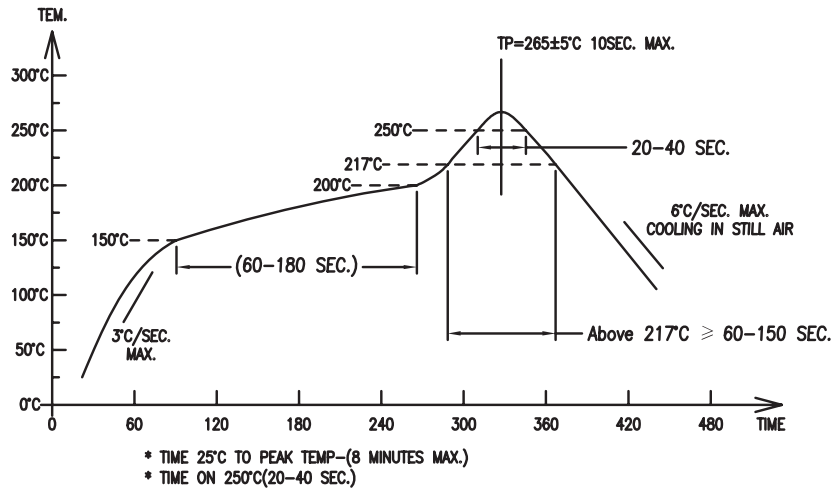
Recommended PCB Layout
Top View

Model No.	RCJ-01X-SMT
Schematic	

SOLDERABILITY

parameter	conditions/description	min	typ	max	units
reel storage	-5~35°C, 25~80% humidity reel opened: use within 1 month reel unopened: use within 6 months				
reflow soldering	see reflow profile	260	265	270	°C

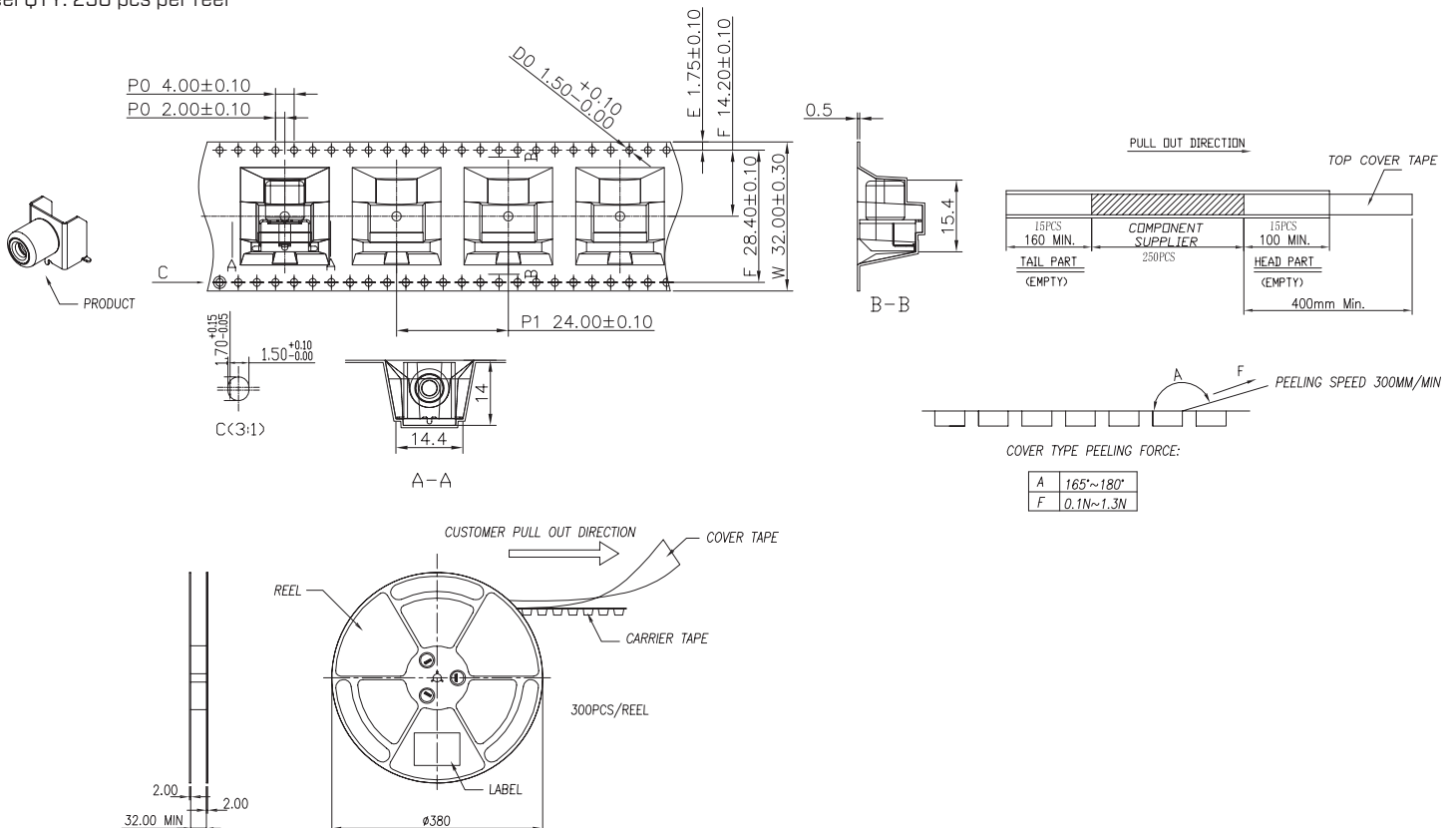
Note: 1. Same Sky recommends usage of the product within 2 hours after T&R is opened. After 6 hours, Same Sky recommends drying the parts prior to use.



PACKAGING

units: mm

Reel Size: Ø380 mm
Reel QTY: 250 pcs per reel



REVISION HISTORY

rev.	description	date
1.0	initial release	03/02/2006
1.01	added TR package option	11/07/2012
1.02	logo, brand update	10/28/2022
1.03	discontinued model RCJ-017-SMT; product reengineered for improved manufacturability and production yield, see PCN for details	01/30/2024
1.04	CUI Devices rebranded to Same Sky	09/12/2024

The revision history provided is for informational purposes only and is believed to be accurate.



Same Sky offers a one (1) year limited warranty. Complete warranty information is listed on our website.

Same Sky reserves the right to make changes to the product at any time without notice. Information provided by Same Sky is believed to be accurate and reliable. However, no responsibility is assumed by Same Sky for its use, nor for any infringements of patents or other rights of third parties which may result from its use.

Same Sky products are not authorized or warranted for use as critical components in equipment that requires an extremely high level of reliability. A critical component is any component of a life support device or system whose failure to perform can be reasonably expected to cause the failure of the life support device or system, or to affect its safety or effectiveness.

[sameskydevices.com](https://www.sameskydevices.com)