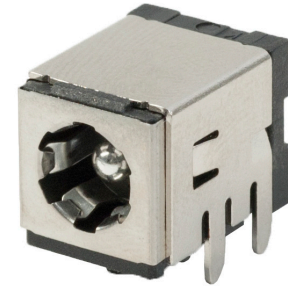




MODEL: PJ-082BH | **DESCRIPTION:** DC POWER JACK

FEATURES

- 10 A current rating
- shielded
- no internal switch



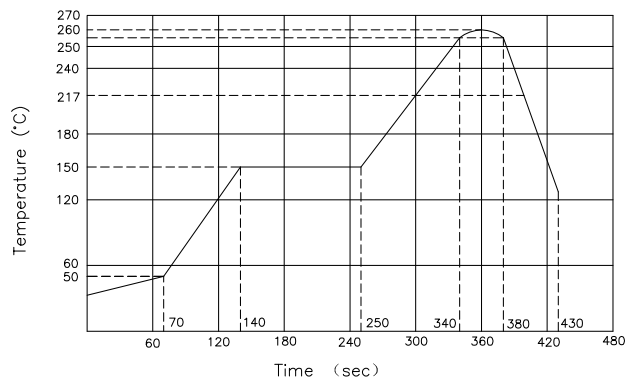
SPECIFICATIONS

| parameter | conditions/description | min | typ | max | units |
|----------------------------|------------------------|-----|-------|-----|--------|
| rated input voltage | | | 36 | | Vdc |
| rated input current | | | | 10 | A |
| contact resistance | | | | 30 | mΩ |
| insulation resistance | at 500 Vdc | 100 | | | MΩ |
| voltage withstand | for 1 minute | | | 500 | Vac |
| insertion/withdrawal force | | 0.3 | | 3 | kg |
| operating temperature | | -25 | | 85 | °C |
| life | | | 5,000 | | cycles |
| flammability rating | UL94V-0 | | | | |
| RoHS | yes | | | | |

SOLDERABILITY

| parameter | conditions/description | min | typ | max | units |
|--------------------------------|--|-----|-----|-----|-------|
| reel storage | 10~30°C, <70% humidity | | | | °C |
| reflow soldering ¹ | see reflow profile | 255 | 260 | | °C |
| drying conditions ² | parts in reel: bake at 110°C for 4 hours parts removed from reel: bake at 110°C for 4 hours | | | | |

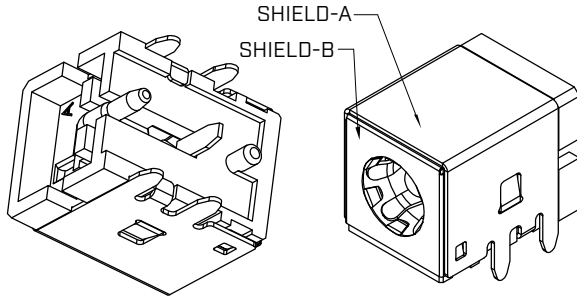
Note: 1. Same Sky recommends to solder within 72 hours from opening vacuum packaging at a temperature <30°C & relative humidity <60%.
2. When exceeding floor life by >240 hours.



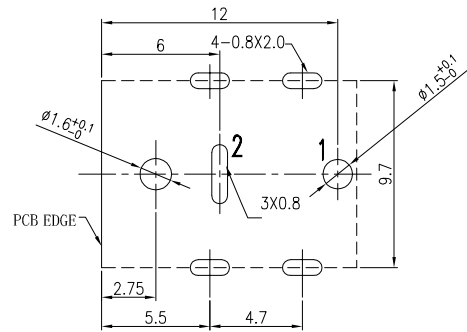
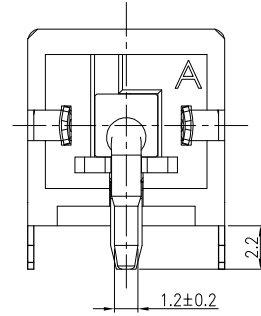
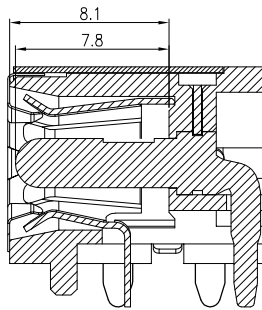
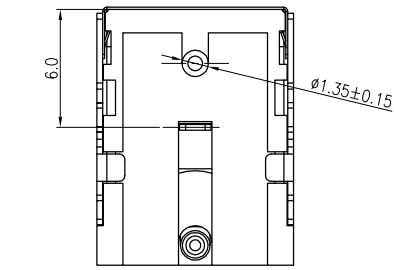
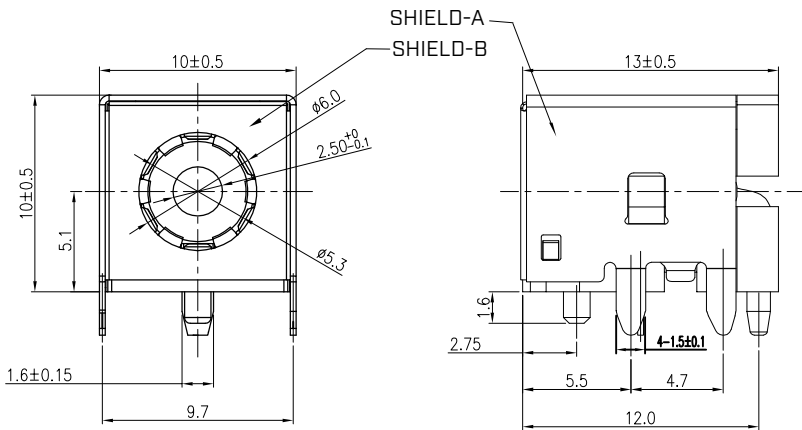
MECHANICAL DRAWING

units: mm

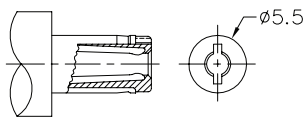
tolerance: ± 0.3 mm
 PCB: ± 0.05 mm
 unless otherwise specified
 PCB thickness: 1.6 mm



| DESCRIPTION | MATERIAL | PLATING/COLOR |
|-------------|----------------|---------------|
| center pin | zinc alloy | nickel |
| terminal 1 | zinc alloy | nickel |
| terminal 2 | C5191 t=0.30 | silver |
| stopper | C2680 t=0.40 | |
| shield A | SPCC t=0.30 | nickel |
| shield B | SUS 301 t=0.10 | |
| housing | PA9T (UL94V-0) | black |



Recommended PCB Layout
Top View



MATING PLUG
Jack Insertion Depth: 8.1 mm

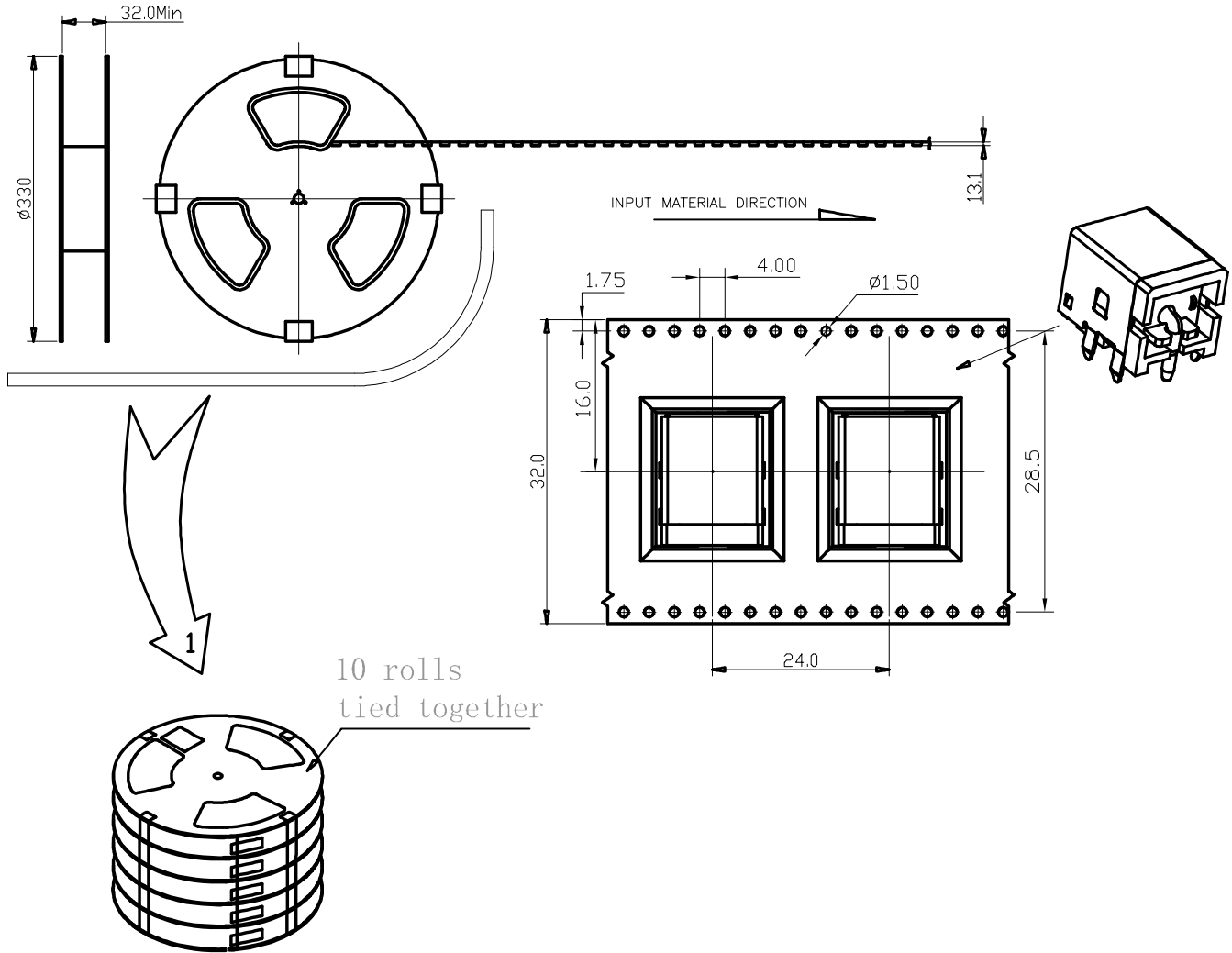
| | |
|-----------|----------------------|
| Schematic | 1 2 |
| Model | Center Pin |
| PJ-082BH | $\varnothing 2.5$ mm |

PACKAGING

units: mm

Reel Size: $\varnothing 330$ mm

Reel QTY: 200 pcs per reel



REVISION HISTORY

| rev. | description | date |
|------|--|------------|
| 1.0 | initial release | 03/23/2012 |
| 1.01 | increased voltage rating | 05/18/2016 |
| 1.02 | increased voltage rating, added storage and drying conditions, and tape and reel packaging details | 10/06/2017 |
| 1.03 | brand update | 10/31/2019 |
| 1.04 | product reengineered for improved manufacturability and production yield, see PCN for details | 01/09/2023 |
| 1.05 | product reengineered for improved manufacturability and production yield, see PCN for details | 05/15/2024 |
| 1.06 | CUI Devices rebranded to Same Sky | 09/12/2024 |

The revision history provided is for informational purposes only and is believed to be accurate.



Same Sky offers a one (1) year limited warranty. Complete warranty information is listed on our website.

Same Sky reserves the right to make changes to the product at any time without notice. Information provided by Same Sky is believed to be accurate and reliable. However, no responsibility is assumed by Same Sky for its use, nor for any infringements of patents or other rights of third parties which may result from its use.

Same Sky products are not authorized or warranted for use as critical components in equipment that requires an extremely high level of reliability. A critical component is any component of a life support device or system whose failure to perform can be reasonably expected to cause the failure of the life support device or system, or to affect its safety or effectiveness.

[sameskydevices.com](https://www.sameskydevices.com)