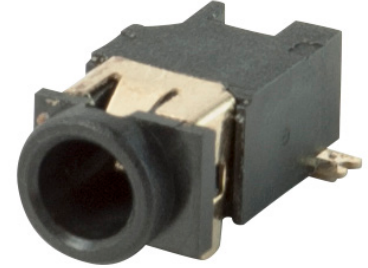




**MODEL:** PJ-074-SMT-TR | **DESCRIPTION:** DC POWER JACK

**FEATURES**

- 3 conductor
- no internal switches
- gold flash



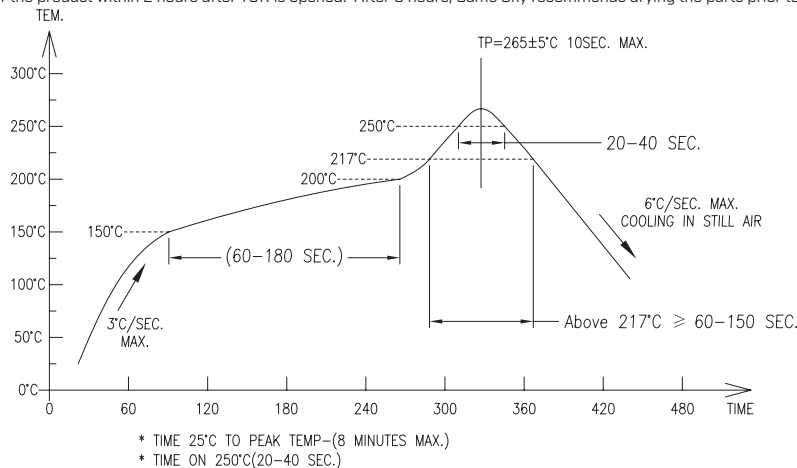
**SPECIFICATIONS**

parameter	conditions/description	min	typ	max	units
rated input voltage			24		Vdc
rated input current				2	A
contact resistance				30	mΩ
insulation resistance	at 500 Vdc	100			MΩ
voltage withstand	for 1 minute			500	Vac
insertion/withdrawal force		0.3		3	kg
operating temperature		-25		85	°C
life			5,000		cycles
flammability rating	UL94V-0				
RoHS	yes				

**SOLDERABILITY**

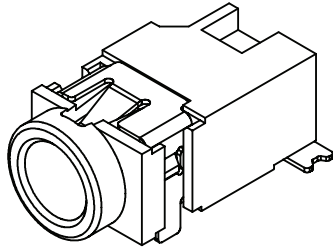
parameter	conditions/description	min	typ	max	units
wave soldering	dipped in solder pot for 5 ±0.5 seconds	255	260	265	°C
reel storage	-5~35°C, 25~80% humidity reel opened: use within 1 month reel unopened: use within 6 months				
reflow soldering	see reflow profile	260	265	270	°C

Note: 1. Same Sky recommends usage of the product within 2 hours after T&R is opened. After 6 hours, Same Sky recommends drying the parts prior to use.

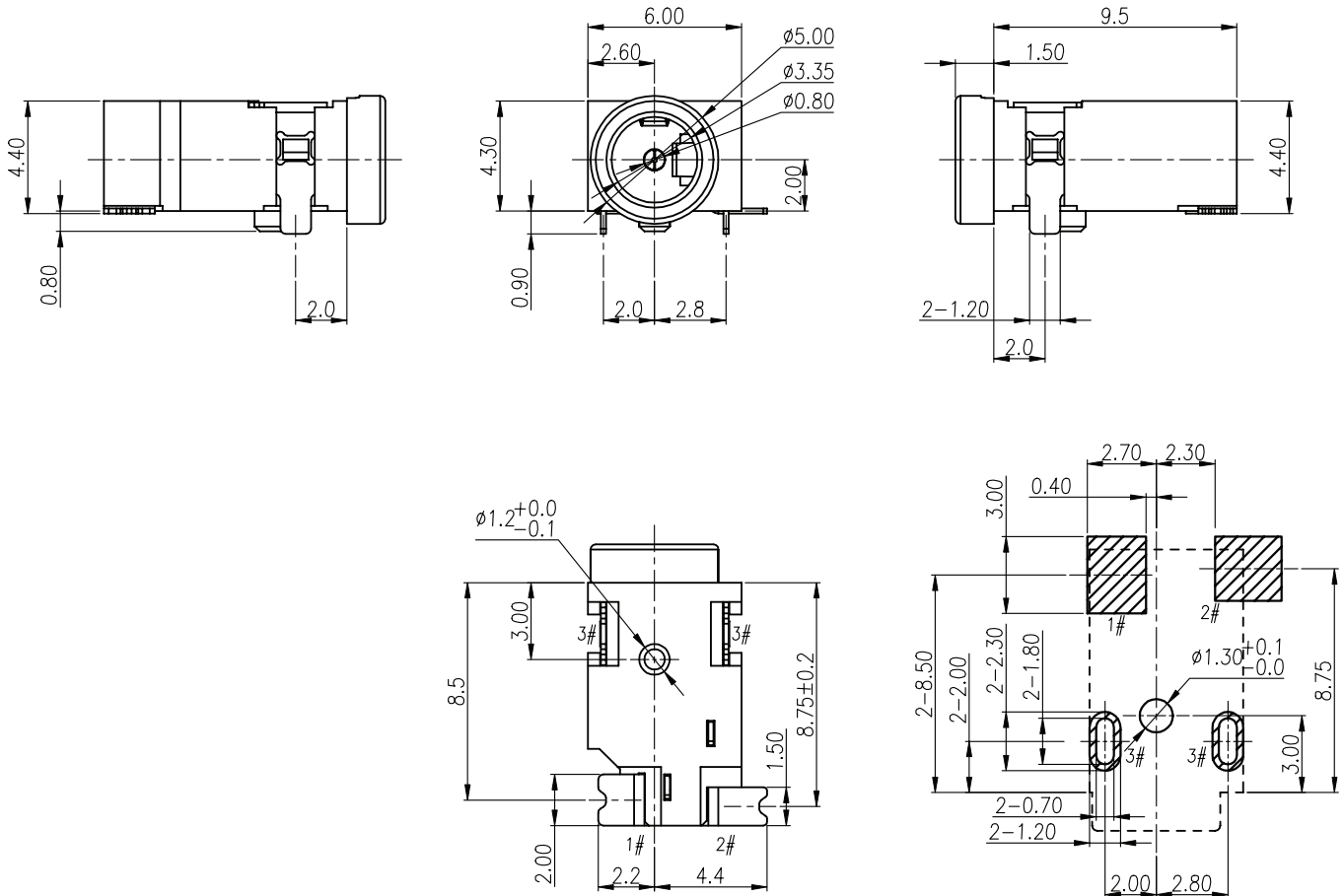


## MECHANICAL DRAWING

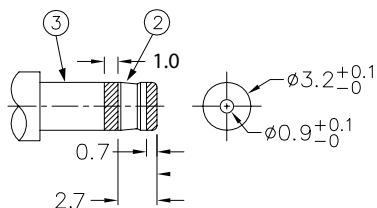
units: mm  
 tolerance:  
 X,  $\pm 0.50$  mm  
 X.X  $\pm 0.30$  mm  
 X.XX  $\pm 0.20$  mm  
 PCB:  $\pm 0.05$  mm  
 unless otherwise specified



DESCRIPTION	MATERIAL	PLATING/COLOR
terminal 1	brass	gold flash
terminal 2	copper alloy	gold flash
terminal 3	copper alloy	gold flash
housing	PA10T (UL94V-0)	black



Recommended PCB Layout  
Top View



MATING PLUG  
Jack Insertion Depth: 7.0 mm

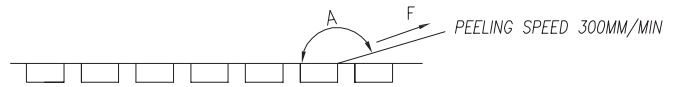
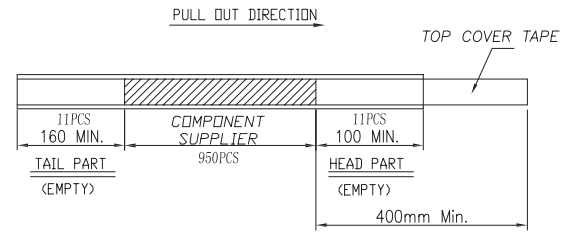
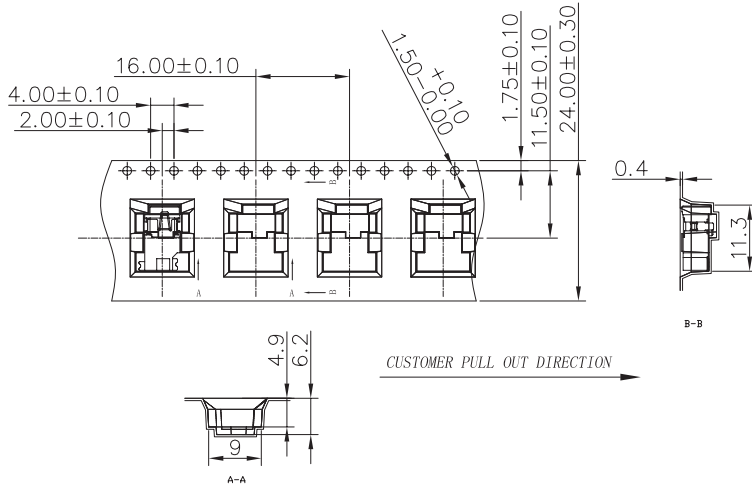
Schematic	1 2 3
Model	PJ-074-SMT
Center Pin	$\phi 0.8$ mm

## PACKAGING

units: mm

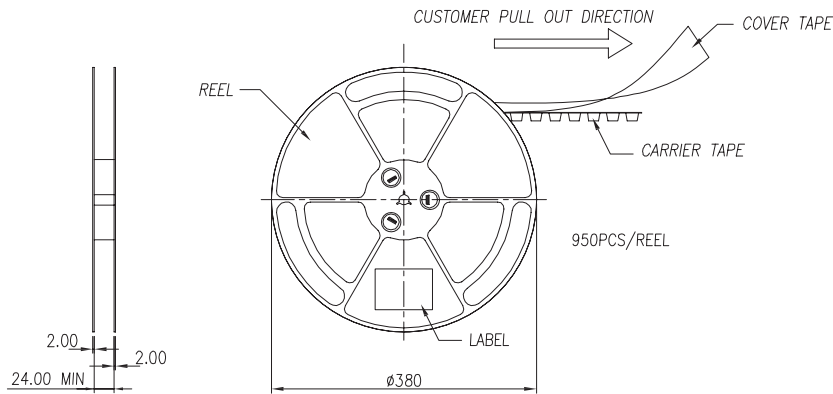
Reel Size:  $\varnothing 380$  mm

Reel QTY: 950 pcs per reel



COVER TYPE PEELING FORCE:

A	165°~180°
F	0.1N~1.3N



## REVISION HISTORY

rev.	description	date
1.0	initial release	08/23/2012
1.01	increased voltage rating	05/17/2016
1.02	added storage and drying conditions, and tape and reel packaging details	08/29/2017
1.03	brand update	10/22/2019
1.04	product reengineered for improved manufacturability and production yield, see PCN for details	03/08/2024
1.05	CUI Devices rebranded to Same Sky	09/12/2024

The revision history provided is for informational purposes only and is believed to be accurate.



Same Sky offers a one (1) year limited warranty. Complete warranty information is listed on our website.

Same Sky reserves the right to make changes to the product at any time without notice. Information provided by Same Sky is believed to be accurate and reliable. However, no responsibility is assumed by Same Sky for its use, nor for any infringements of patents or other rights of third parties which may result from its use.

Same Sky products are not authorized or warranted for use as critical components in equipment that requires an extremely high level of reliability. A critical component is any component of a life support device or system whose failure to perform can be reasonably expected to cause the failure of the life support device or system, or to affect its safety or effectiveness.

[sameskydevices.com](https://www.sameskydevices.com)