



## MODEL: PJ-055D | DESCRIPTION: DC POWER JACK

### FEATURES

- 1.3 mm center pin
- 3.0 A rating
- vertical orientation
- through hole mount



### SPECIFICATIONS

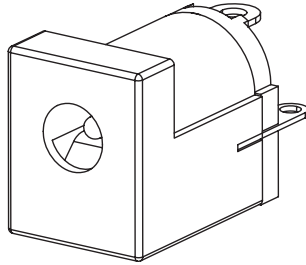
parameter	conditions/description	min	typ	max	units
rated input voltage			30		Vdc
rated input current				3.0	A
contact resistance				30	mΩ
insulation resistance	at 500 Vdc	100			MΩ
voltage withstand				500	Vac
insertion/withdrawal force		0.3		3	kg
operating temperature		-25		85	°C
storage temperature		-40		85	°C
life			5,000		cycles
flammability rating	UL94V-0				
RoHS	yes				

### SOLDERABILITY

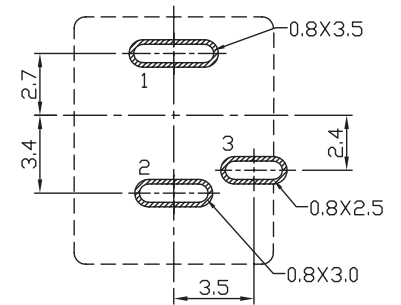
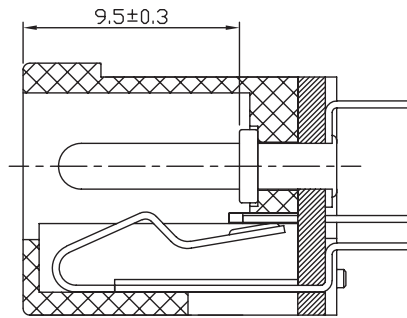
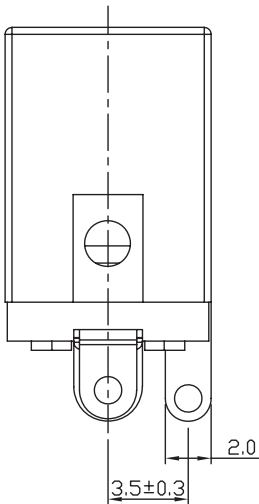
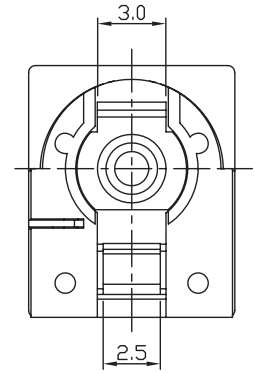
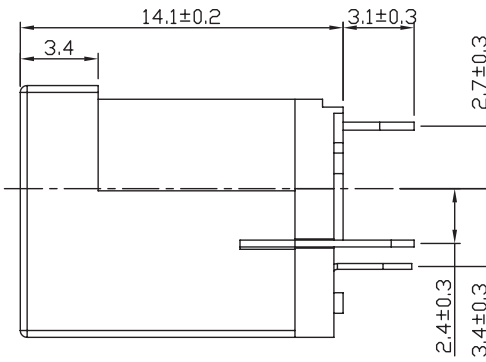
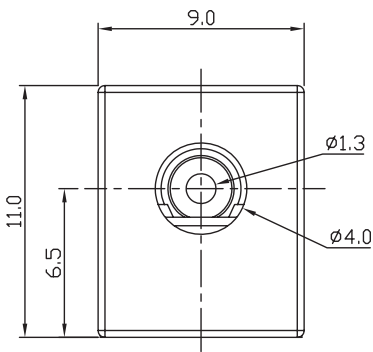
parameter	conditions/description	min	typ	max	units
wave soldering	dipped in solder pot for 10 seconds		260		°C

## MECHANICAL DRAWING

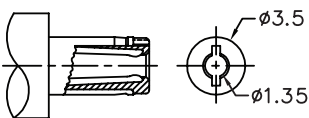
units: mm  
 tolerance:  $\pm 0.2$  mm  
 PCB:  $\pm 0.05$  mm  
 unless otherwise specified



DESCRIPTION	MATERIAL	PLATING/COLOR
center pin	brass (H65)	nickel
terminal 1	brass	silver
terminal 2	bronze	silver
terminal 3	brass	silver
housing	PBT [UL94V-0]	black



Recommended PCB Layout  
Top View



MATING PLUG  
Jack Insertion Depth: 9.5 mm

SCHEMATIC	
Model	PJ-055D
Center Pin	$\phi 1.3$ mm

## REVISION HISTORY

rev.	description	date
1.0	initial release	07/30/2007
1.01	applied new spec template	01/21/2016
1.02	increased voltage rating	04/14/2016
1.03	brand update	10/25/2019
1.04	product reengineered for improved manufacturability and production yield, see PCN for details	01/10/2023
1.05	CUI Devices rebranded to Same Sky	09/12/2024

The revision history provided is for informational purposes only and is believed to be accurate.



Same Sky offers a one (1) year limited warranty. Complete warranty information is listed on our website.

Same Sky reserves the right to make changes to the product at any time without notice. Information provided by Same Sky is believed to be accurate and reliable. However, no responsibility is assumed by Same Sky for its use, nor for any infringements of patents or other rights of third parties which may result from its use.

Same Sky products are not authorized or warranted for use as critical components in equipment that requires an extremely high level of reliability. A critical component is any component of a life support device or system whose failure to perform can be reasonably expected to cause the failure of the life support device or system, or to affect its safety or effectiveness.

[sameskydevices.com](https://www.sameskydevices.com)