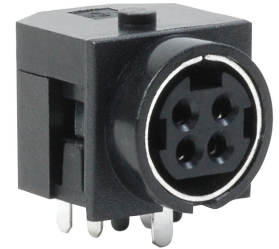


MODEL: PD-40 | **DESCRIPTION:** POWER DIN JACK

FEATURES

- 4 pin power DIN
- through hole
- suitable for high power applications


SPECIFICATIONS

| parameter | conditions/description | min | typ | max | units |
|-----------------------|------------------------|-----|-------|-----|--------|
| rated input voltage | | | 20 | | Vdc |
| rated input current | all pins | | | 7.5 | A |
| contact resistance | at 20 mA, 1 kHz | | | 30 | mΩ |
| insulation resistance | at 250 Vdc | 50 | | | MΩ |
| voltage withstand | for 1 minute | | | 250 | Vac |
| insertion force | | | | 6.5 | kg |
| withdrawal force | | 0.5 | | 6.5 | kg |
| operating temperature | | -40 | | 85 | °C |
| life | | | 1,000 | | cycles |
| flammability rating | UL94V-0 | | | | |
| RoHS | yes | | | | |

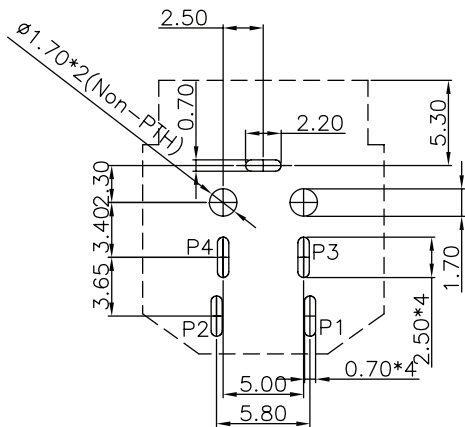
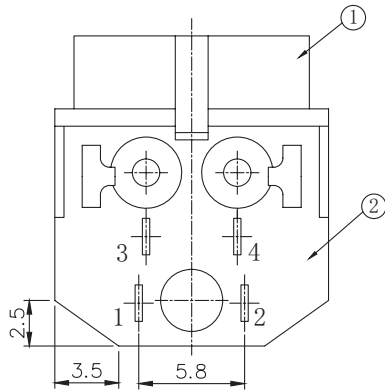
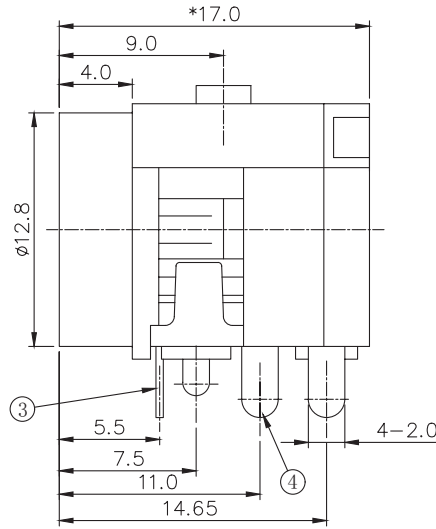
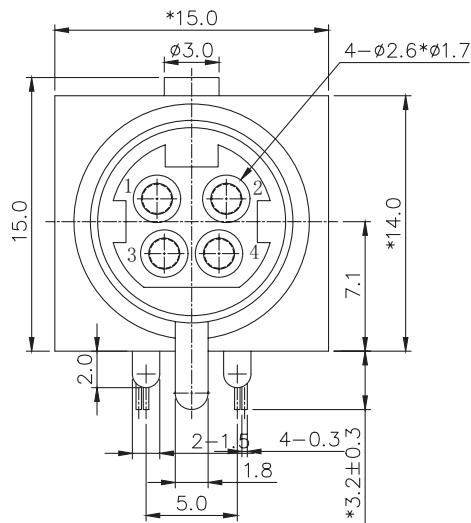
SOLDERABILITY

| parameter | conditions/description | min | typ | max | units |
|----------------|------------------------|-----|-----|-----|-------|
| wave soldering | for max 10 seconds | 235 | | 260 | °C |

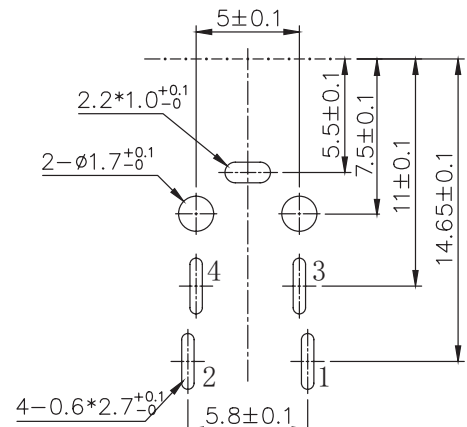
MECHANICAL DRAWING

units: mm
 tolerance: ± 0.3 mm
 unless otherwise noted

| ITEM | DESCRIPTION | MATERIAL | PLATING/COLOR |
|------|----------------|---------------|---------------|
| 1 | body | PBT [UL94V-0] | black |
| 2 | cover | PBT [UL94V-0] | black |
| 3 | earth terminal | brass | tin |
| 4 | terminals | brass | tin |



Recommended PCB Layout
 Top View
 [Date Codes prior to 03/03/2022]



Recommended PCB Layout
 Top View
 [Date Codes after 03/03/2022]

REVISION HISTORY

| rev. | description | date |
|------|-----------------------------------|------------|
| 1.0 | initial release | 11/19/2008 |
| 1.01 | update to tolerance | 09/08/2009 |
| 1.02 | updated housing, brand update | 11/18/2019 |
| 1.03 | updated PCB footprint | 08/11/2020 |
| 1.04 | modified design, changed factory | 02/18/2022 |
| 1.05 | CUI Devices rebranded to Same Sky | 09/12/2024 |

The revision history provided is for informational purposes only and is believed to be accurate.



Same Sky offers a one (1) year limited warranty. Complete warranty information is listed on our website.

Same Sky reserves the right to make changes to the product at any time without notice. Information provided by Same Sky is believed to be accurate and reliable. However, no responsibility is assumed by Same Sky for its use, nor for any infringements of patents or other rights of third parties which may result from its use.

Same Sky products are not authorized or warranted for use as critical components in equipment that requires an extremely high level of reliability. A critical component is any component of a life support device or system whose failure to perform can be reasonably expected to cause the failure of the life support device or system, or to affect its safety or effectiveness.

[sameskydevices.com](https://www.sameskydevices.com)