

MODEL: GF1103 | **DESCRIPTION:** SPEAKER**FEATURES**

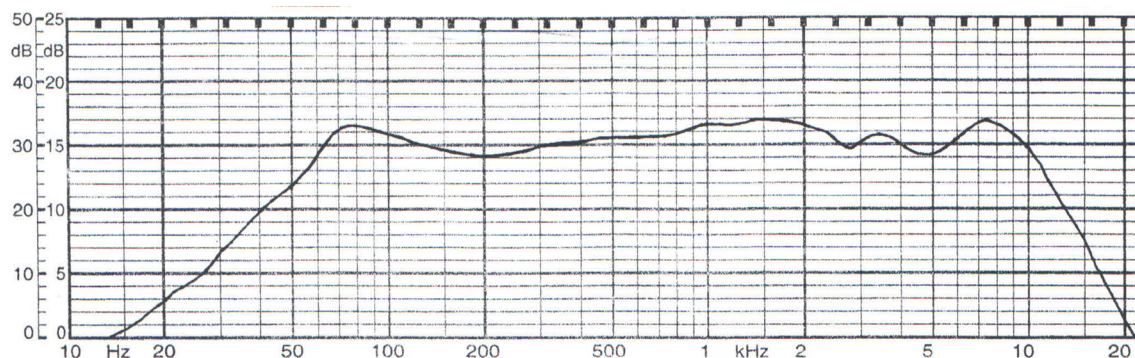
- 114 mm
- square frame
- 25.0 W
- 8 Ohm
- ferrite magnet
- paper cone

**SPECIFICATIONS**

parameter	conditions/description	min	typ	max	units
nominal size			114		mm
impedance	at 400 Hz, 1 V	6.8	8	9.2	Ω
resonant frequency	at Fo, 1 V	64	80	96	Hz
sound pressure level	1 W, 50 cm ave., at 0.3, 0.4, 0.5, 0.6 kHz	87	90	93	dB
response		Fo		15,000	Hz
input power			25	30	W
operation	must be normal at program source		25		W
buzz, rattle, etc.	must be normal at sine wave		10		V
magnet	size: 70 x 32 x 10, Ferrite				mm
load test	24 hours of white noise at		25		W
heat test	20 ~ 50% RH for 24 hours	68	70	72	$^{\circ}$ C
humidity test	90 ~ 95% RH for 24 hours	38	40	42	$^{\circ}$ C
RoHS	yes				

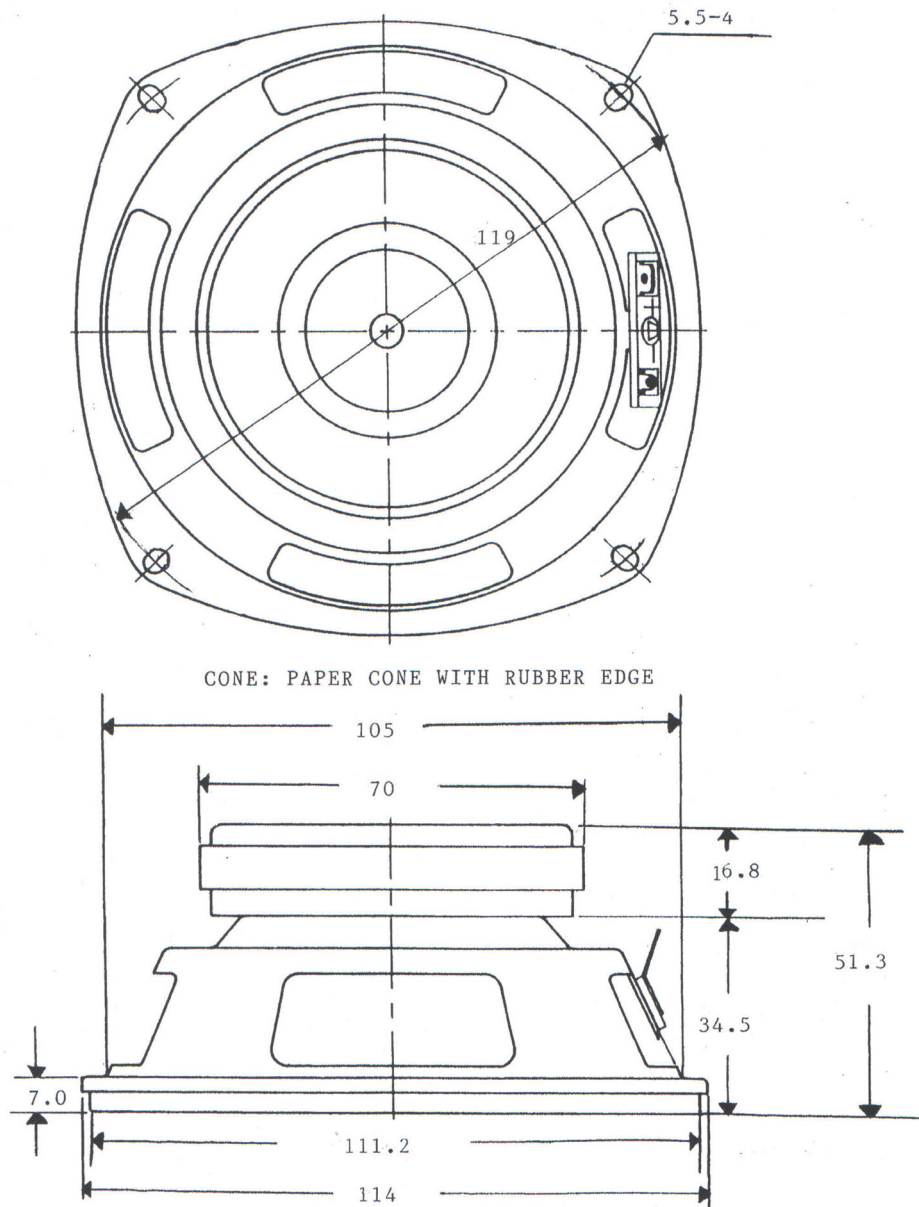
FREQUENCY RESPONSE CURVE

parameter	conditions/description
potentiometer range	50 dB
rectifier	RMS
lower limit frequency	20 Hz
wr. speed	100 mm/sec
zero level	60 dB



MECHANICAL DRAWING

units: mm
tolerance: ± 0.8 mm



REVISION HISTORY

rev.	description	date
1.0	initial release	01/17/2003
1.01	applied new template, updated spec	05/12/2014
1.02	brand update	01/23/2020
1.03	logo, datasheet style update	08/05/2022
1.04	CUI Devices rebranded to Same Sky	09/11/2024

The revision history provided is for informational purposes only and is believed to be accurate.



Same Sky offers a one (1) year limited warranty. Complete warranty information is listed on our website.

Same Sky reserves the right to make changes to the product at any time without notice. Information provided by Same Sky is believed to be accurate and reliable. However, no responsibility is assumed by Same Sky for its use, nor for any infringements of patents or other rights of third parties which may result from its use.

Same Sky products are not authorized or warranted for use as critical components in equipment that requires an extremely high level of reliability. A critical component is any component of a life support device or system whose failure to perform can be reasonably expected to cause the failure of the life support device or system, or to affect its safety or effectiveness.

[sameskydevices.com](https://www.sameskydevices.com)