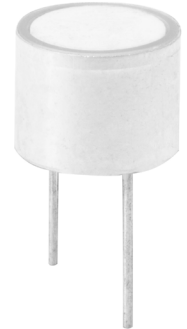


MODEL: CUSA-TR07-01-400-TH67 | **DESCRIPTION:** ULTRASONIC SENSOR**FEATURES**

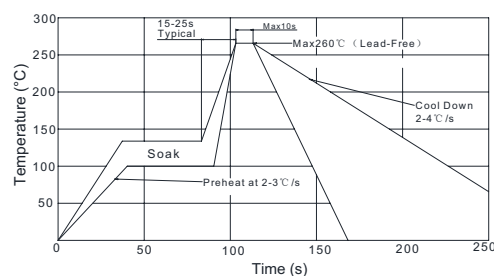
- aluminum can
- IP67 rated
- combination unit: receiver & transmitter
- high frequency

**SPECIFICATIONS**

| parameter | conditions/description | min | typ | max | units |
|-----------------------|-------------------------------|------|------|------|--------|
| type | transmitter/receiver | | | | |
| operating voltage | at 300 kHz | | | 400 | Vp-p |
| frequency | | 285 | 300 | 315 | kHz |
| echo sensitivity | at 0.1 m | 200 | | | mV |
| directivity | at -6 dB | 5 | 7 | 9 | degree |
| capacitance | at 1 kHz | 280 | 400 | 520 | pF |
| detectable range | | 0.05 | | 1.0 | m |
| response time | at 200 Vp-p, 300 kHz | | | 0.29 | ms |
| dimensions | Ø10 x 7.0 | | | | mm |
| material | aluminum | | | | |
| terminal | pins (brass with tin plating) | | | | |
| weight | | | 1.24 | | g |
| operating temperature | | -40 | | 80 | °C |
| storage temperature | | -40 | | 85 | °C |
| RoHS | yes | | | | |
| IP level | IP67 | | | | |

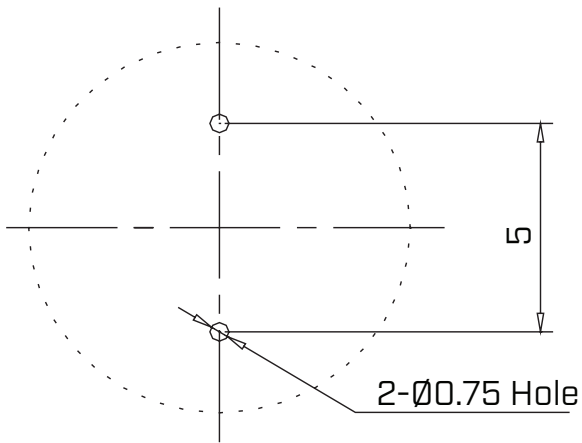
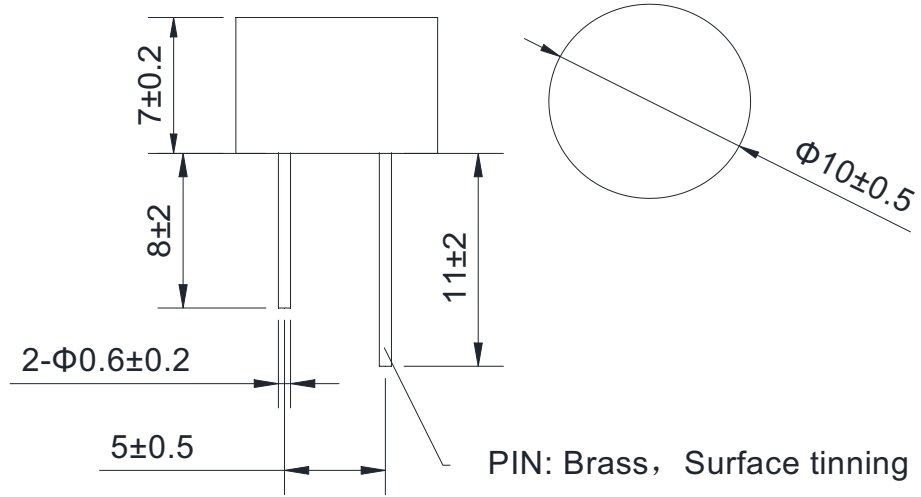
SOLDERABILITY

| parameter | conditions/description | min | typ | max | units |
|----------------|------------------------|-----|-----|-----|-------|
| wave soldering | | | | 260 | °C |

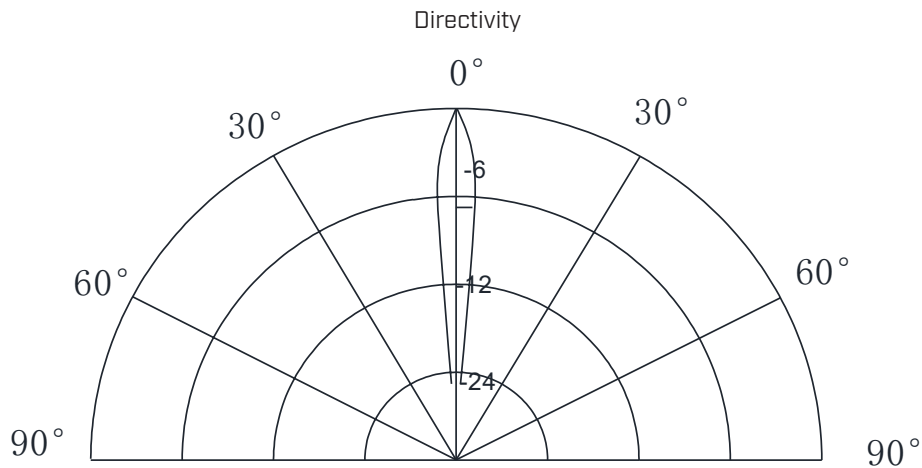


MECHANICAL DRAWING

units: mm



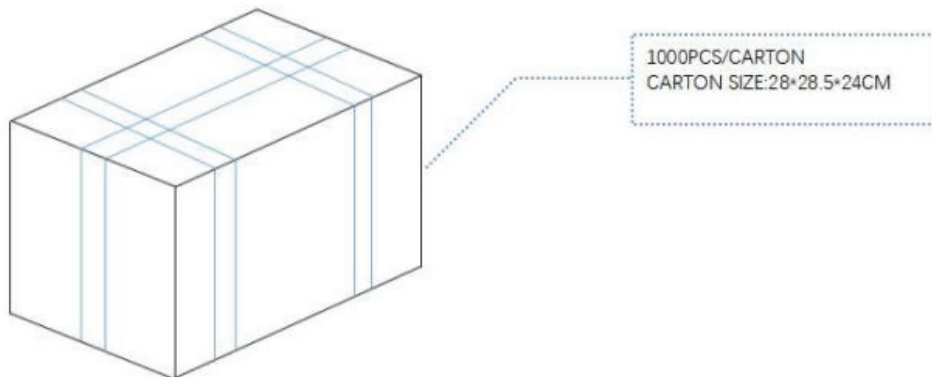
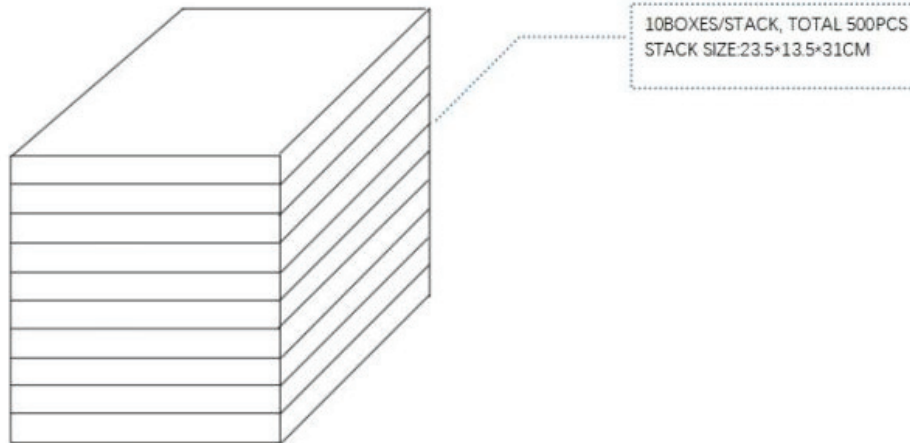
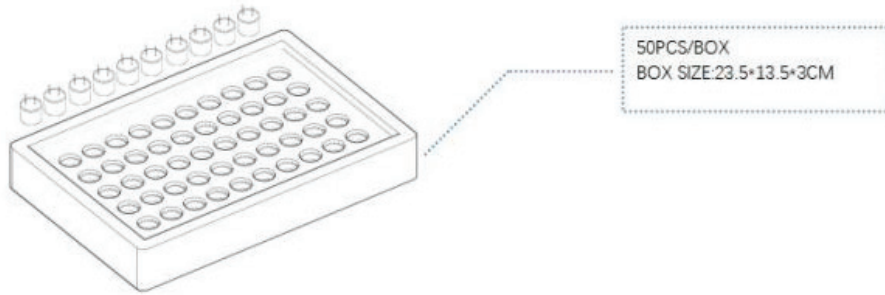
BEAM PATTERNS



PACKAGING

units: mm

Tray Size: 235 x 135 x 30 mm
Tray QTY: 50 pcs per tray
Carton Size: 280 x 285 x 240 mm
Carton QTY: 1,000 pcs per carton



REVISION HISTORY

| rev. | description | date |
|------|-----------------------------------|------------|
| 1.0 | initial release | 05/24/2022 |
| 1.01 | logo, datasheet style update | 08/05/2022 |
| 1.02 | CUI Devices rebranded to Same Sky | 09/12/2024 |

The revision history provided is for informational purposes only and is believed to be accurate.



Same Sky offers a one (1) year limited warranty. Complete warranty information is listed on our website.

Same Sky reserves the right to make changes to the product at any time without notice. Information provided by Same Sky is believed to be accurate and reliable. However, no responsibility is assumed by Same Sky for its use, nor for any infringements of patents or other rights of third parties which may result from its use.

Same Sky products are not authorized or warranted for use as critical components in equipment that requires an extremely high level of reliability. A critical component is any component of a life support device or system whose failure to perform can be reasonably expected to cause the failure of the life support device or system, or to affect its safety or effectiveness.

[sameskydevices.com](https://www.sameskydevices.com)