

SERIES: CRJ010 | **DESCRIPTION:** MODULAR JACK**FEATURES**

- 8P8C (RJ45)
- integrated magnetics
- 10/100 BaseT
- LED
- shielded

**SPECIFICATIONS**

| parameter | conditions/description | min | typ | max | units |
|----------------------------|---|-----|-------|------|--------|
| rated voltage | | | | 150 | Vac |
| rated current | | | | 1.5 | A |
| withstanding voltage | for 1 minute | | 1,500 | | Vac |
| contact resistance | | | | 40 | mΩ |
| insulation resistance | | 500 | | | MΩ |
| insertion/withdrawal force | | | | 6.12 | kgf |
| operating temperature | | 0 | | 70 | °C |
| storage temperature | | -40 | | 80 | °C |
| life | | | 1,000 | | cycles |
| flammability rating | UL94V-0 | | | | |
| RoHS | yes | | | | |
| packaging | carton size: 400 x 303 x 258 mm tray QTY: 120 pcs per tray carton QTY: 1,200 pcs per carton | | | | |

SOLDERABILITY

| parameter | conditions/description | min | typ | max | units |
|----------------|------------------------|-----|-----|-----|-------|
| wave soldering | for maximum 5 seconds | | | 240 | °C |

PART NUMBER KEY

CRJ010 - ML X - TH

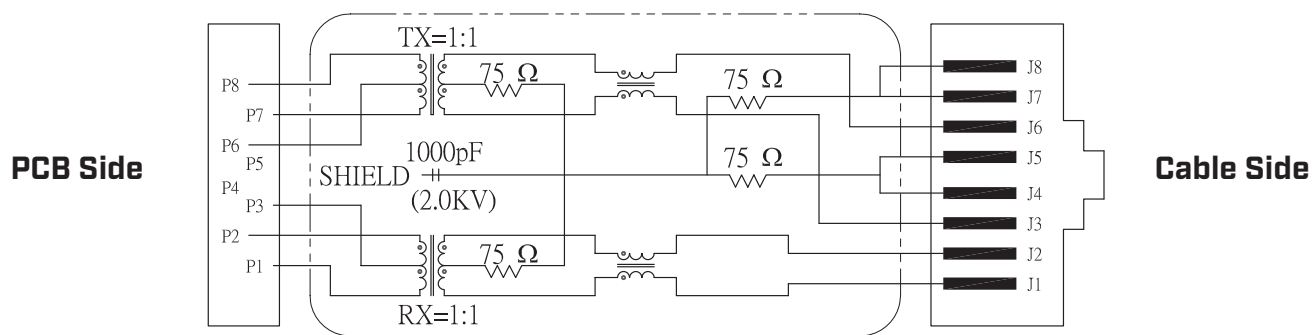
Base Number

Contact Plating
Thickness (gold):
1 = 6 μ"
3 = 30 μ"
4 = 50 μ"

MAGNETIC SPECIFICATIONS (AT 25°C)

| parameter | conditions/description | min | typ | max | units |
|-----------------------|--|-------|-----|------|-------|
| turns ratio | at 100 kHz, 0.1 V P1-P2 : J1-J2 = 1:1 [±5%] P3-P4 : J3-J6 = 1:1 [±5%] P7-P8 : J4-J5 = 1:1 [±5%] P9-P10 : J7-J8 = 1:1 [±5%] | | | | |
| OCL | at 100 kHz, 0.1 V, 8 mA DC | 350 | | | μH |
| insertion loss | at 1.0~100 MHz | | | -1.0 | dB |
| | at 100~125 MHz | | | -1.2 | dB |
| return loss | at 1~30 MHz | -18 | | | dB |
| | at 30~60 MHz | -16 | | | dB |
| | at 60~80 MHz | -12 | | | dB |
| | at 80~100 MHz | -10 | | | dB |
| crosstalk | at 1~100 MHz | -30 | | | dB |
| common mode rejection | at 1~100 MHz | -30 | | | dB |
| hipot | input to output for 1 minute, 1 mA | 1,500 | | | Vac |

SCHEMATIC

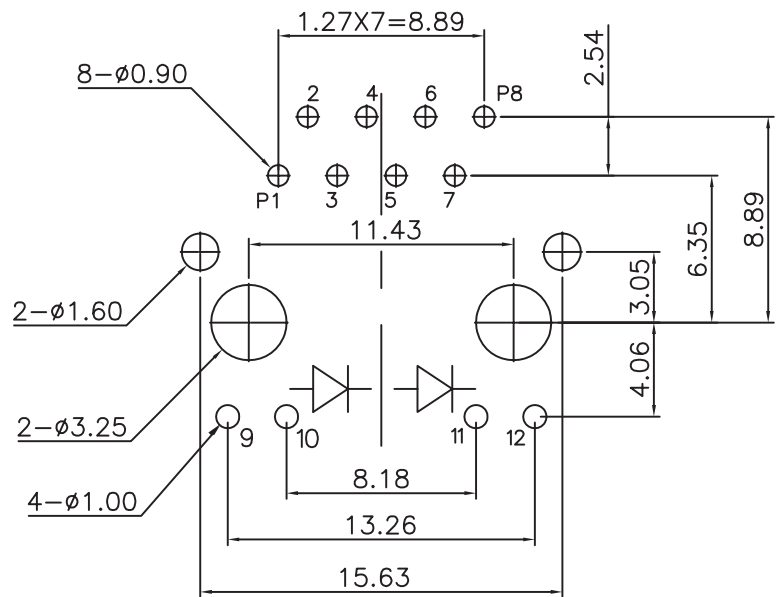
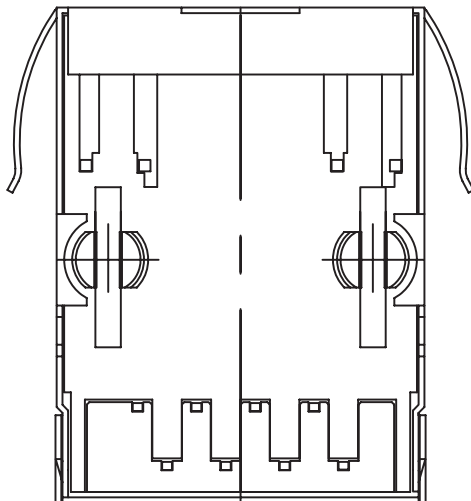
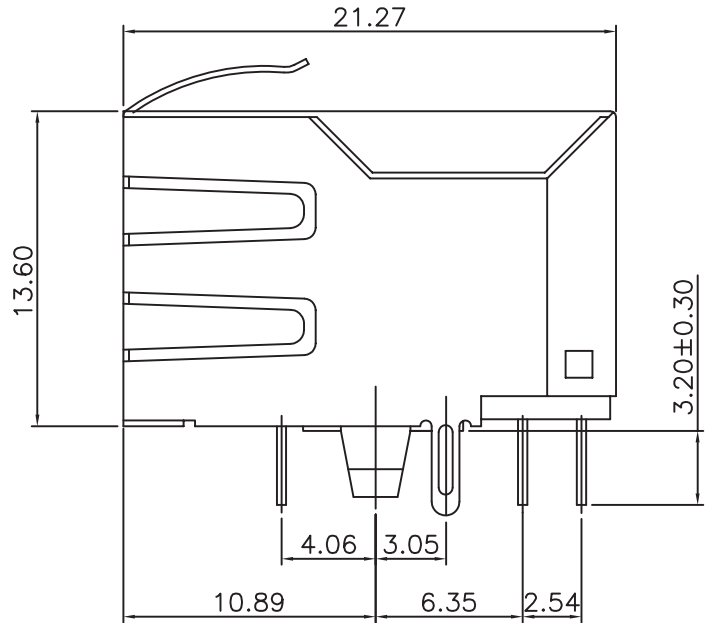
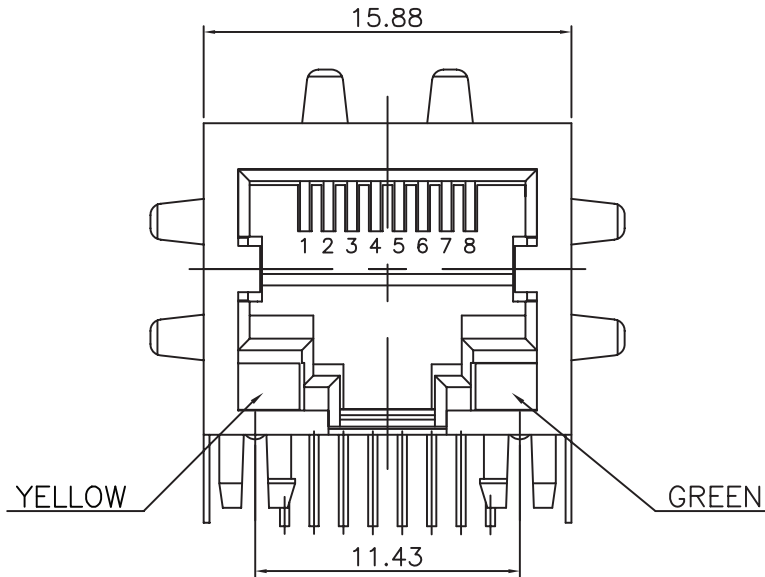


| LED COLOR | WAVELENGTH | FORWARD VOLTAGE at IF 20 mA |
|-----------|------------|-----------------------------|
| Green | 565-575 nm | 2.5 V max |
| Yellow | 585-595 nm | 2.5 V max |

MECHANICAL DRAWING

units: mm
 tolerance:
 X ±0.5 mm
 X.X ±0.38 mm
 X.XX ±0.25 mm
 X.XXX ±0.10 mm
 PCB: ±0.05 mm
 PCB thickness: 1.6 mm
 unless otherwise noted

| ITEM | DESCRIPTION | MATERIAL | PLATING/COLOR |
|------|-------------------|-----------------|--|
| 1 | insulator | PBT (UL94V-0) | black |
| 2 | contact terminals | phosphor bronze | contact area: gold over nickel solder area: matte tin over nickel |
| 3 | shield | brass | nickel alloy |



Recommended PCB Layout
Top View

REVISION HISTORY

| rev. | description | date |
|------|-----------------------------------|------------|
| 1.0 | initial release | 03/31/2021 |
| 1.01 | logo, datasheet style update | 08/05/2022 |
| 1.02 | CUI Devices rebranded to Same Sky | 09/12/2024 |

The revision history provided is for informational purposes only and is believed to be accurate.



Same Sky offers a one (1) year limited warranty. Complete warranty information is listed on our website.

Same Sky reserves the right to make changes to the product at any time without notice. Information provided by Same Sky is believed to be accurate and reliable. However, no responsibility is assumed by Same Sky for its use, nor for any infringements of patents or other rights of third parties which may result from its use.

Same Sky products are not authorized or warranted for use as critical components in equipment that requires an extremely high level of reliability. A critical component is any component of a life support device or system whose failure to perform can be reasonably expected to cause the failure of the life support device or system, or to affect its safety or effectiveness.

[sameskydevices.com](https://www.sameskydevices.com)