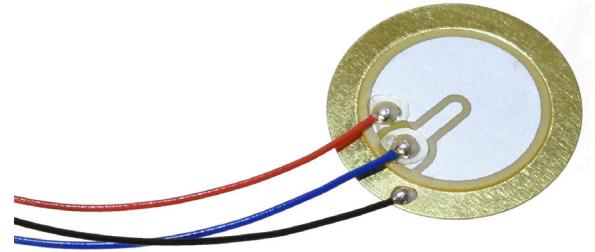


**MODEL:** CPT-2064-L100 | **DESCRIPTION:** PIEZOELECTRIC DIAPHRAGM**FEATURES**

- 100 mm lead wire
- piezo element
- externally driven

**SPECIFICATIONS**

| parameter                 | conditions/description       | min   | typ    | max    | units              |
|---------------------------|------------------------------|-------|--------|--------|--------------------|
| operating voltage         |                              |       |        | 30     | Vp-p               |
| resonant frequency        |                              | 5,900 | 6,400  | 6,900  | Hz                 |
| resonant impedance        |                              |       |        | 400    | $\Omega$           |
| electrostatic capacitance | at 120 Hz                    | 7,000 | 10,000 | 13,000 | pF                 |
| dimensions                | $\varnothing 20 \times 0.43$ |       |        |        | mm                 |
| weight                    |                              |       | 0.5    |        | g                  |
| material                  | brass                        |       |        |        |                    |
| terminal                  | wire leads                   |       |        |        |                    |
| operating temperature     |                              | -20   |        | 60     | $^{\circ}\text{C}$ |
| storage temperature       |                              | -20   |        | 70     | $^{\circ}\text{C}$ |
| RoHS                      | yes                          |       |        |        |                    |

Notes: 1. All specifications measured at 25 $\pm$ 3 $^{\circ}\text{C}$ , humidity at 60-70%, under 86-106 kPa pressure, unless otherwise noted.

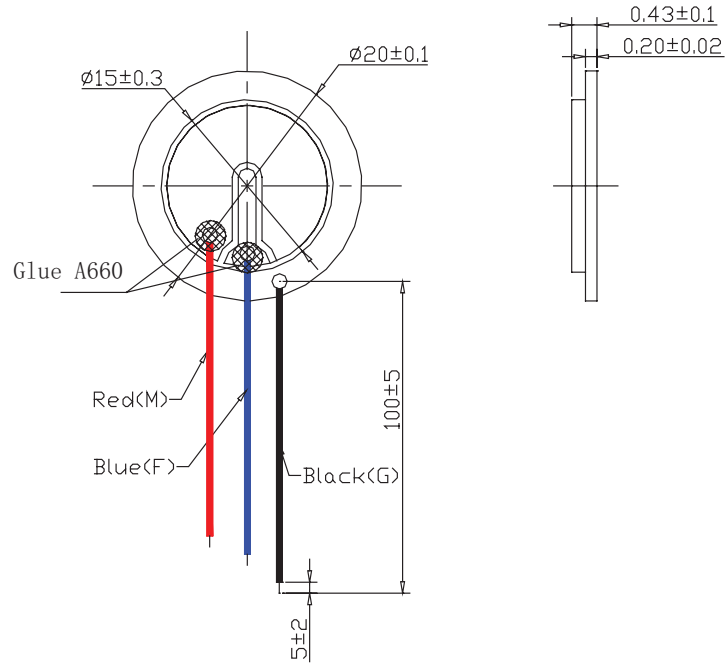
**SOLDERABILITY**

| parameter      | conditions/description | min | typ | max | units              |
|----------------|------------------------|-----|-----|-----|--------------------|
| hand soldering | for 3 seconds          | 370 | 380 | 390 | $^{\circ}\text{C}$ |

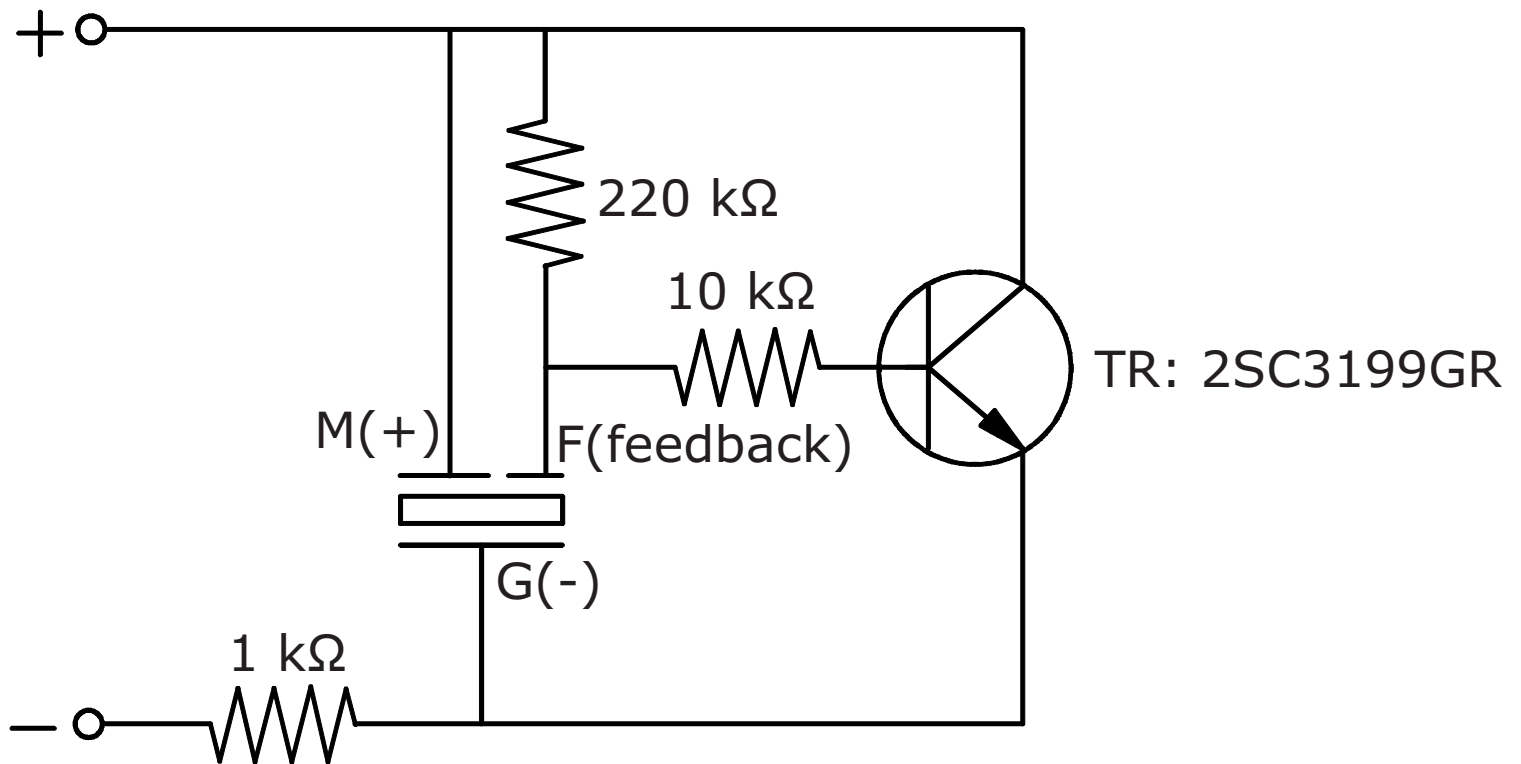
## MECHANICAL DRAWING

units: mm  
tolerance:  $\pm 0.5$  mm

wire: UL 1571 32 AWG



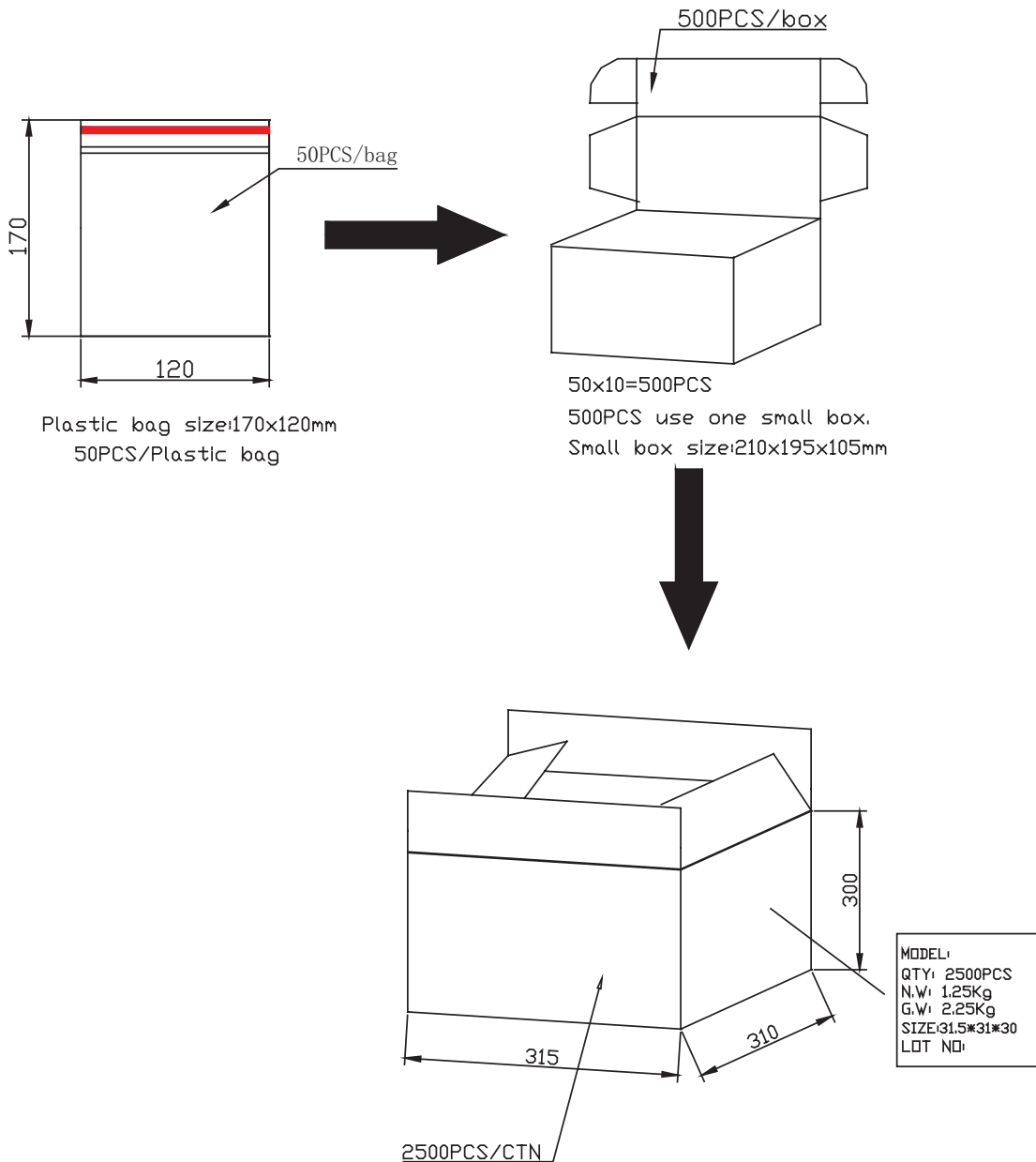
## APPLICATION CIRCUIT



## PACKAGING

units: mm

Carton Size: 315 x 310 x 300 mm  
Carton QTY: 2,500 pcs per carton



## REVISION HISTORY

| rev. | description                       | date       |
|------|-----------------------------------|------------|
| 1.0  | initial release                   | 07/15/2019 |
| 1.01 | brand update                      | 01/03/2020 |
| 1.02 | logo, datasheet style update      | 08/05/2022 |
| 1.03 | CUI Devices rebranded to Same Sky | 09/11/2024 |

The revision history provided is for informational purposes only and is believed to be accurate.



Same Sky offers a one (1) year limited warranty. Complete warranty information is listed on our website.

Same Sky reserves the right to make changes to the product at any time without notice. Information provided by Same Sky is believed to be accurate and reliable. However, no responsibility is assumed by Same Sky for its use, nor for any infringements of patents or other rights of third parties which may result from its use.

Same Sky products are not authorized or warranted for use as critical components in equipment that requires an extremely high level of reliability. A critical component is any component of a life support device or system whose failure to perform can be reasonably expected to cause the failure of the life support device or system, or to affect its safety or effectiveness.

[sameskydevices.com](https://www.sameskydevices.com)