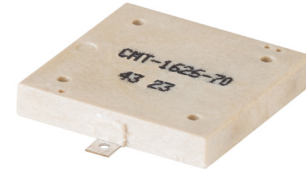
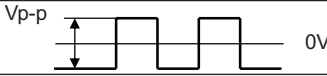


MODEL: CPT-1626-70-SMT-TR | **DESCRIPTION:** PIEZO BUZZER TRANSDUCER

FEATURES

- piezo
- low profile
- tape and reel

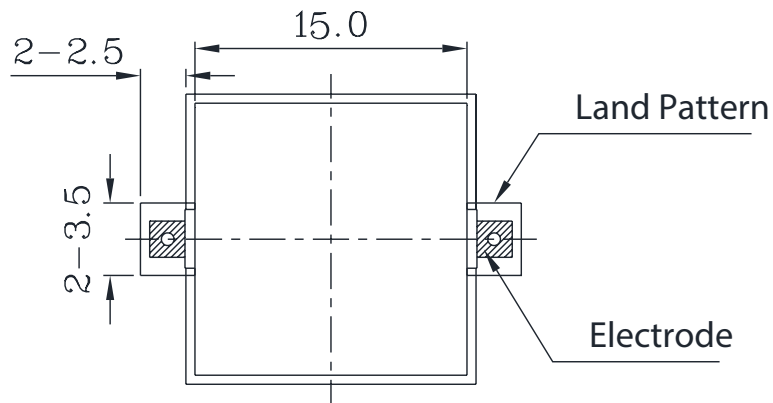
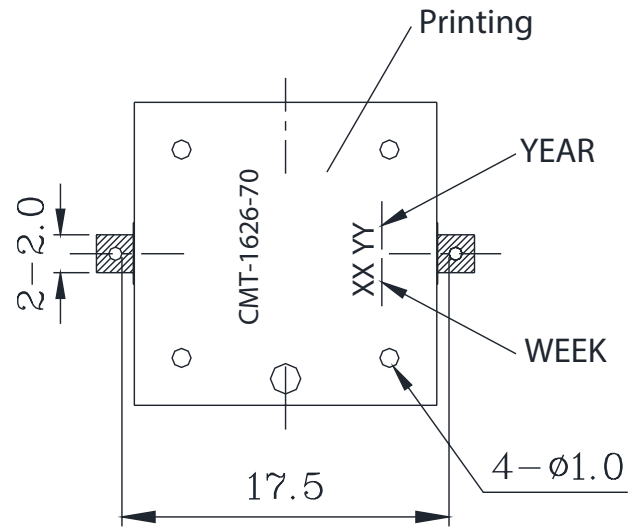
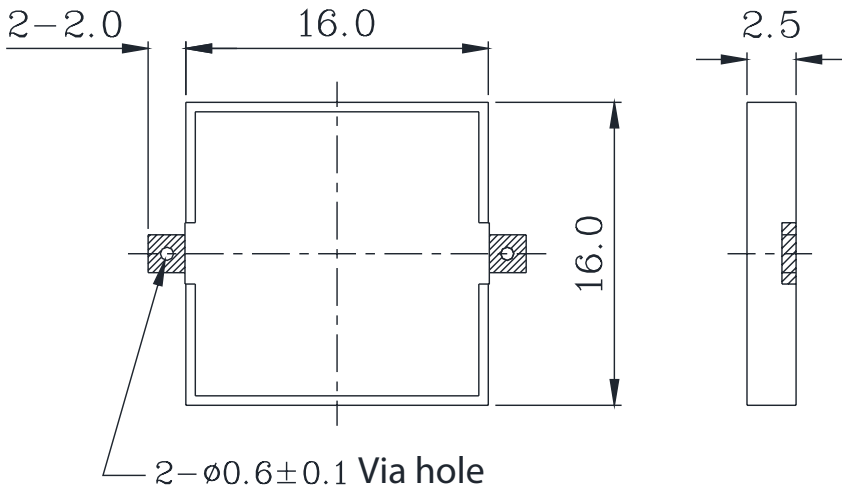
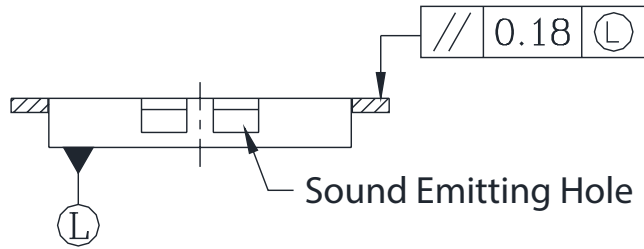

SPECIFICATIONS

parameter	conditions/description	min	typ	max	units
rated voltage	Vp-p 		3		Vp-p
operating voltage				25	Vp-p
current consumption	at rated voltage, 4,000 Hz, square wave			25	mA
rated frequency			4,000		Hz
sound pressure level	at 10 cm, rated voltage, 4,000 Hz, ½ duty square wave	78			dB
electrostatic capacitance	at 100 Hz, 1 V	11,200	16,000	20,800	pF
dimensions	16.0 x 16.0 x 2.5				mm
weight				0.8	g
material	LCP (white)				
terminal	surface mount (tin plating)				
operating temperature		-40		70	°C
storage temperature		-40		85	°C
washable	no				
RoHS	yes				

Notes: 1. All specifications measured at 5-35 °C, humidity at 45-85%, under 86-106 kPa pressure, unless otherwise noted.

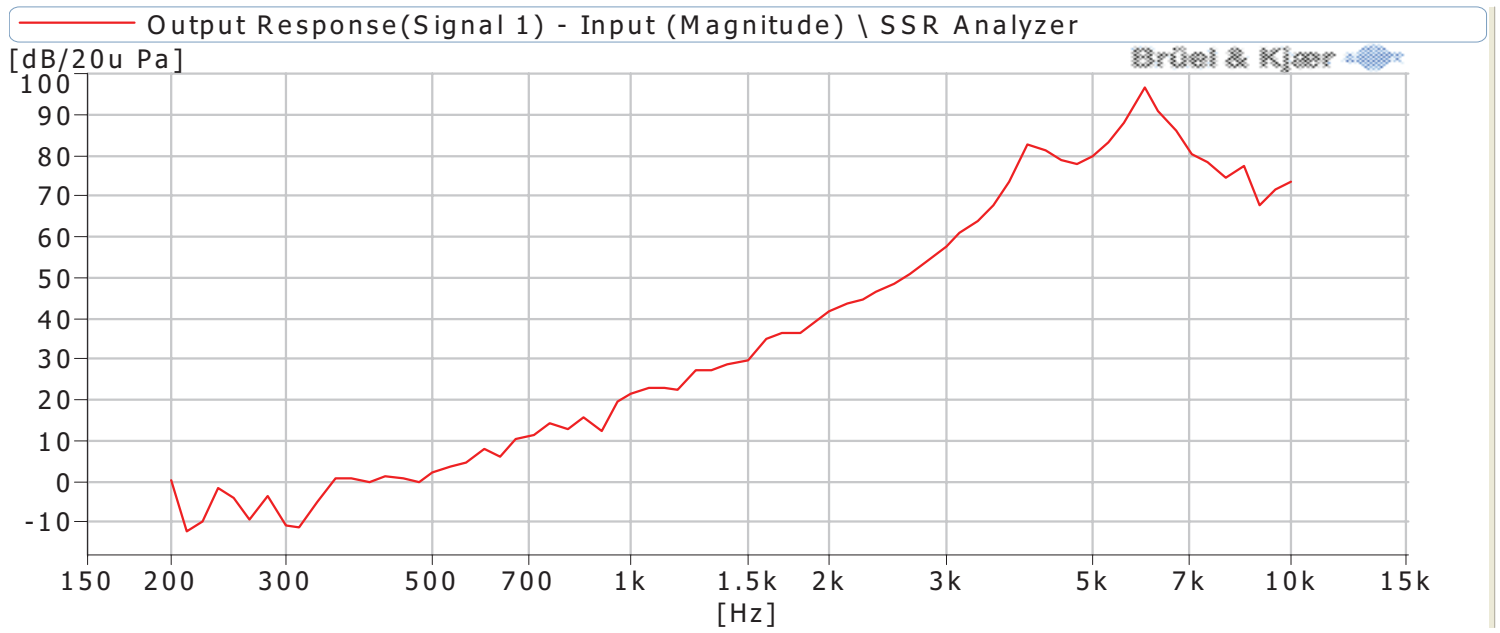
MECHANICAL DRAWING

units: mm
tolerance: ± 0.2 mm



Recommended PCB Layout
Top View

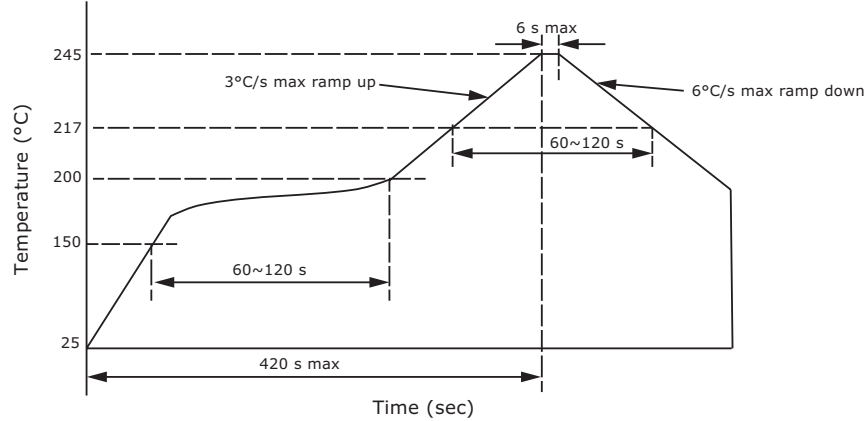
FREQUENCY RESPONSE CURVE



SOLDERABILITY

parameter	conditions/description	min	typ	max	units
reflow soldering ⁴	as per IPC/JEDEC J-STD-020C		240	245	°C
drying conditions ⁵	bake at 40°C for 24 hours				

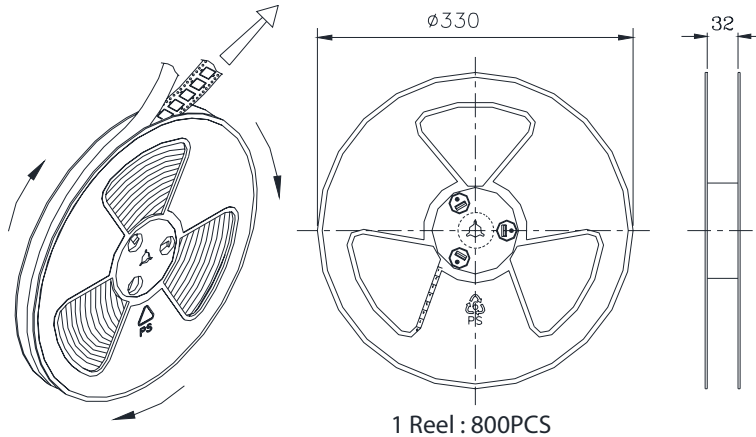
- Note:
- Not suitable for wash process.
 - It is recommended to reflow solder only once.
 - It is recommended to reflow solder within 48 hours from opening vacuum packaging at a temperature <30°C & relative humidity <60%.
 - When out of packaging for more than 48 hours.



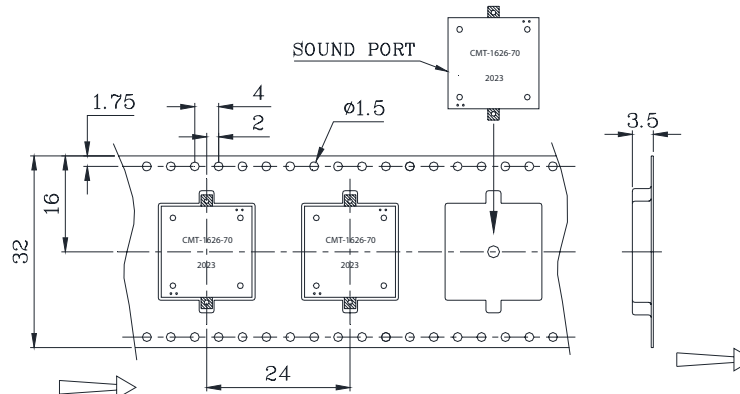
PACKAGING

parameter	conditions/description	min	typ	max	units
reel storage ⁶	at relative humidity 15~85%	-10		40	°C
MSL	Class 5				
reel QTY	800				
carton QTY	6,400				

- Note:
- Recommended floor life (out of sealed bag) at <30°C, 60%RH is 48 hours.



1 Reel : 800PCS



REVISION HISTORY

rev.	description	date
1.0	initial release	12/19/2023
1.01	CUI Devices rebranded to Same Sky	09/11/2024

The revision history provided is for informational purposes only and is believed to be accurate.



Same Sky offers a one (1) year limited warranty. Complete warranty information is listed on our website.

Same Sky reserves the right to make changes to the product at any time without notice. Information provided by Same Sky is believed to be accurate and reliable. However, no responsibility is assumed by Same Sky for its use, nor for any infringements of patents or other rights of third parties which may result from its use.

Same Sky products are not authorized or warranted for use as critical components in equipment that requires an extremely high level of reliability. A critical component is any component of a life support device or system whose failure to perform can be reasonably expected to cause the failure of the life support device or system, or to affect its safety or effectiveness.

[sameskydevices.com](https://www.sameskydevices.com)