

**MODEL:** CPE-750PA | **DESCRIPTION:** PIEZO BUZZER INDICATOR

**FEATURES**

- through-hole pins
- threaded body
- 12 Vdc rating
- 98 dB
- 3.6 kHz rated frequency

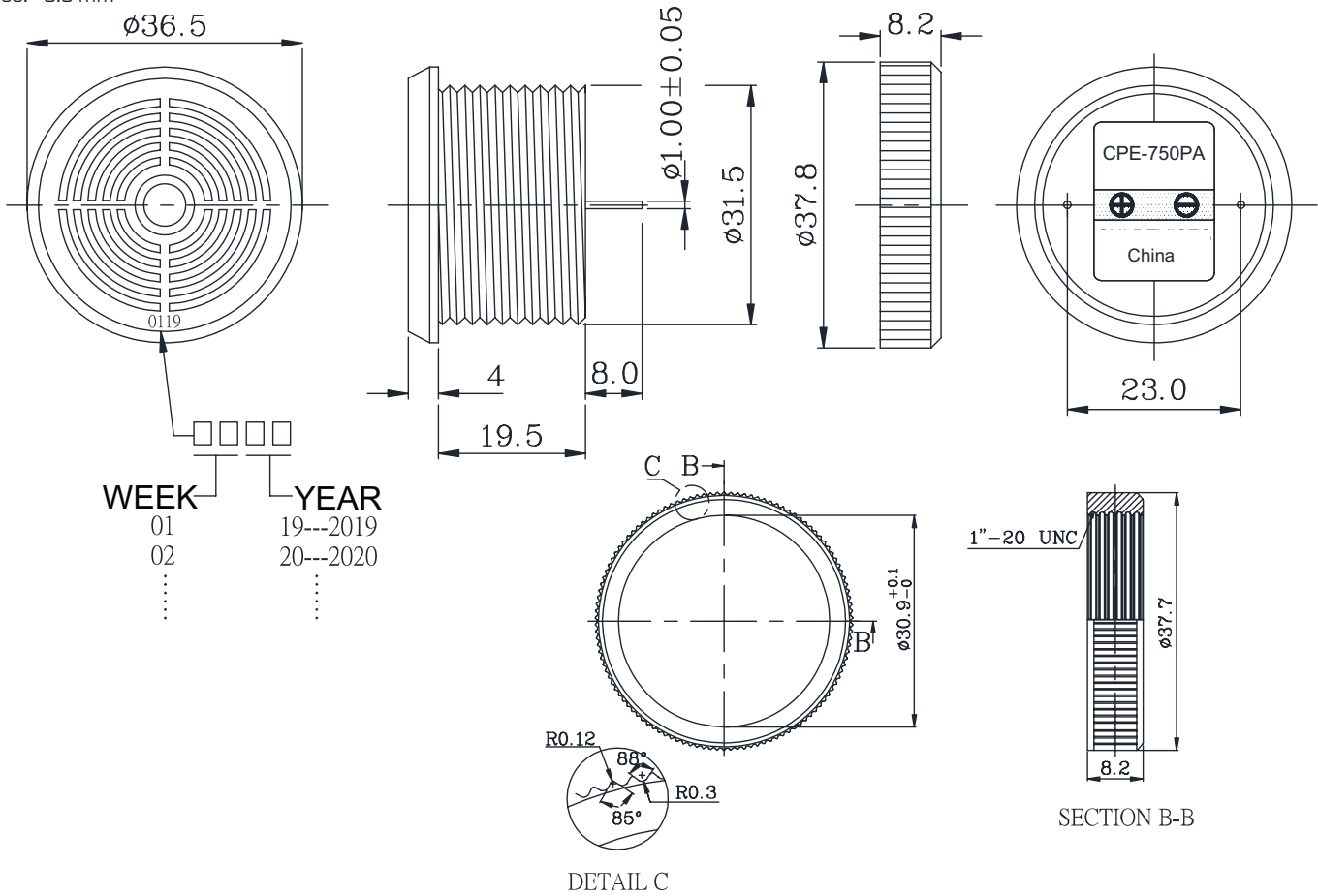

**SPECIFICATIONS**

| parameter             | conditions/description    | min   | typ   | max   | units |
|-----------------------|---------------------------|-------|-------|-------|-------|
| rated voltage         |                           |       | 12    |       | Vdc   |
| operating voltage     |                           | 0.7   |       | 15    | Vdc   |
| current consumption   | at rated voltage          |       | 12    | 20    | mA    |
| rated frequency       |                           | 3,100 | 3,600 | 4,100 | Hz    |
| sound pressure level  | at 30 cm, rated voltage   | 98    | 106   |       | dB    |
| tone                  | continuous                |       |       |       |       |
| dimensions            | ∅37.8 x 23.5              |       |       |       | mm    |
| weight                |                           |       |       | 18.5  | g     |
| material              | ABS UL94 1/16" HB (grey)  |       |       |       |       |
| terminal              | solder pins (tin plating) |       |       |       |       |
| operating temperature |                           | -30   |       | 80    | °C    |
| storage temperature   |                           | -40   |       | 80    | °C    |
| hand soldering        | maximum 3 seconds         | 330   | 350   | 370   | °C    |
| RoHS                  | yes                       |       |       |       |       |

Notes: 1. All specifications measured at 5-35°C, humidity at 45-85%, under 86-106kPa pressure, unless otherwise noted.

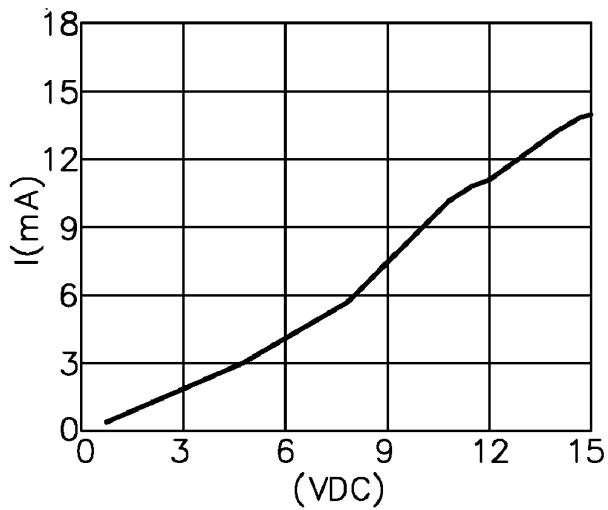
## MECHANICAL DRAWING

units: mm  
tolerance: ±0.5 mm

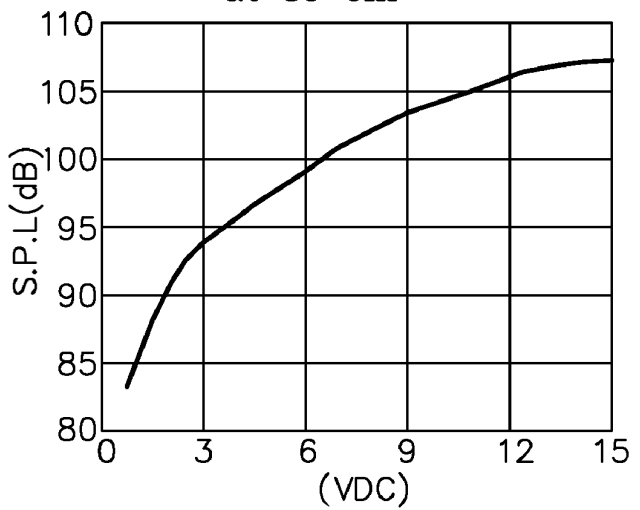


## PERFORMANCE CURVES

Voltage vs. Current Consumption



Voltage vs. Sound Pressure Level at 30 cm



## REVISION HISTORY

| rev. | description                       | date       |
|------|-----------------------------------|------------|
| 1.0  | initial release                   | 11/12/2007 |
| 1.01 | brand update                      | 05/12/2020 |
| 1.02 | logo, datasheet style update      | 08/05/2022 |
| 1.03 | CUI Devices rebranded to Same Sky | 09/11/2024 |

The revision history provided is for informational purposes only and is believed to be accurate.



Same Sky offers a one (1) year limited warranty. Complete warranty information is listed on our website.

Same Sky reserves the right to make changes to the product at any time without notice. Information provided by Same Sky is believed to be accurate and reliable. However, no responsibility is assumed by Same Sky for its use, nor for any infringements of patents or other rights of third parties which may result from its use.

Same Sky products are not authorized or warranted for use as critical components in equipment that requires an extremely high level of reliability. A critical component is any component of a life support device or system whose failure to perform can be reasonably expected to cause the failure of the life support device or system, or to affect its safety or effectiveness.

[sameskydevices.com](https://www.sameskydevices.com)