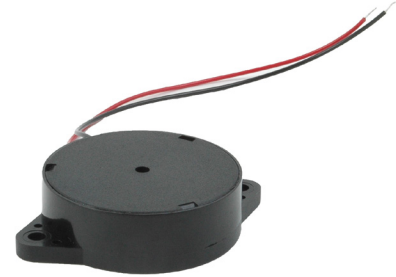


MODEL: CPE-6080 | DESCRIPTION: PIEZO BUZZER TRANSDUCER

FEATURES

- piezo transducer wire leads
- 80 dB SPL
- 800 Hz rated frequency



SPECIFICATIONS

parameter	conditions/description	min	typ	max	units
operating voltage				40	Vp-p
current consumption	at 10 Vp-p, 800 Hz square wave			10	mA
rated frequency			800		Hz
sound pressure level	at 10 cm, 10 Vp-p, 800 Hz square wave	80			dB
electrostatic capacity	at 120 Hz/1 V	49,000	70,000	91,000	pF
dimensions	Ø44.0 x 14.0				mm
weight				12	g
material	PA-777D (black)				
terminal	wire leads				
operating temperature		-30		80	°C
storage temperature		-40		80	°C
RoHS	yes				

Notes: 1. All specifications measured at 5-35°C, humidity at 45-85%, under 86-106kPa pressure, unless otherwise noted.

SOLDERABILITY

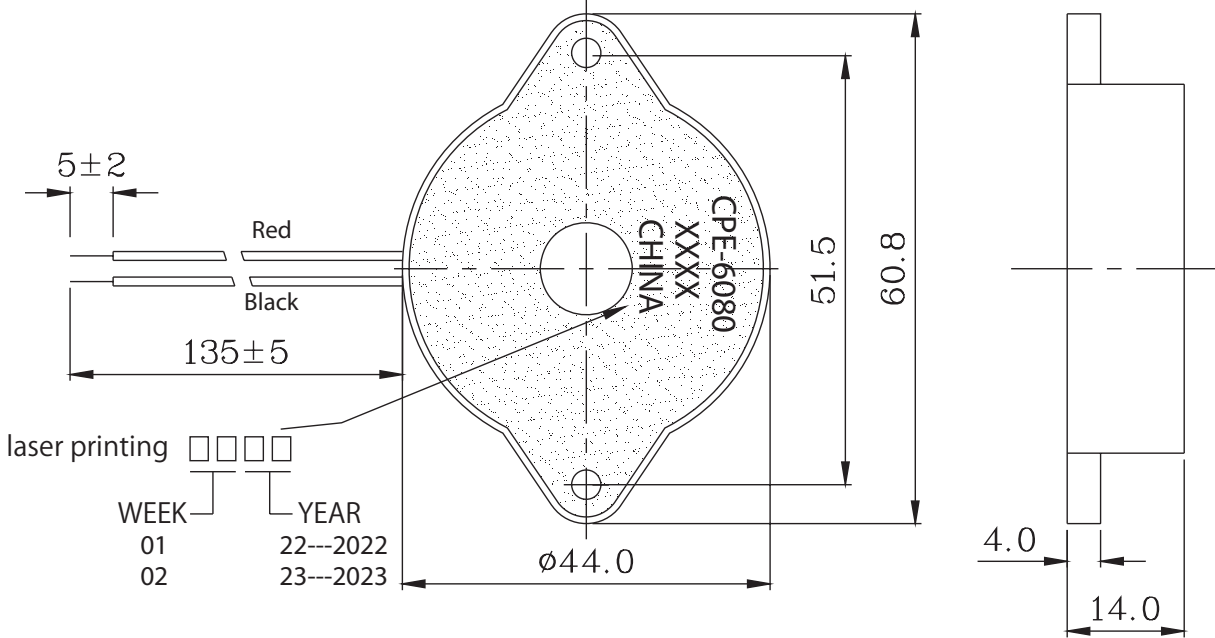
parameter	conditions/description	min	typ	max	units
hand soldering	for 2 ± 0.5 seconds	280	290	300	°C

MECHANICAL DRAWING

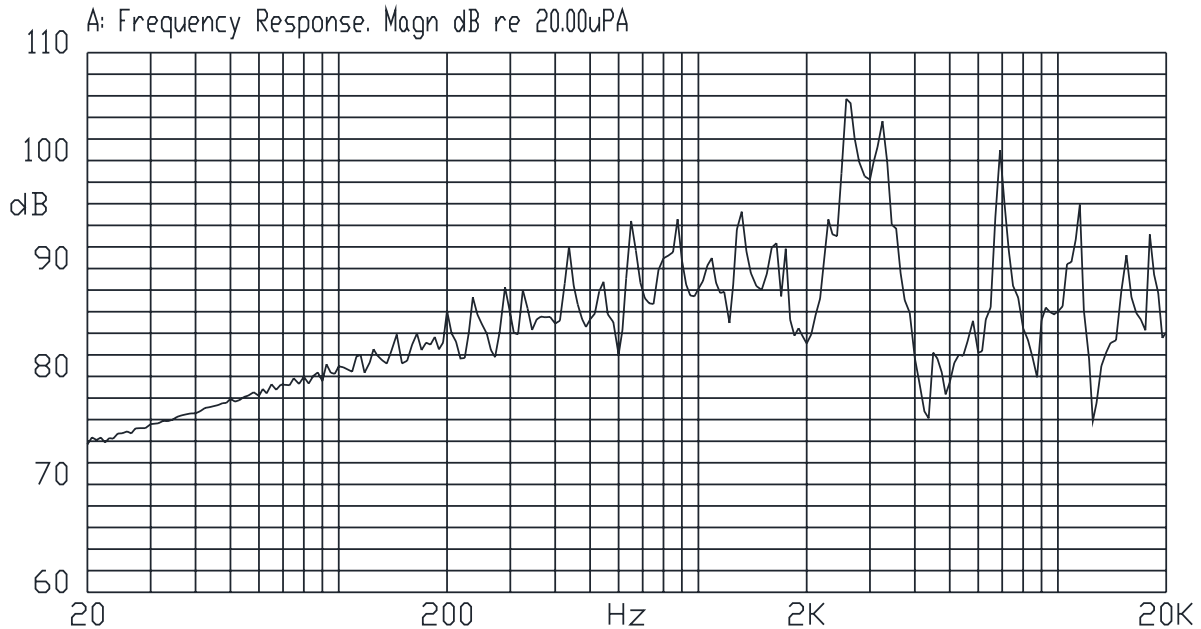
units: mm

tolerance: ± 0.5 mm

wire: UL1007 28 AWG



FREQUENCY RESPONSE CURVE



REVISION HISTORY

rev.	description	date
1.0	initial release	06/01/2010
1.01	brand update	04/28/2020
1.02	logo, datasheet style update	08/05/2022
1.03	changed internal piezo element	06/01/2023
1.04	CUI Devices rebranded to Same Sky	09/11/2024

The revision history provided is for informational purposes only and is believed to be accurate.



Same Sky offers a one (1) year limited warranty. Complete warranty information is listed on our website.

Same Sky reserves the right to make changes to the product at any time without notice. Information provided by Same Sky is believed to be accurate and reliable. However, no responsibility is assumed by Same Sky for its use, nor for any infringements of patents or other rights of third parties which may result from its use.

Same Sky products are not authorized or warranted for use as critical components in equipment that requires an extremely high level of reliability. A critical component is any component of a life support device or system whose failure to perform can be reasonably expected to cause the failure of the life support device or system, or to affect its safety or effectiveness.

[sameskydevices.com](https://www.sameskydevices.com)