


**MODEL:** CMT-1411R-SMT-TR | **DESCRIPTION:** MAGNETIC BUZZER TRANSDUCER

**FEATURES**

- externally driven
- SMT
- 93 dB SPL


**SPECIFICATIONS**

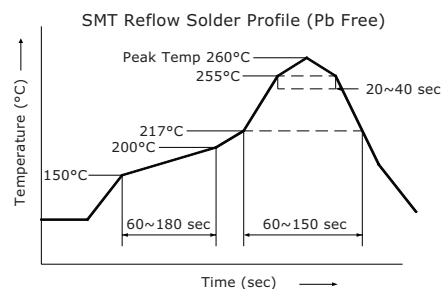
parameter	conditions/description	min	typ	max	units
rated voltage	$V_{o-p}$ 		5.0		$V_{o-p}$
operating voltage		4.0		7.0	$V_{o-p}$
current consumption	at rated voltage, 3,200 Hz square wave, 1/2 duty			90	mA
rated frequency			3,200		Hz
sound pressure level	at 10 cm (A-weight), rated voltage, 3,200 Hz square wave, 1/2 duty	87	93		dBA
coil resistance		36.5	43.0	49.5	$\Omega$
dimensions	14.0 x 11.0 x 3.0				mm
weight			0.9		g
material	LCP				
terminal	SMT type (Sn plating)				
operating temperature		-40		85	$^{\circ}\text{C}$
storage temperature		-50		85	$^{\circ}\text{C}$
RoHS	yes				

Notes: 1. All specifications measured at 5-35 $^{\circ}\text{C}$ , humidity at 45-85%, under 86-106 kPa pressure, unless otherwise noted.

**SOLDERABILITY**

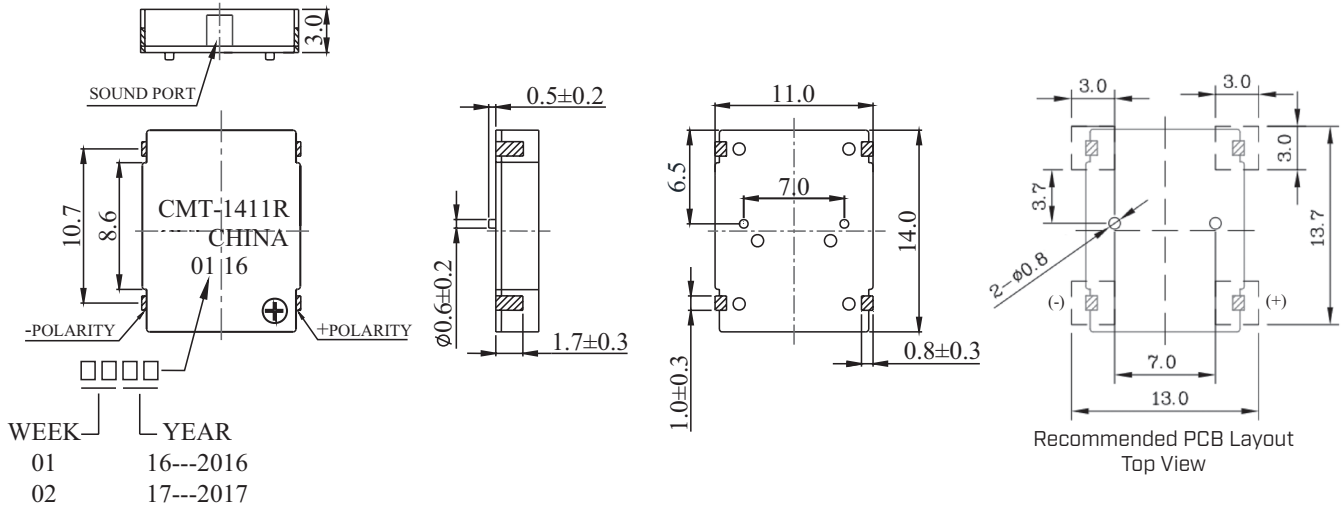
parameter	conditions/description	min	typ	max	units
reel storage	at relative humidity <40%			25	$^{\circ}\text{C}$
reflow soldering <sup>2</sup>	see recommended reflow soldering profile			260	$^{\circ}\text{C}$
drying conditions <sup>3</sup>	bake at 40 $^{\circ}\text{C}$ for 24 hours				

Notes: 2. It is recommended to reflow solder within 48 hours from opening vacuum packaging at a temperature <30 $^{\circ}\text{C}$  & relative humidity <60%.  
3. When out of packaging for more than 48 hours.

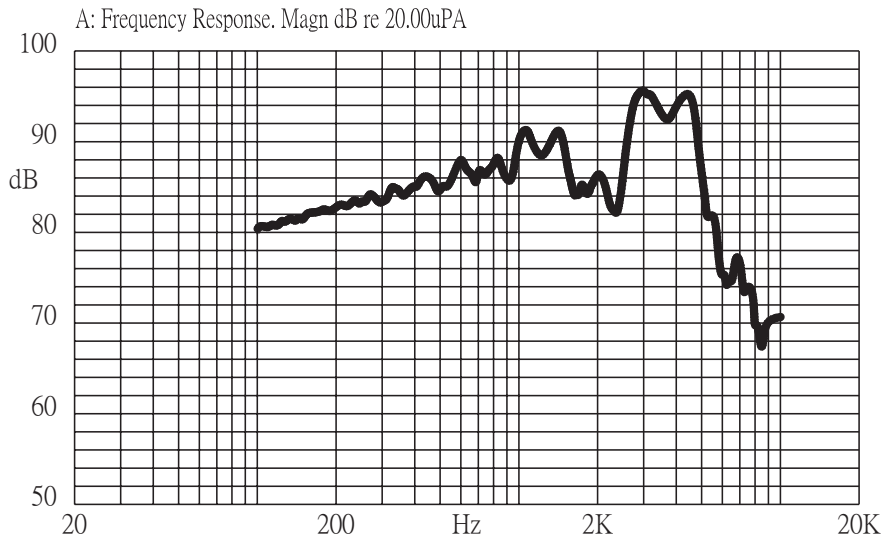


## MECHANICAL DRAWING

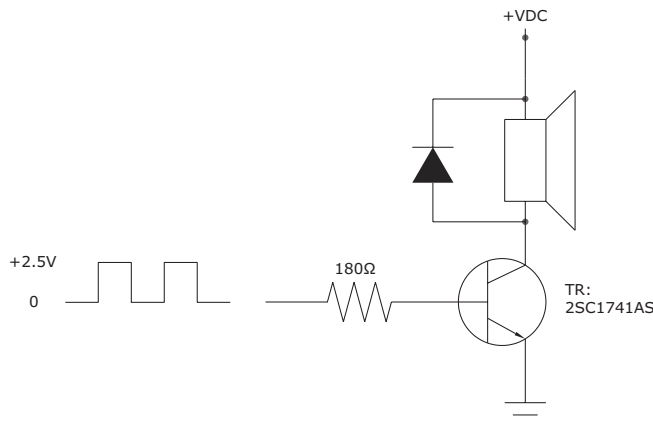
units: mm  
tolerance: ±0.5 mm



## FREQUENCY RESPONSE CURVE



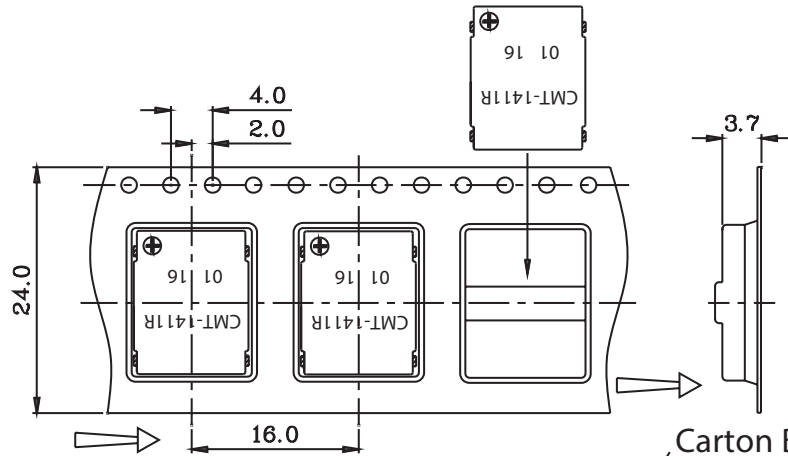
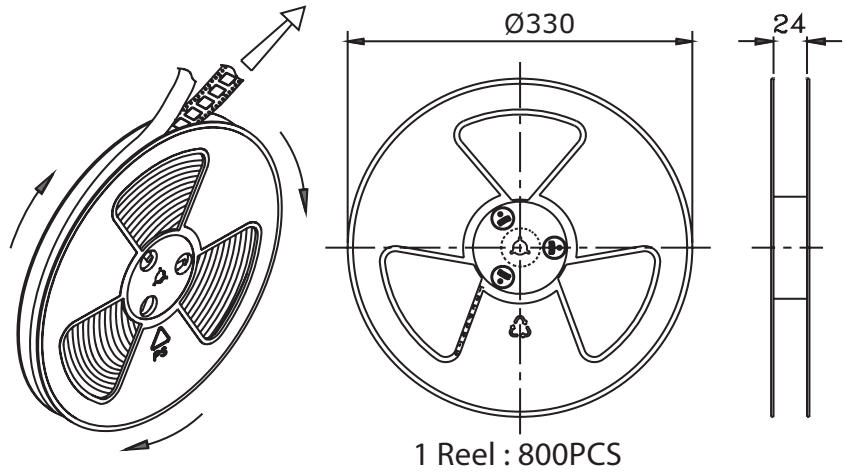
## MEASUREMENT METHOD



## PACKAGING


units: mm

Reel Size: Ø330 mm  
 Carton Size: 175 x 355 x 350 mm  
 Reel QTY: 800 pcs per reel  
 Carton QTY: 4,000 pcs per carton

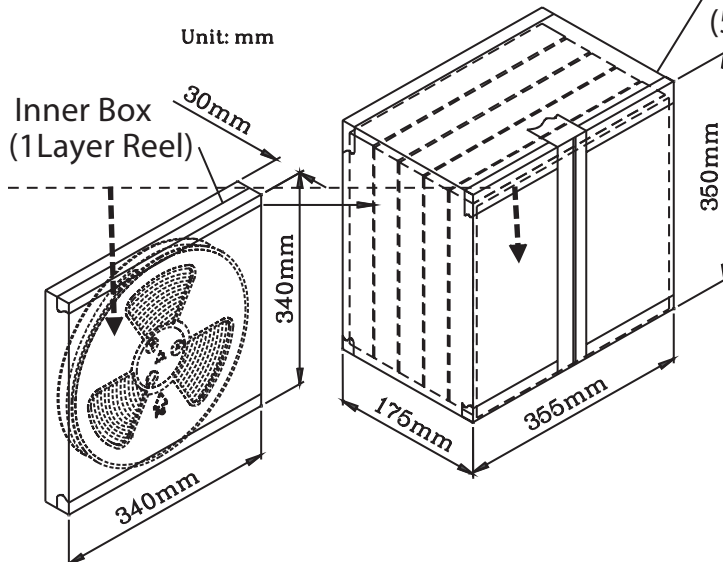


Carton Box  
(5 Inner Box)

Unit: mm

Lot No.	XXXXXXXXXX
Model No.	XXXXXXXXXX
Quantity.	XXXX Pcs
Date:	DD MM YY
MADE IN CHINA 	

The label is placed on the inner boxes and outer carton.



## REVISION HISTORY

rev.	description	date
1.0	initial release	03/31/2016
1.01	added storage and drying conditions	06/12/2019
1.02	brand update	11/22/2019
1.03	logo, datasheet style update	08/05/2022
1.04	CUI Devices rebranded to Same Sky	09/11/2024

The revision history provided is for informational purposes only and is believed to be accurate.



Same Sky offers a one (1) year limited warranty. Complete warranty information is listed on our website.

Same Sky reserves the right to make changes to the product at any time without notice. Information provided by Same Sky is believed to be accurate and reliable. However, no responsibility is assumed by Same Sky for its use, nor for any infringements of patents or other rights of third parties which may result from its use.

Same Sky products are not authorized or warranted for use as critical components in equipment that requires an extremely high level of reliability. A critical component is any component of a life support device or system whose failure to perform can be reasonably expected to cause the failure of the life support device or system, or to affect its safety or effectiveness.

[sameskydevices.com](https://www.sameskydevices.com)