

MODEL: CMS-30205-124L40-67 | **DESCRIPTION:** SPEAKER

FEATURES

- IP67 rated
- 40 mm lead wire
- 1.2 W rated power


SPECIFICATIONS

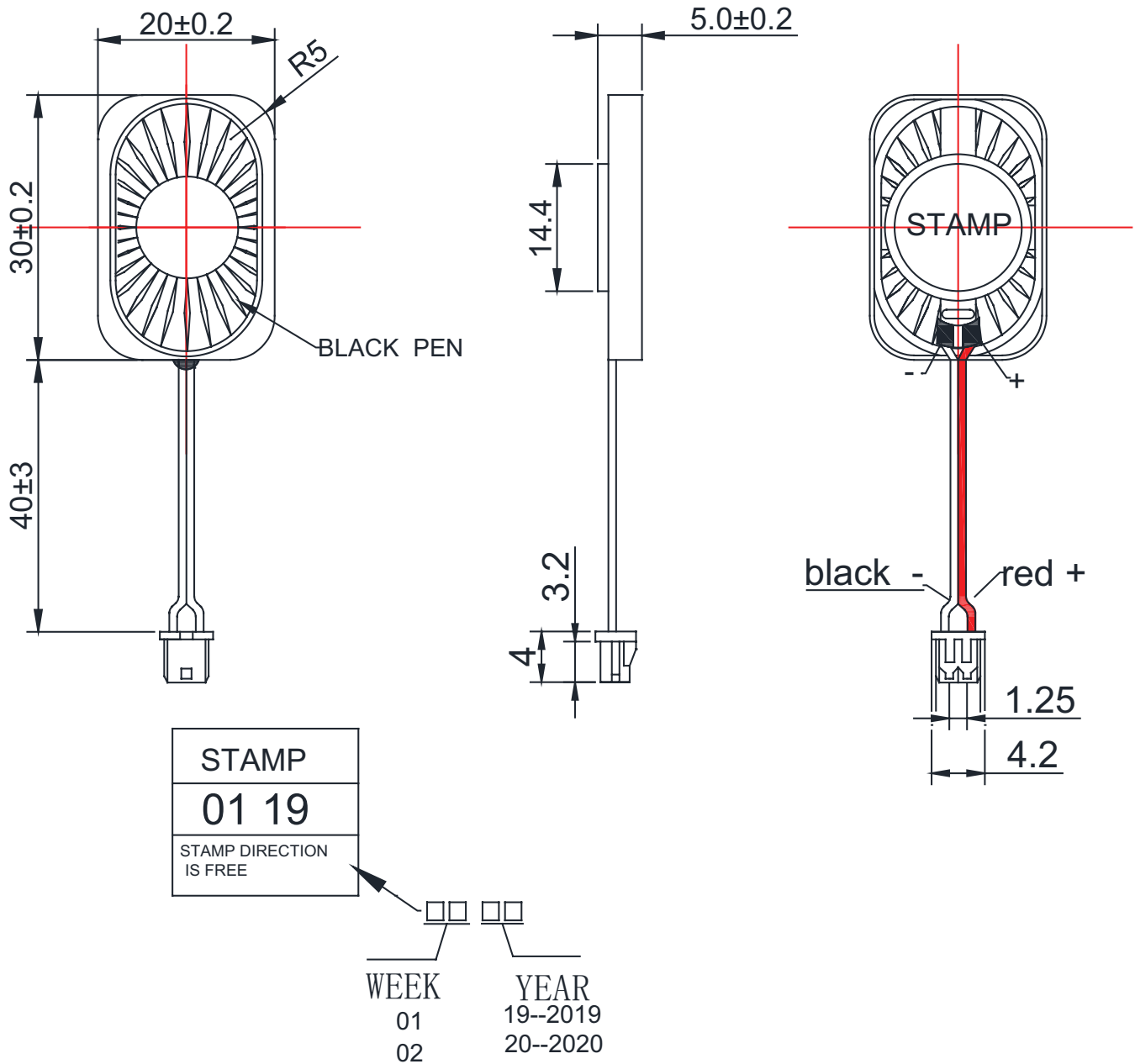
| parameter | conditions/description | min | typ | max | units |
|-------------------------|--------------------------------------------------------------------------------------|-----|-----|--------|--------------------|
| input power | max power: IEC-60268-5, filter 60 seconds on, 120 seconds off, 10 cycles (room temp) | | 1.2 | 1.5 | W |
| impedance | at 1.5 kHz | 3.4 | 4 | 4.6 | Ω |
| resonant frequency (Fo) | at 1.0 V | 680 | 850 | 1,020 | Hz |
| frequency response | | Fo | | 20,000 | Hz |
| sound pressure level | at 1.5 W, 10 cm, avg at 2.0 kHz | 92 | 95 | 98 | dB |
| distortion | at 1.0 kHz, 10 cm, 0.5 W | | | 10 | % |
| buzz, rattle, etc. | must be normal at sine wave, Fo~10 kHz | | | 2.45 | V |
| polarity | cone moves forward w/ positive dc current to "+" terminal | | | | |
| dimensions | 30.0 x 20 x 5.0 | | | | mm |
| magnet | Nd-Fe-B | | | | |
| frame material | PBT | | | | |
| cone material | PEN | | | | |
| terminal | wire leads with connector | | | | |
| weight | | | 3.8 | | g |
| operating temperature | | -30 | | 65 | $^{\circ}\text{C}$ |
| storage temperature | | -40 | | 80 | $^{\circ}\text{C}$ |
| RoHS | yes | | | | |
| IP level | IP67 (front side) | | | | |

Notes: 1. All specifications measured at 5-35 $^{\circ}\text{C}$, humidity at 45-85%, under 86-106 kPa pressure, unless otherwise noted.

MECHANICAL DRAWING

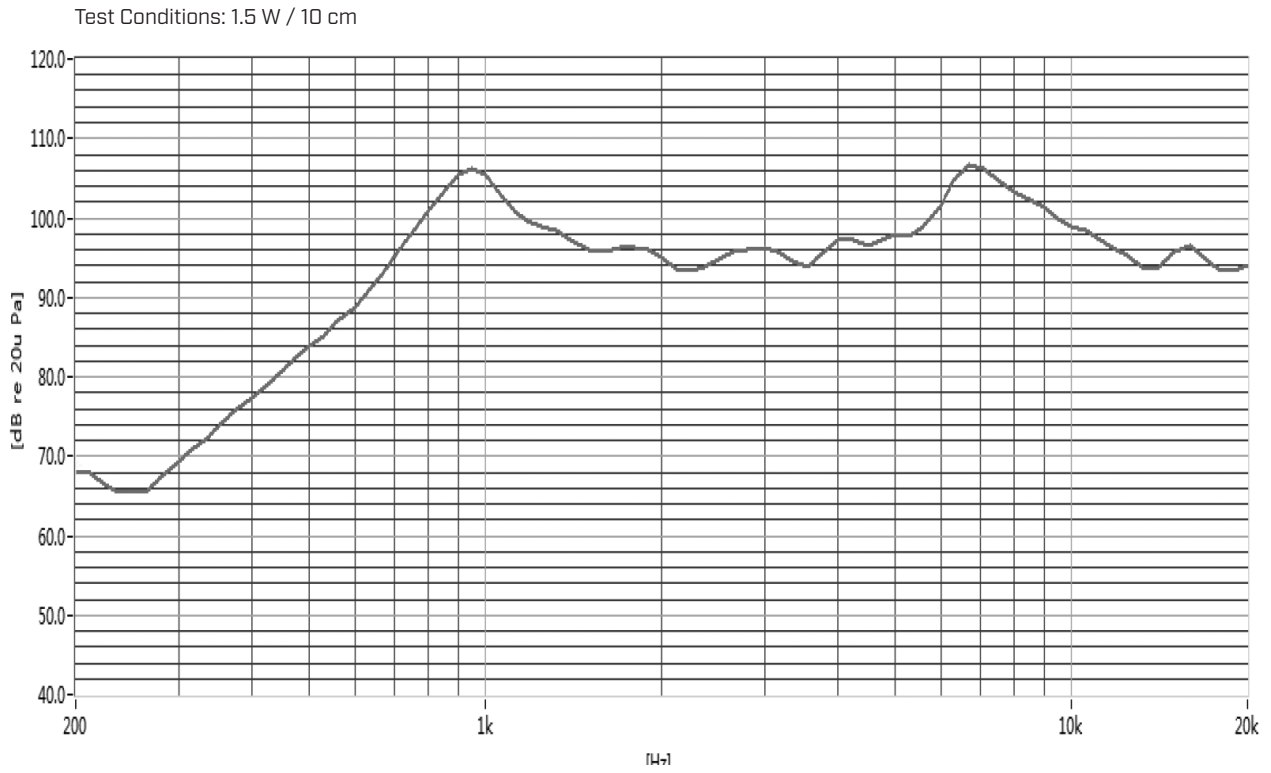
units: mm
tolerance: ± 0.2 mm

wire: UL1571 30 AWG
connector: Molex 51021-Q200 or equivalent; P=1.25

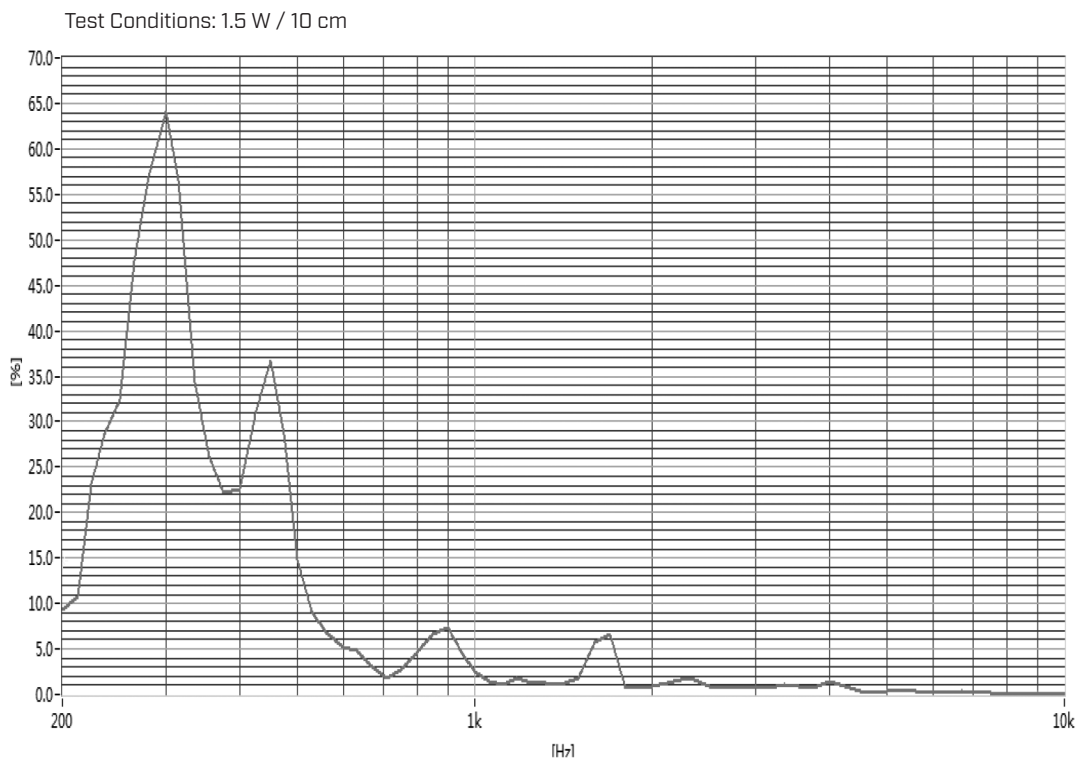


RESPONSE CURVES

Frequency Response Curve



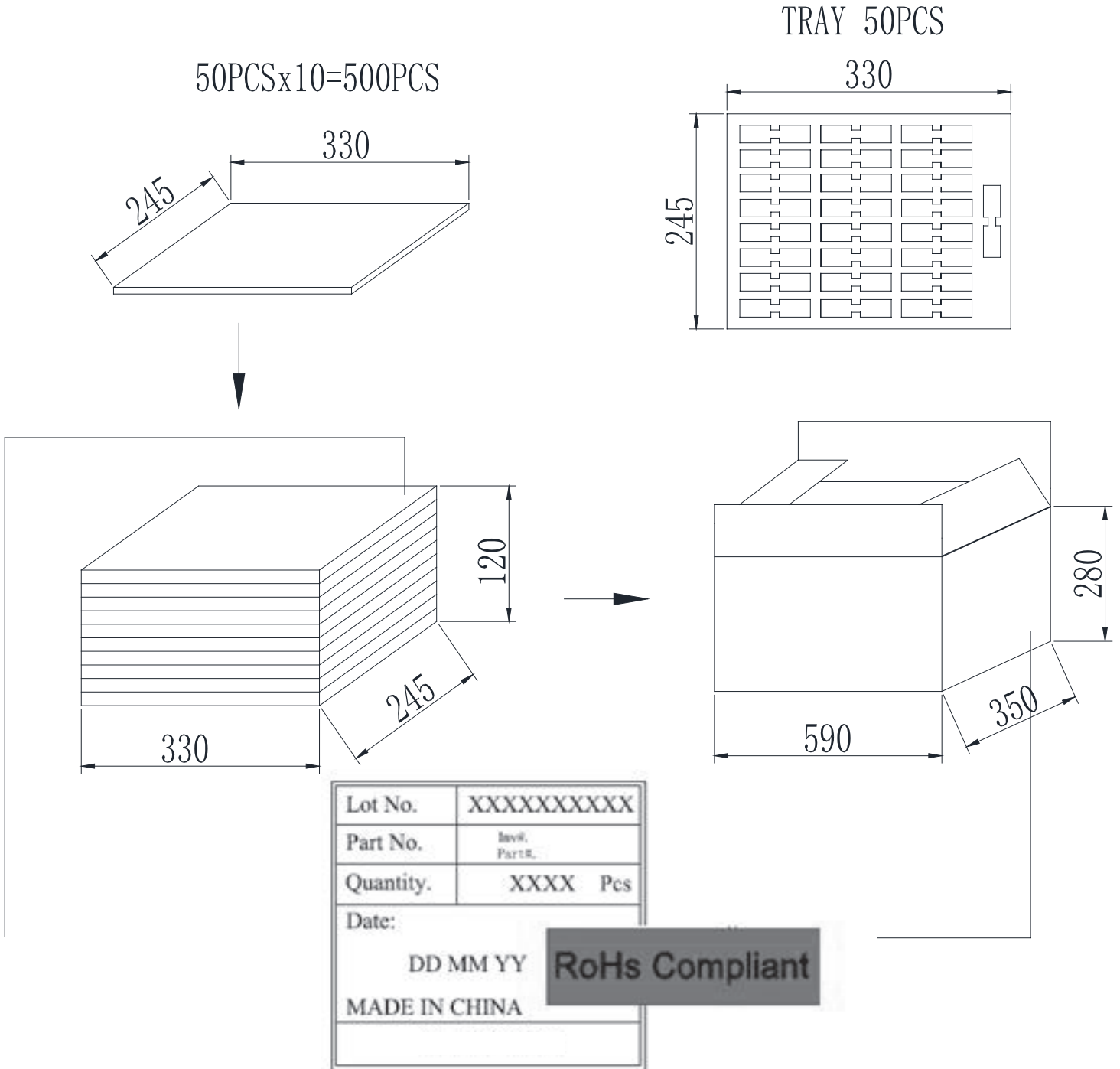
Total Harmonic Distortion Curve



PACKAGING

units: mm

Tray Size: 330 x 245 mm
Tray QTY: 50 pcs per tray
Carton Size: 590 x 350 x 280 mm
Carton QTY: 2,000 pcs per carton



REVISION HISTORY

| rev. | description | date |
|------|-----------------------------------|------------|
| 1.0 | initial release | 06/08/2020 |
| 1.01 | added date code marking | 01/04/2021 |
| 1.02 | logo, datasheet style update | 08/05/2022 |
| 1.03 | CUI Devices rebranded to Same Sky | 09/11/2024 |

The revision history provided is for informational purposes only and is believed to be accurate.



Same Sky offers a one (1) year limited warranty. Complete warranty information is listed on our website.

Same Sky reserves the right to make changes to the product at any time without notice. Information provided by Same Sky is believed to be accurate and reliable. However, no responsibility is assumed by Same Sky for its use, nor for any infringements of patents or other rights of third parties which may result from its use.

Same Sky products are not authorized or warranted for use as critical components in equipment that requires an extremely high level of reliability. A critical component is any component of a life support device or system whose failure to perform can be reasonably expected to cause the failure of the life support device or system, or to affect its safety or effectiveness.

[sameskydevices.com](https://www.sameskydevices.com)