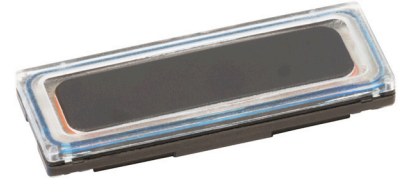




MODEL: CMS-250903-18SP-X8 | **DESCRIPTION:** SPEAKER

FEATURES

- IPX8 rated
- rated 1 W
- 8 Ω



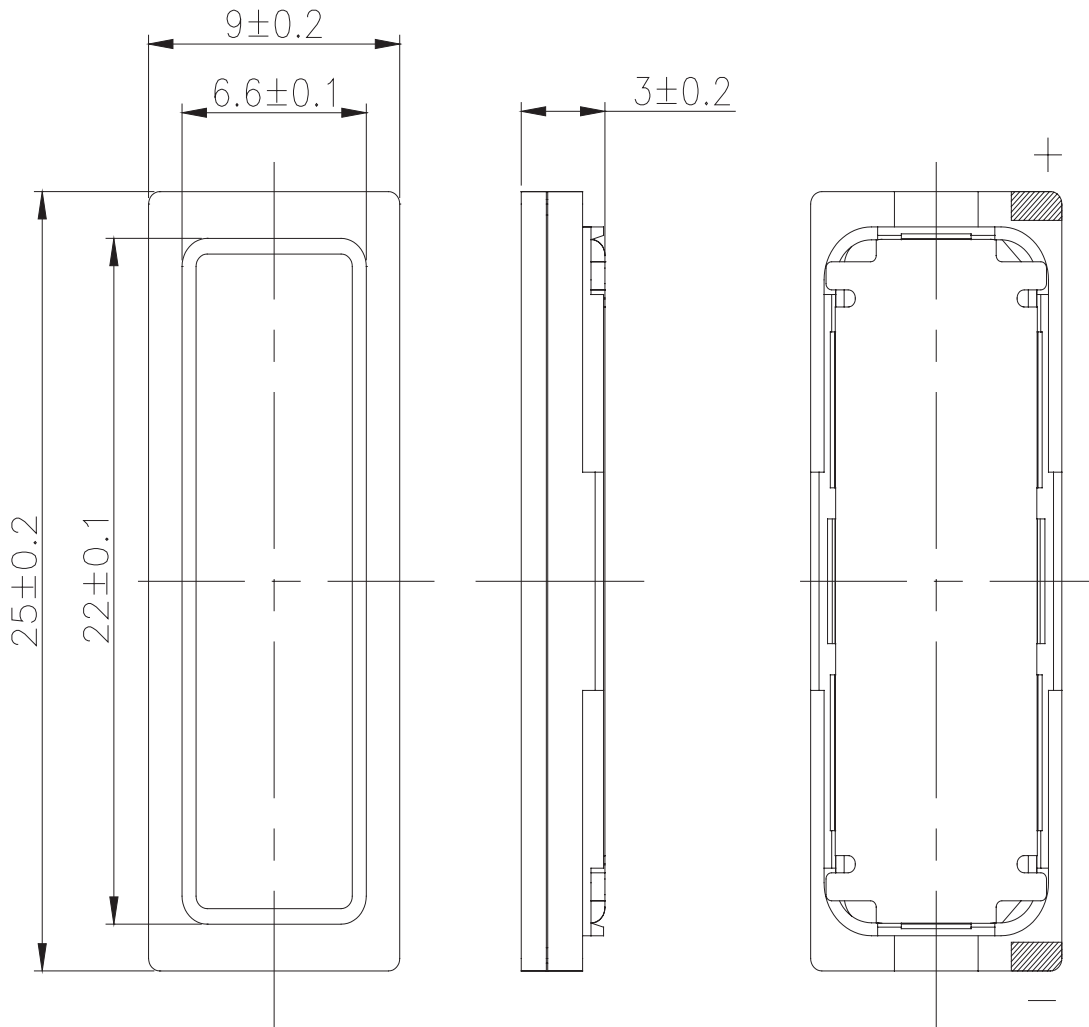
SPECIFICATIONS

| parameter | conditions/description | min | typ | max | units |
|-------------------------|---|-----|-----|--------|--------------------|
| input power | max power: as per IEC-268-5, in 2 cc box | | 1.0 | 1.5 | W |
| impedance | at 2.0 kHz, 2.83 Vrms in 2 cc box | 6.8 | 8 | 9.2 | Ω |
| resonant frequency (Fo) | in 2 cc box | 640 | 800 | 960 | Hz |
| frequency response | | Fo | | 20,000 | Hz |
| sound pressure level | at 2.83 Vrms, 10 cm, 2.0 kHz, 2 cc box | 92 | 93 | 98 | dB |
| distortion | at 1.0 kHz, rated power, 10 cm in 2 cc box | | | 15 | % |
| buzz, rattle, etc. | must be normal at sine wave, frequency range in 2 cc box | | | 2.83 | V |
| polarity | cone moves forward w/ positive dc current to "+" terminal | | | | |
| dimensions | 25 x 9 x 3.0 | | | | mm |
| magnet | Nd-Fe-B | | | | |
| frame material | PPA | | | | |
| cone material | PEEK | | | | |
| terminal | solder pads | | | | |
| weight | | | 2.8 | | g |
| operating temperature | | -20 | | 70 | $^{\circ}\text{C}$ |
| storage temperature | | -40 | | 85 | $^{\circ}\text{C}$ |
| hand soldering | for maximum 3 seconds | | | 380 | $^{\circ}\text{C}$ |
| RoHS | yes | | | | |
| IP level | IPX8 (front side) | | | | |

Notes: 1. All specifications measured at 15-35 $^{\circ}\text{C}$, humidity at 45-85%, under 86-106 kPa pressure, unless otherwise noted.

MECHANICAL DRAWING

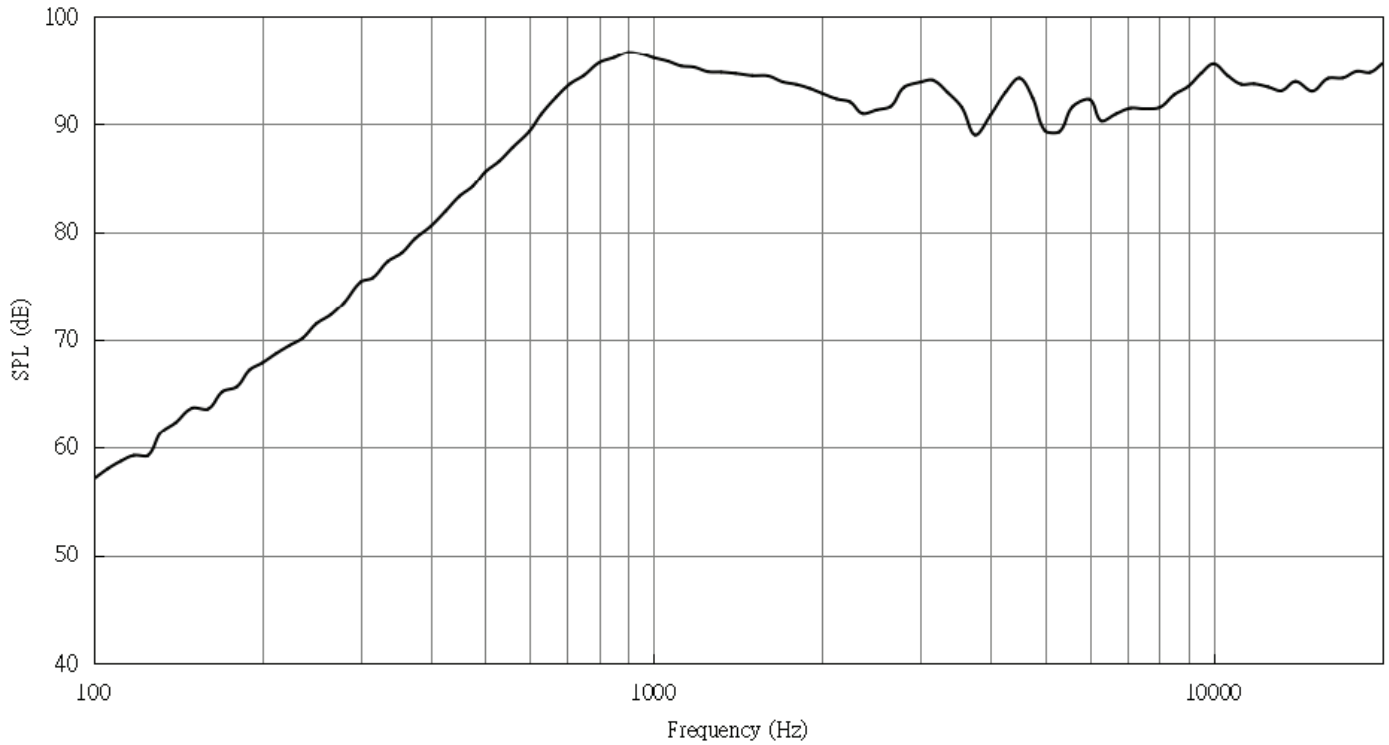
units: mm
tolerance: ± 0.2 mm



RESPONSE CURVES

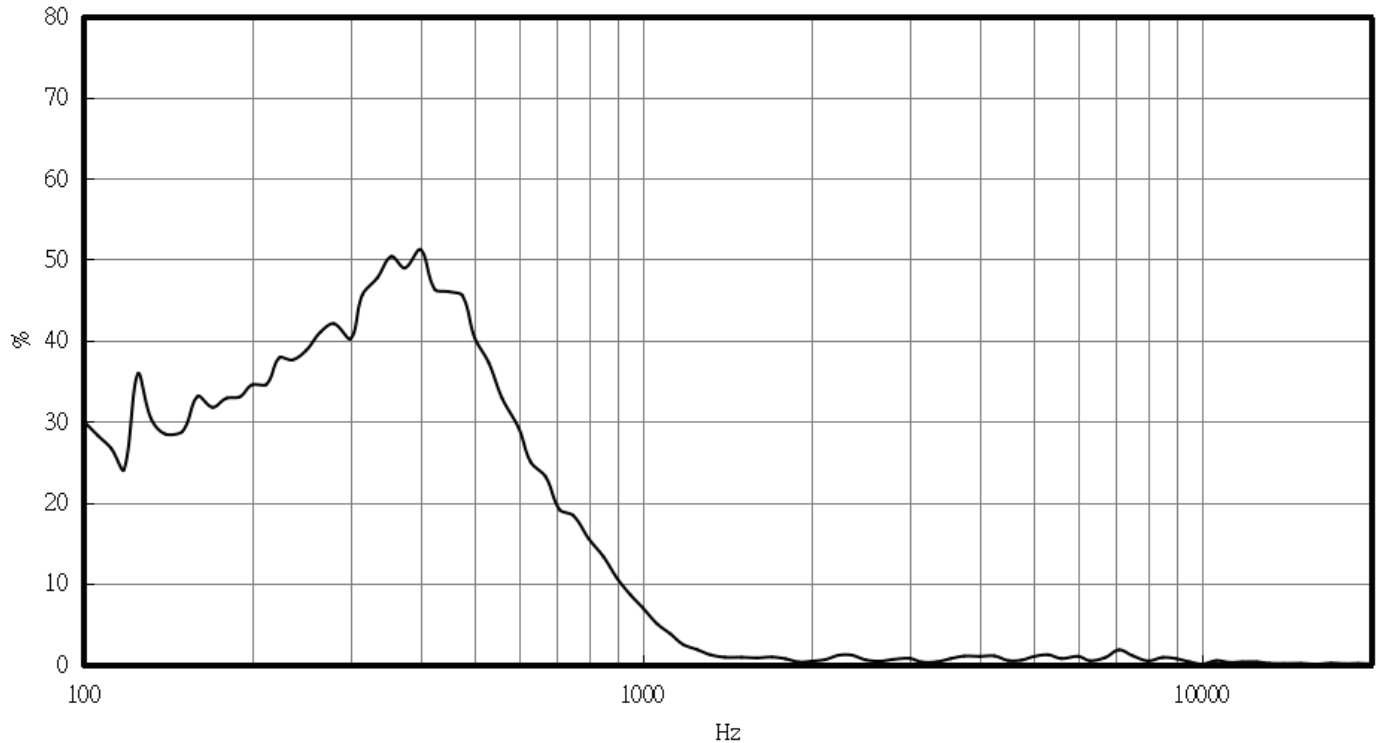
Frequency Response Curve

Test Conditions: 2.83 Vrms / 10 cm in 2 cc box



Total Harmonic Distortion Curve

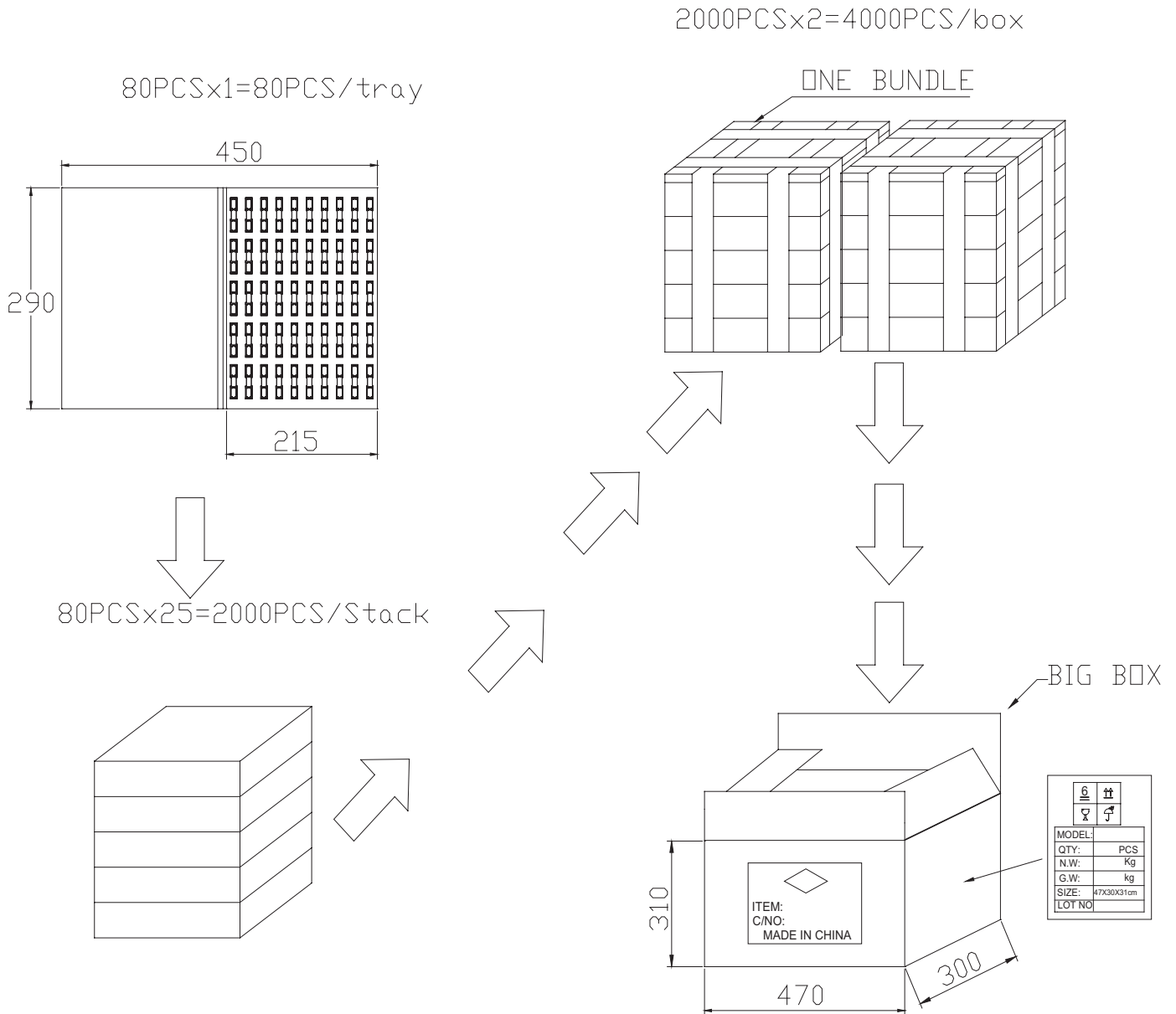
Test Conditions: 2.83 Vrms / 10 cm in 2 cc box



PACKAGING

units: mm

Tray QTY: 80 pcs per tray
Carton Size: 470 x 300 x 310 mm
Carton QTY: 4,000 pcs per carton



REVISION HISTORY

| rev. | description | date |
|------|-----------------------------------|------------|
| 1.0 | initial release | 03/22/2023 |
| 1.01 | CUI Devices rebranded to Same Sky | 09/11/2024 |

The revision history provided is for informational purposes only and is believed to be accurate.



Same Sky offers a one (1) year limited warranty. Complete warranty information is listed on our website.

Same Sky reserves the right to make changes to the product at any time without notice. Information provided by Same Sky is believed to be accurate and reliable. However, no responsibility is assumed by Same Sky for its use, nor for any infringements of patents or other rights of third parties which may result from its use.

Same Sky products are not authorized or warranted for use as critical components in equipment that requires an extremely high level of reliability. A critical component is any component of a life support device or system whose failure to perform can be reasonably expected to cause the failure of the life support device or system, or to affect its safety or effectiveness.

[sameskydevices.com](https://www.sameskydevices.com)