

**MODEL:** CMS-15118E-SP | **DESCRIPTION:** SPEAKER**FEATURES**

- micro-speaker
- small footprint
- low profile
- spring leads

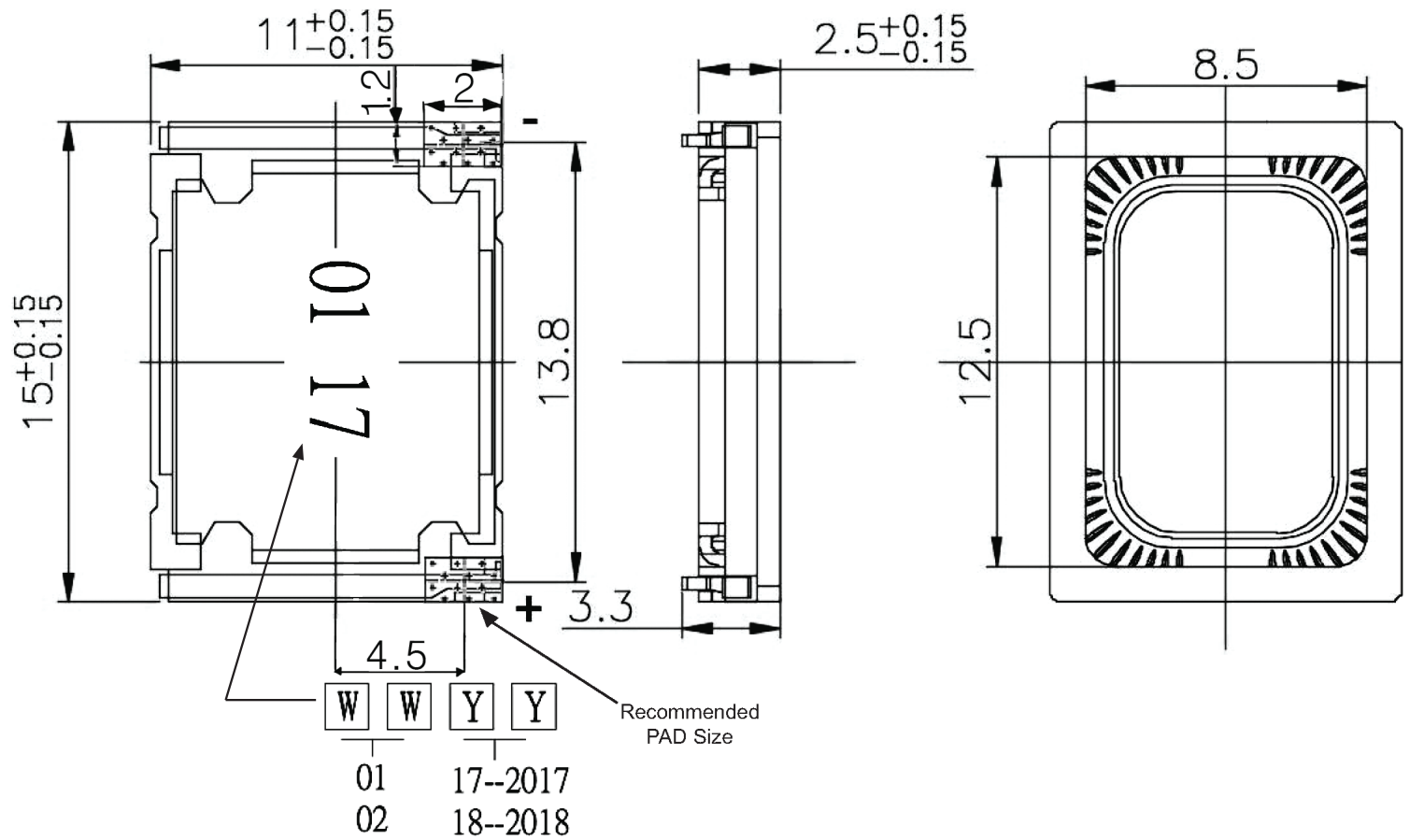
**SPECIFICATIONS**

| parameter               | conditions/description  | min        | typ        | max          | units        |
|-------------------------|---|------------|------------|--------------|--------------|
| input power             | maximum power: IEC-60268-5, filter 60s on/120s off, 10 cycles at room temp in 1 cc closed box |            | 0.8        | 1.0          | W            |
| impedance               | at 1.5 kHz  | 6.8        | 8          | 9.2          | $\Omega$     |
| resonant frequency (Fo) | at 1.0 V<br>at 1.0 V in 1cc closed box  | 440<br>680 | 550<br>850 | 660<br>1,020 | Hz<br>Hz     |
| frequency response      | output SPL $\pm$ 10 dB  | Fo         |            | 10,000       | Hz           |
| sound pressure level    | at 0.8 W, 0.1 m ave, at 0.8, 1.0, 1.2, 1.5 kHz in 1 cc closed box                             | 87.5       | 90.5       | 93.5         | dB           |
| distortion              | at 1.0 kHz, 0.8 W   |            |            | 15           | %            |
| buzz, rattle, etc.      | must be normal at sine wave between Fo ~ 20 kHz in 1 cc closed box                            |            | 2.53       |              | V            |
| polarity                | cone will move forward with positive dc current to "+" terminal                               |            |            |              |              |
| dimensions              | 15 x 11 x 2.5   |            |            |              | mm           |
| magnet                  | Nd-Fe-B   |            |            |              |              |
| material                | PPA   |            |            |              |              |
| cone material           | PEEK  |            |            |              |              |
| terminal                | spring contact  |            |            |              |              |
| weight                  |   |            | 1.4        |              | g            |
| operating temperature   |   | -20        |            | 60           | $^{\circ}$ C |
| storage temperature     |   | -40        |            | 85           | $^{\circ}$ C |
| RoHS                    | yes   |            |            |              |              |

Notes: 1. All specifications measured at 5-35 $^{\circ}$ C, humidity at 45-85%, under 86-106 kPa pressure, unless otherwise noted.

## MECHANICAL DRAWING

units: mm  
tolerance:  $\pm 0.2$  mm

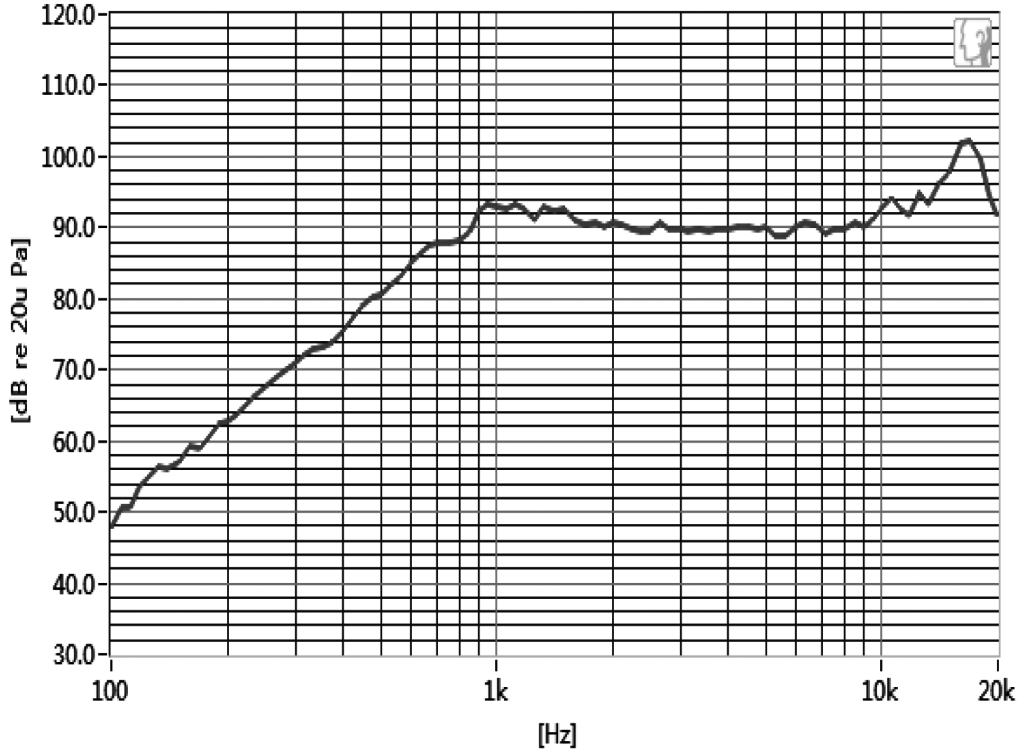


Note: 1. Maximum compression force between front frame and back frame 8 yoke is 5 N.

## RESPONSE CURVES

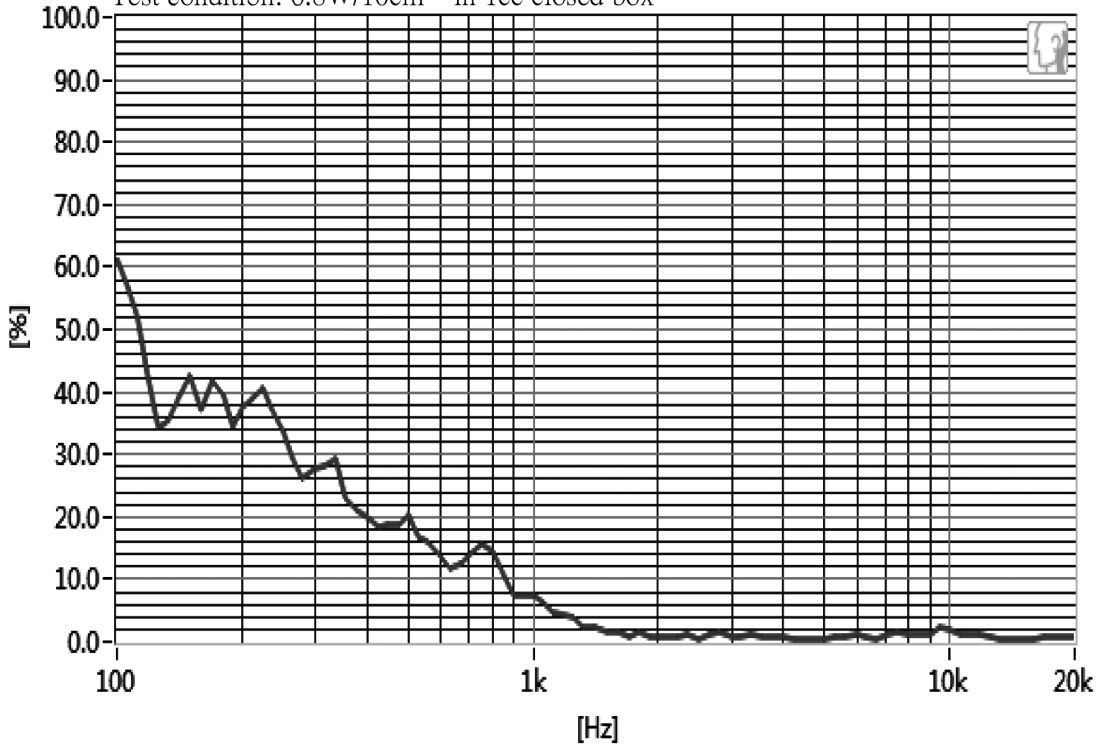
### Frequency Response Curve

Test condition: 0.8W/10cm in 1cc closed box



### Total Harmonic Distortion Curve

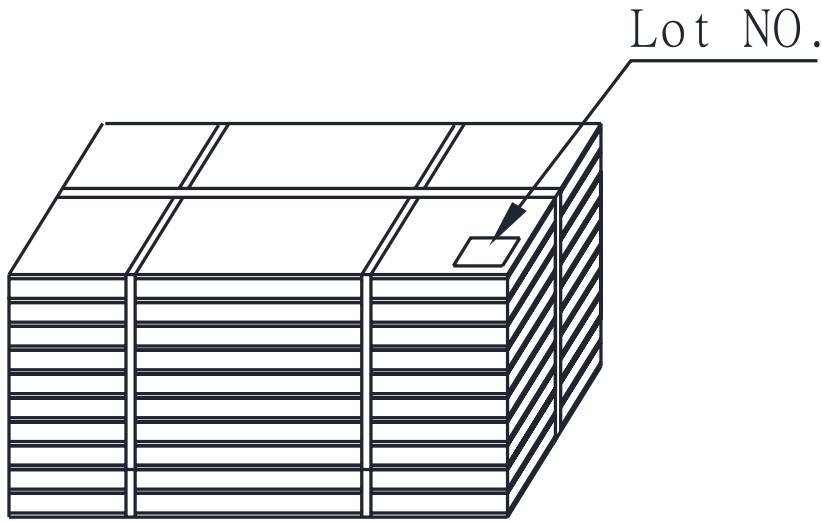
Test condition: 0.8W/10cm in 1cc closed box




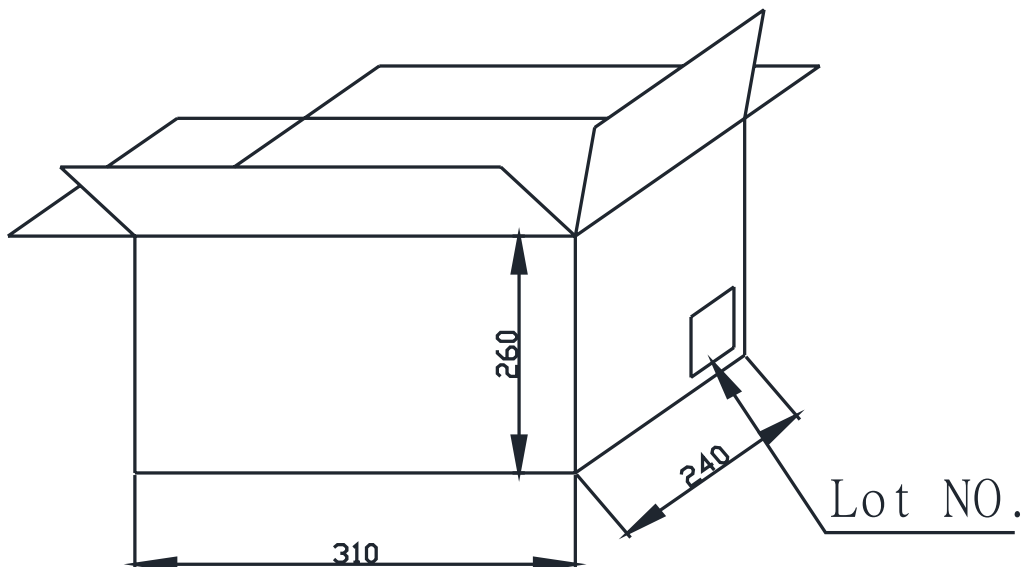
## PACKAGING

units: mm

Tray Size: 290 x 220 x 12 mm  
 Carton Size: 310 x 240 x 260 mm  
 Tray QTY: 100 pcs per tray  
 Carton QTY: 2,000 pcs per carton



|   |                 |
|---|-----------------|
| Lot No.   | XXXXXXXXXXXX    |
| Model No.   | Inv#.<br>Part#. |
| Quantity.   | XXXX Pcs        |
| Date:   |                 |
| DD MM YY  |                 |
| MADE IN CHINA   |                 |
|  |                 |



## REVISION HISTORY

| rev. | description                       | date       |
|------|-----------------------------------|------------|
| 1.0  | initial release                   | 07/06/2017 |
| 1.01 | brand update                      | 01/21/2020 |
| 1.02 | logo, datasheet style update      | 08/05/2022 |
| 1.03 | CUI Devices rebranded to Same Sky | 09/11/2024 |

The revision history provided is for informational purposes only and is believed to be accurate.



Same Sky offers a one (1) year limited warranty. Complete warranty information is listed on our website.

Same Sky reserves the right to make changes to the product at any time without notice. Information provided by Same Sky is believed to be accurate and reliable. However, no responsibility is assumed by Same Sky for its use, nor for any infringements of patents or other rights of third parties which may result from its use.

Same Sky products are not authorized or warranted for use as critical components in equipment that requires an extremely high level of reliability. A critical component is any component of a life support device or system whose failure to perform can be reasonably expected to cause the failure of the life support device or system, or to affect its safety or effectiveness.

[sameskydevices.com](https://www.sameskydevices.com)