

MODEL: CMI-0955-05TH | **DESCRIPTION:** MAGNETIC BUZZER INDICATOR

FEATURES

- magnetic
- driving circuit
- through hole


SPECIFICATIONS

| parameter | conditions/description | min | typ | max | units |
|-----------------------|-------------------------------|-------|-------|-------|-------|
| rated voltage | | | 5 | | Vdc |
| operating voltage | | 3 | | 7 | Vdc |
| current consumption | at 2,700 Hz, 5 Vdc | | | 30 | mA |
| rated frequency | | 2,400 | 2,700 | 3,000 | Hz |
| sound pressure level | at 10 cm, 2,700 Hz, 5 Vdc | 80 | | | dB |
| tone | continuous | | | | |
| dimensions | ∅9.2 x 5.5 | | | | mm |
| weight | | 0.6 | 0.7 | 0.8 | g |
| material | PBT (UL94HB) | | | | |
| terminal | pins (brass with tin plating) | | | | |
| operating temperature | | -20 | | 70 | °C |
| storage temperature | | -30 | | 80 | °C |
| washable | no | | | | |
| RoHS | yes | | | | |

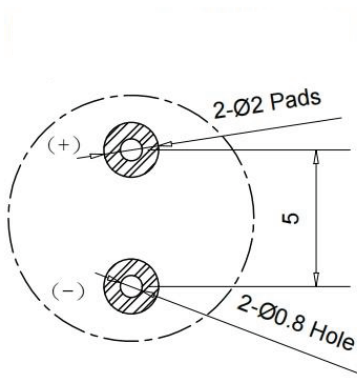
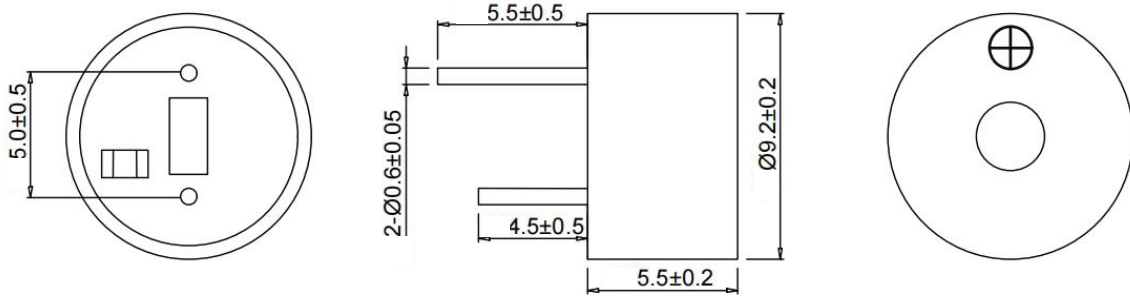
Notes: 1. All specifications measured at 25±3°C, humidity at 35-70%, under 86-106 kPa pressure, unless otherwise noted.

SOLDERABILITY

| parameter | conditions/description | min | typ | max | units |
|----------------|------------------------|-----|-----|-----|-------|
| hand soldering | for 2.0±1.0 seconds | 340 | 350 | 360 | °C |
| wave soldering | for 2±0.5 seconds | 250 | 255 | 260 | °C |

MECHANICAL DRAWING

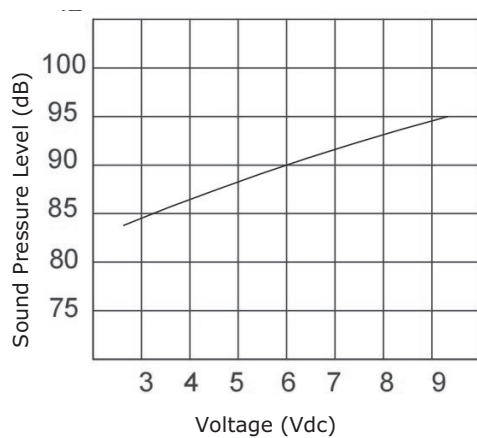
units: mm
tolerance: ± 0.5 mm



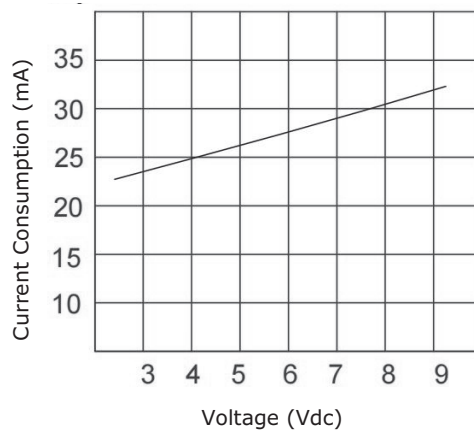
Recommended PCB Layout
Top View

PERFORMANCE CURVES

Voltage vs. Sound Pressure Level
at 10 cm



Voltage vs. Current Consumption



REVISION HISTORY

| rev. | description | date |
|------|-----------------|------------|
| 1.0 | initial release | 09/09/2024 |

The revision history provided is for informational purposes only and is believed to be accurate.



Same Sky offers a one (1) year limited warranty. Complete warranty information is listed on our website.

Same Sky reserves the right to make changes to the product at any time without notice. Information provided by Same Sky is believed to be accurate and reliable. However, no responsibility is assumed by Same Sky for its use, nor for any infringements of patents or other rights of third parties which may result from its use.

Same Sky products are not authorized or warranted for use as critical components in equipment that requires an extremely high level of reliability. A critical component is any component of a life support device or system whose failure to perform can be reasonably expected to cause the failure of the life support device or system, or to affect its safety or effectiveness.

[sameskydevices.com](https://www.sameskydevices.com)