



MODEL: CMC-9745-44P | DESCRIPTION: ELECTRET CONDENSER MICROPHONE

FEATURES

- omnidirectional
- pin mount
- 3 Vdc operating voltage



SPECIFICATIONS

parameter	conditions/description	min	typ	max	units
directivity	omnidirectional				
sensitivity [S]	f = 1 kHz, 1 Pa, 0 dB = 1 V/Pa	-47	-44	-41	dB
standard operating voltage [Vs]			3		Vdc
max operating voltage				10	Vdc
output impedance [Zout]	f = 1 kHz, 1 Pa		2.2		k Ω
sensitivity reduction [Δ S-Vs]	f = 1 kHz, 1 Pa, Vs = 3.0 ~ 2.0 Vdc		-3		dB
frequency [f]		20		20,000	Hz
current consumption [IDSS]	Vs = 3.0 Vdc, RL = 2.2 k Ω			0.5	mA
signal to noise ratio [S/N]	f = 1 kHz, 1 Pa, A-weighted		60		dBa
dimensions	\varnothing 9.7 x 4.5				mm
material	Al				
terminal	pin type				
weight				0.8	g
operating temperature		-20		70	$^{\circ}$ C
storage temperature		-20		70	$^{\circ}$ C
RoHS	yes				

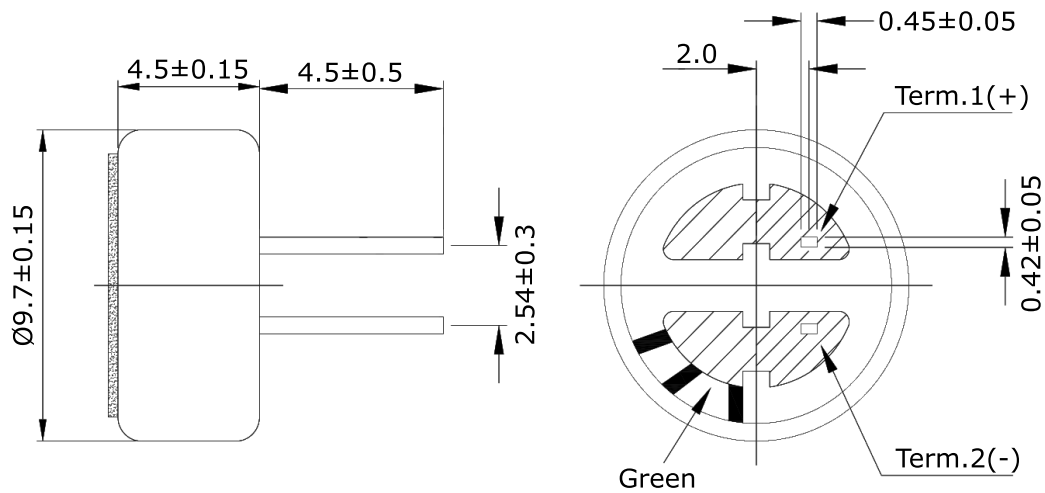
Notes: 1. We use the "Pascal [Pa]" indication of sensitivity as per the recommendation of I.E.C. (International Electrotechnical Commission). The sensitivity of "Pa" will increase 20 dB compared to the "ubar" indication. Example: -60 dB (0 dB = 1 V/ubar) = -40 dB (1 V/Pa)
2. All specifications measured at 5-35 $^{\circ}$ C, humidity at 45-85%, under 86-106 kPa pressure, unless otherwise noted.

SOLDERABILITY

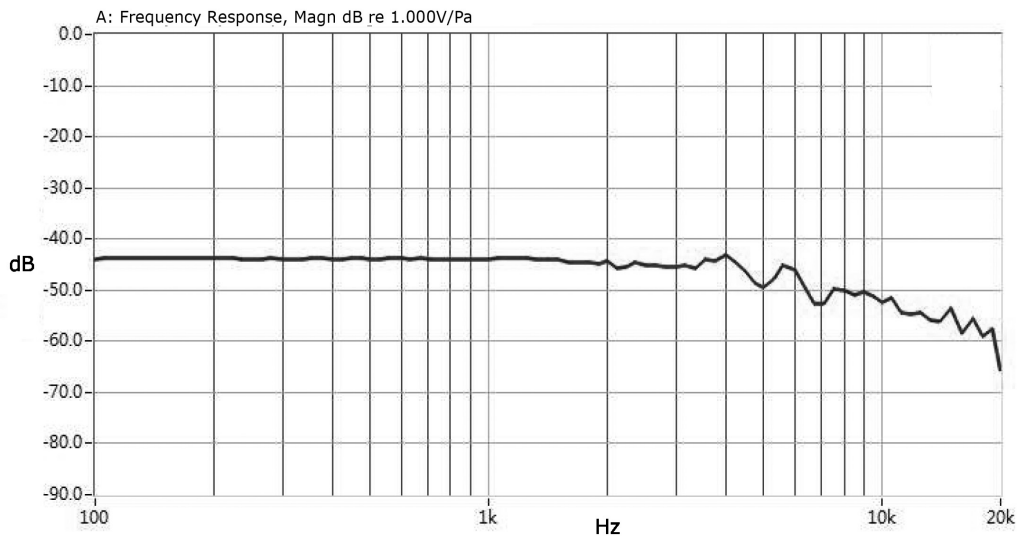
parameter	conditions/description	min	typ	max	units
hand soldering	for maximum 2 seconds	310	320	330	$^{\circ}$ C

MECHANICAL DRAWING

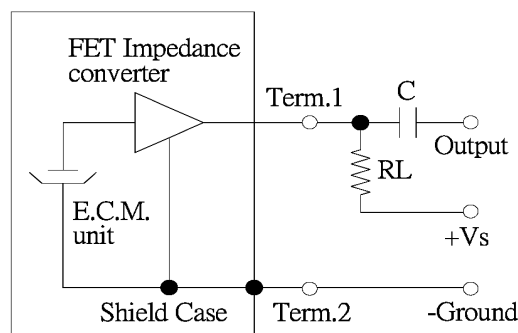
units: mm



FREQUENCY RESPONSE CURVE



MEASUREMENT CIRCUIT



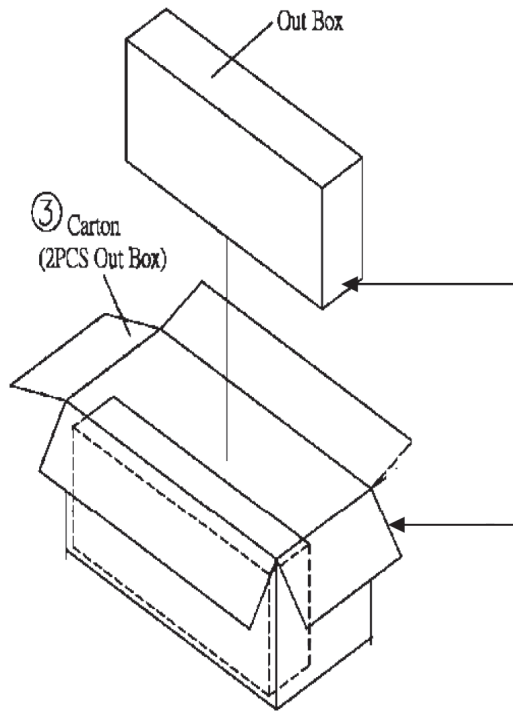
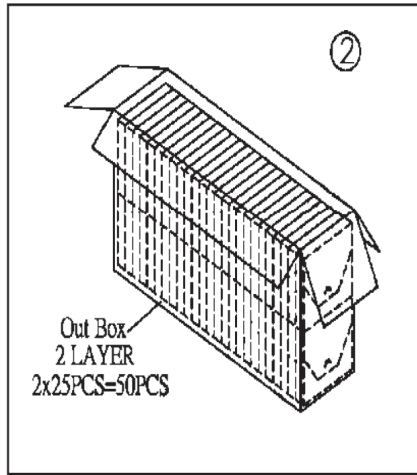
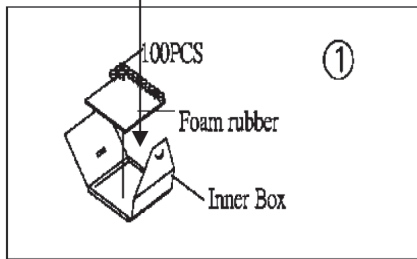
RL = 2.2 kΩ
C = 1 μF

PACKAGING

units: mm

Inner Box Size: 100 x 100 x 15 mm
 Outer Box Size: 385 x 110 x 215 mm
 Carton Box Size: 400 x 240 x 230 mm
 Inner Box QTY: 100 pcs per box
 Outer Box QTY: 5,000 pcs per box
 Carton Box QTY: 10,000 pcs per box

Made in China



Lot No.	XXXXXXXXXX
Model No.	Inv# XXXXXXXXXXXX Part# XXXXXXXXXXXX
Quantity.	XXXX Pcs
Date:	DD MM YY
MADE IN CHINA	

* The label sticked on inner boxes and the outer of carton.

REVISION HISTORY

rev.	description	date
1.0	initial release	11/03/2016
1.01	brand update	01/08/2020
1.02	logo, datasheet style update	08/05/2022
1.03	CUI Devices rebranded to Same Sky	09/11/2024

The revision history provided is for informational purposes only and is believed to be accurate.



Same Sky offers a one (1) year limited warranty. Complete warranty information is listed on our website.

Same Sky reserves the right to make changes to the product at any time without notice. Information provided by Same Sky is believed to be accurate and reliable. However, no responsibility is assumed by Same Sky for its use, nor for any infringements of patents or other rights of third parties which may result from its use.

Same Sky products are not authorized or warranted for use as critical components in equipment that requires an extremely high level of reliability. A critical component is any component of a life support device or system whose failure to perform can be reasonably expected to cause the failure of the life support device or system, or to affect its safety or effectiveness.

[sameskydevices.com](https://www.sameskydevices.com)