

MODEL: CES-403015-24130L | **DESCRIPTION:** SPEAKER

FEATURES

- 2 W rated power
- 130 mm lead wire
- 4 ohm rated impedance


SPECIFICATIONS

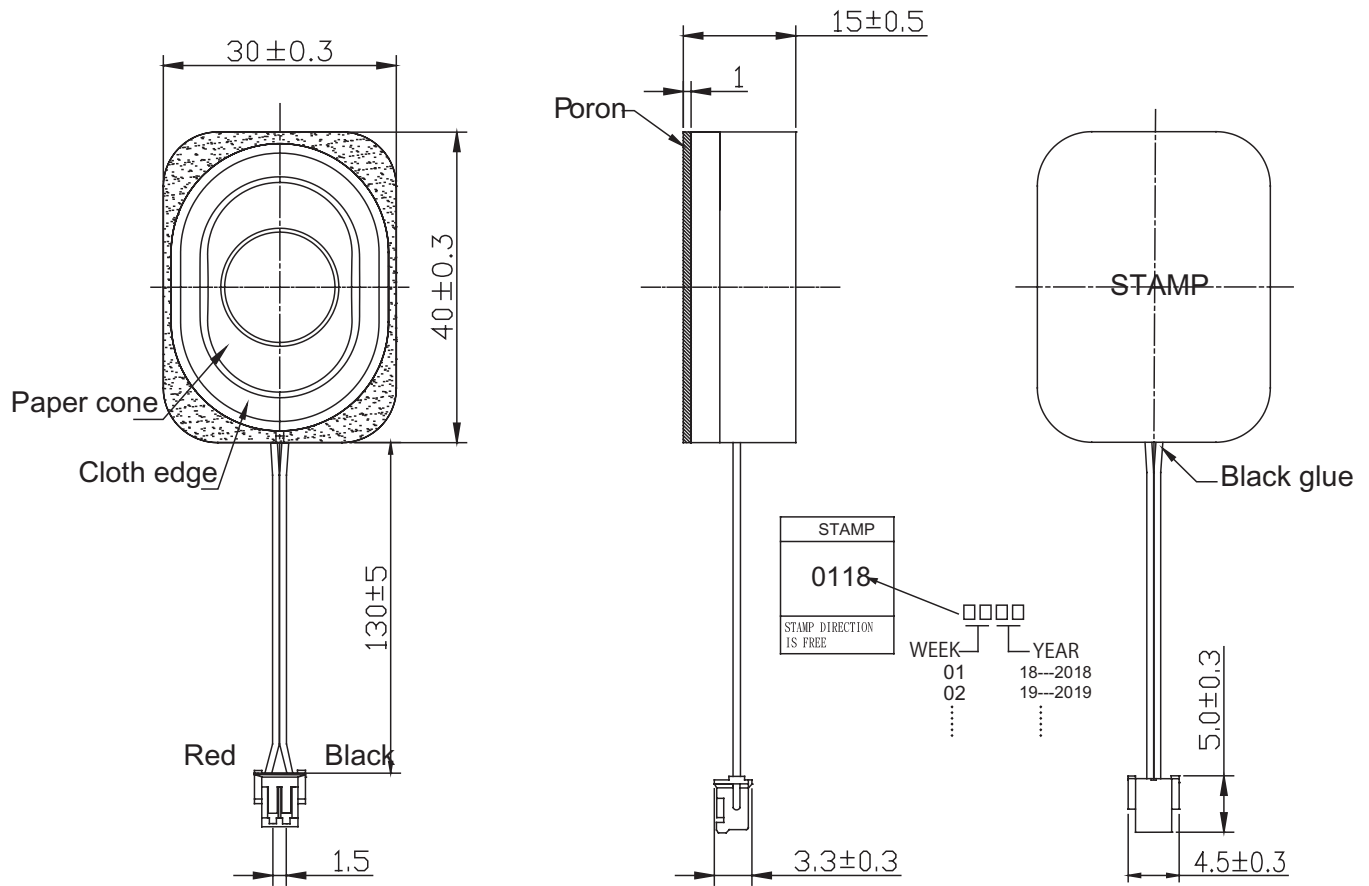
| parameter | conditions/description | min | typ | max | units |
|-------------------------|--|-----|------|--------|--------------------|
| input power | max power: IEC-60268-5, filter 60 seconds on, 120 seconds off, 10 cycles (room temp) | | 2.0 | 3.0 | W |
| impedance | at 1.0 kHz | 3.4 | 4 | 4.6 | Ω |
| resonant frequency (Fo) | at 1.0 V | 640 | 800 | 960 | Hz |
| frequency response | | Fo | | 20,000 | Hz |
| sound pressure level | at 1.0 W, 50 cm, avg at 0.8, 1.0, 1.2, 1.5 kHz | 83 | 86 | 89 | dB |
| distortion | at 1.0 kHz, 1.0 W | | | 10 | % |
| buzz, rattle, etc. | must be normal at sine wave, frequency range | | | 2.83 | V |
| polarity | cone moves forward w/ positive dc current to "+" terminal | | | | |
| dimensions | 40.0 x 30.0 x 15.0 | | | | mm |
| magnet | Nd-Fe-B | | | | |
| enclosure material | ABS 777D | | | | |
| cone material | cloth+paper | | | | |
| terminal | wire leads with connector | | | | |
| weight | | | 12.0 | | g |
| operating temperature | | -30 | | 70 | $^{\circ}\text{C}$ |
| storage temperature | | -40 | | 85 | $^{\circ}\text{C}$ |
| RoHS | yes | | | | |

Notes: 1. All specifications measured at 15-35 $^{\circ}\text{C}$, humidity at 45-85%, under 86-106 kPa pressure, unless otherwise noted.

MECHANICAL DRAWING

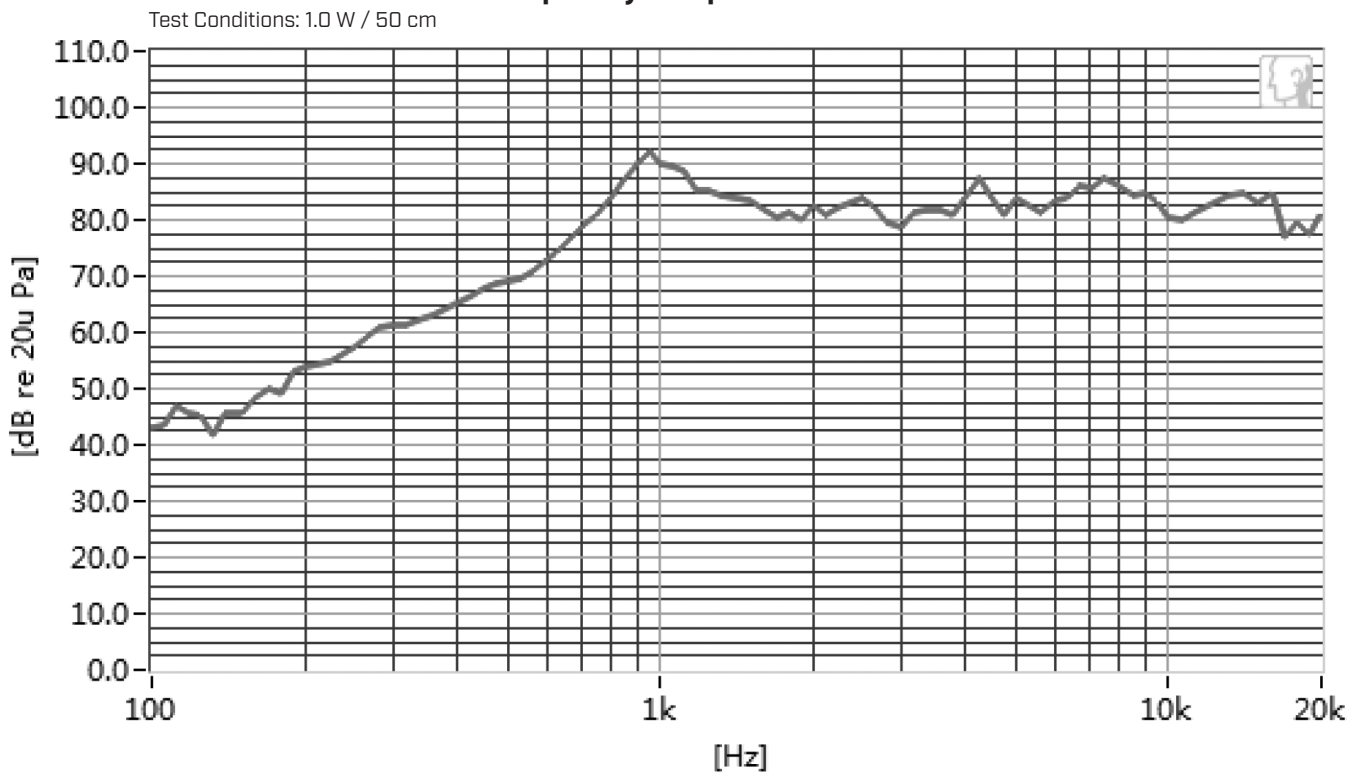
units: mm
tolerance: ± 0.5 mm

wire: UL1571 28 AWG
internal speaker: CDS-40304
connector: JST ZHR-2 SZH-003T-P0.5 or equivalent

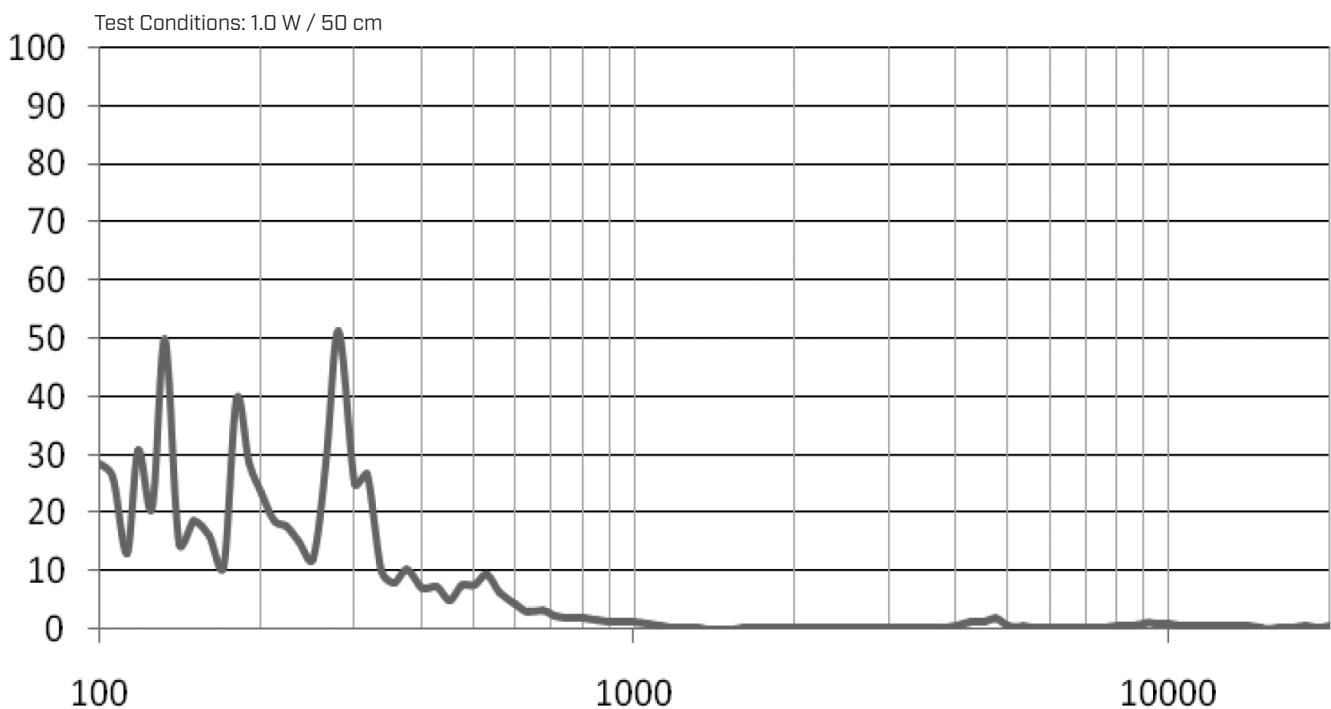


RESPONSE CURVES

Frequency Response Curve



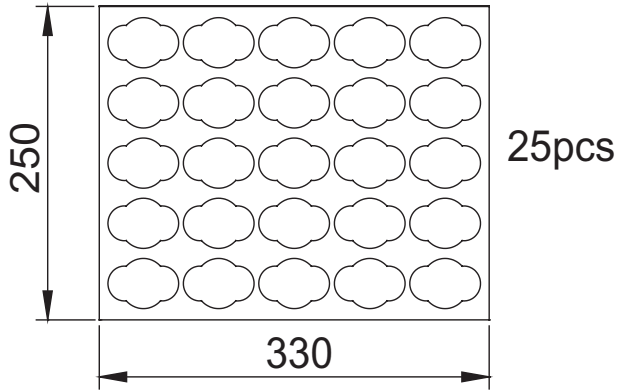
Total Harmonic Distortion Curve



PACKAGING

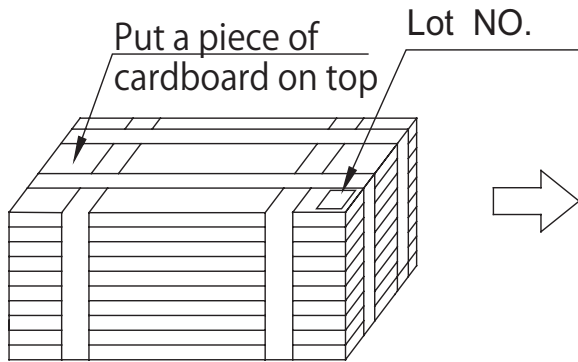
units: mm

Tray Size: 330 x 250 x 16 mm
 Tray QTY: 25 pcs per tray
 Carton Size: 515 x 345 x 310 mm
 Carton QTY: 500 pcs per carton

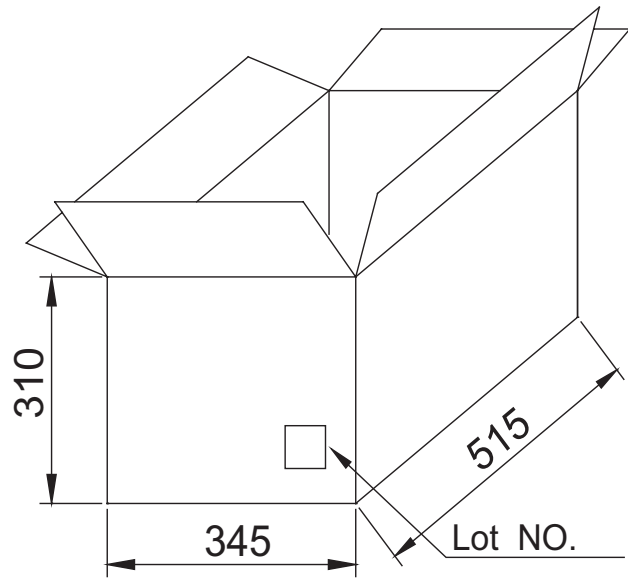


| | |
|---------------|-----------------|
| Lot No. | XXXXXXXXXX |
| Part No. | Inv#. Part#. |
| Quantity. | XXXX Pes |
| Date: | DD MM YY |
| MADE IN CHINA | |

RoHs Compliant



25pcs*10=500 pcs/



REVISION HISTORY

| rev. | description | date |
|------|-----------------------------------|------------|
| 1.0 | initial release | 06/08/2020 |
| 1.01 | logo, datasheet style update | 08/05/2022 |
| 1.02 | CUI Devices rebranded to Same Sky | 09/11/2024 |

The revision history provided is for informational purposes only and is believed to be accurate.



Same Sky offers a one (1) year limited warranty. Complete warranty information is listed on our website.

Same Sky reserves the right to make changes to the product at any time without notice. Information provided by Same Sky is believed to be accurate and reliable. However, no responsibility is assumed by Same Sky for its use, nor for any infringements of patents or other rights of third parties which may result from its use.

Same Sky products are not authorized or warranted for use as critical components in equipment that requires an extremely high level of reliability. A critical component is any component of a life support device or system whose failure to perform can be reasonably expected to cause the failure of the life support device or system, or to affect its safety or effectiveness.

[sameskydevices.com](https://www.sameskydevices.com)