



## MODEL: CES-391715-18PM-67 | DESCRIPTION: SPEAKER

### FEATURES

- 1 W rated power
- 8 ohm rated impedance
- IP67 rated



### SPECIFICATIONS

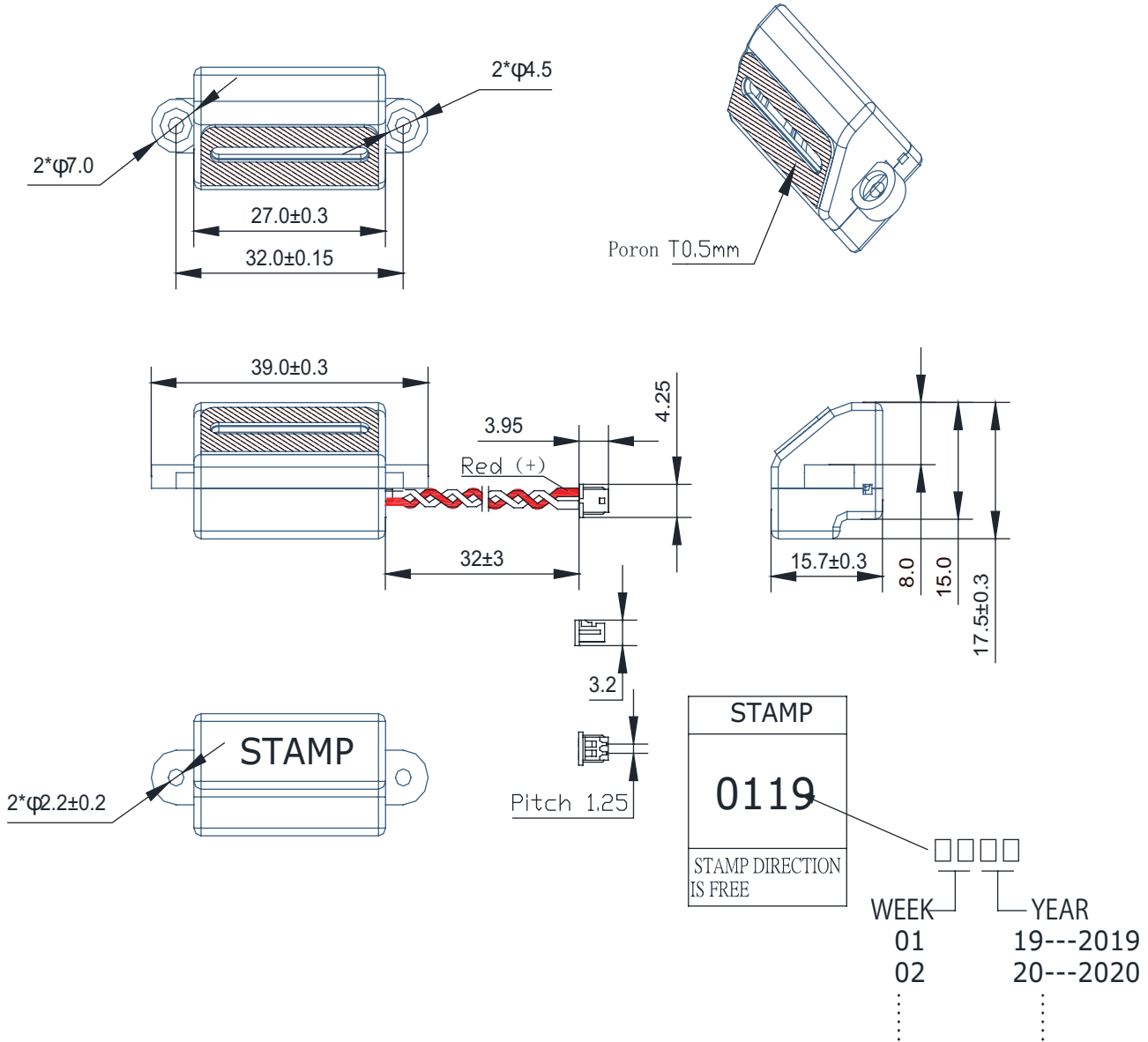
parameter	conditions/description	min	typ	max	units
input power	max power: IEC-60268-5, filter 60 seconds on, 120 seconds off, 10 cycles (room temp)		1.0	2.0	W
impedance	at 2.0 kHz	6.8	8	9.2	$\Omega$
resonant frequency (Fo)	at 1.0 V	880	1,100	1,320	Hz
frequency response		Fo		6,000	Hz
sound pressure level	at 1.0 W, 10 cm, avg at 2.0 kHz	89	92	95	dB
distortion	at 2.0 kHz, rated power, 10 cm			10	%
buzz, rattle, etc.	must be normal at sine wave, frequency range			2.83	V
polarity	cone moves forward w/ positive dc current to "+" terminal				
dimensions	27.0 x 17.5 x 15.7				mm
magnet	Nd-Fe-B				
enclosure material	ABS				
cone material	PU+PEI				
terminal	wire leads with connector				
weight			4.5		g
operating temperature		-30		70	$^{\circ}\text{C}$
storage temperature		-30		70	$^{\circ}\text{C}$
RoHS	yes				
IP level	IP67 (front side)				

Notes: 1. All specifications measured at 15-35 $^{\circ}\text{C}$ , humidity at 25-75%, under 86-106 kPa pressure, unless otherwise noted.

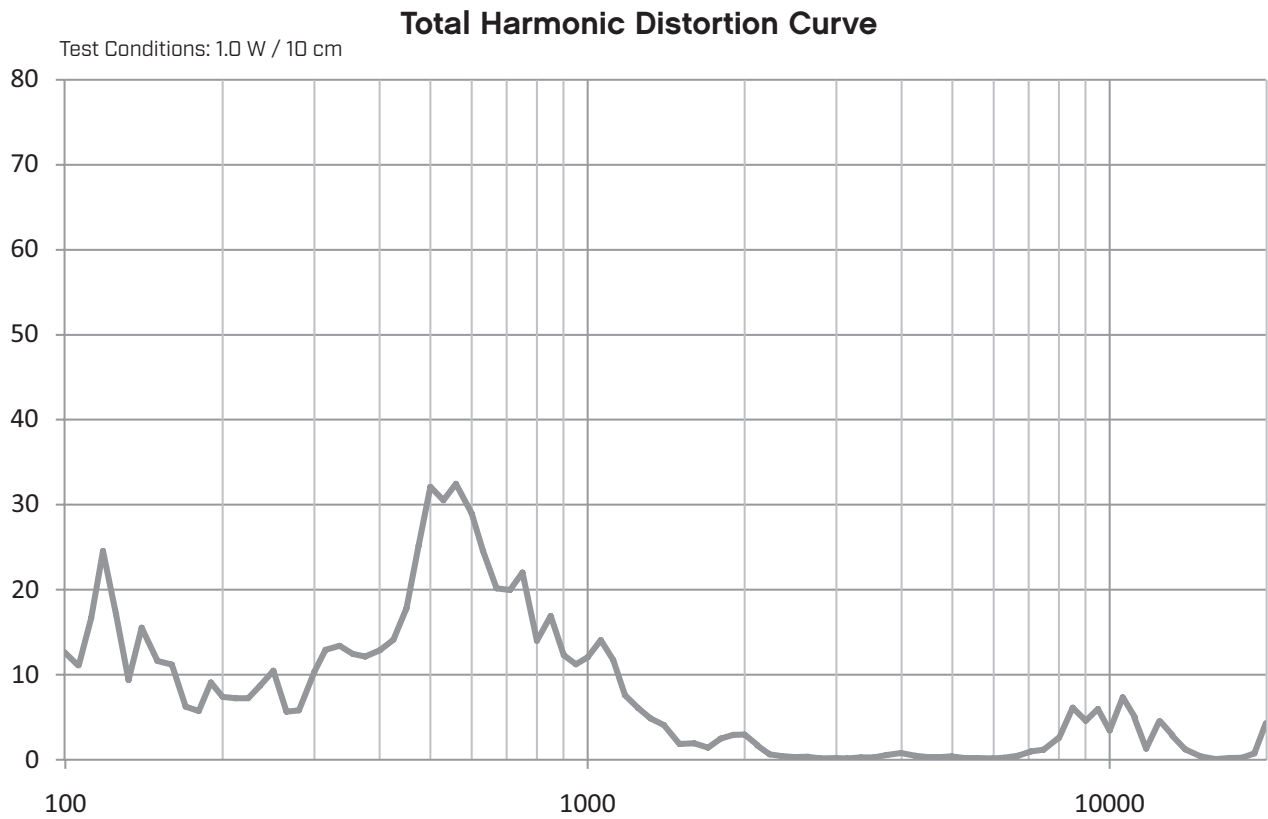
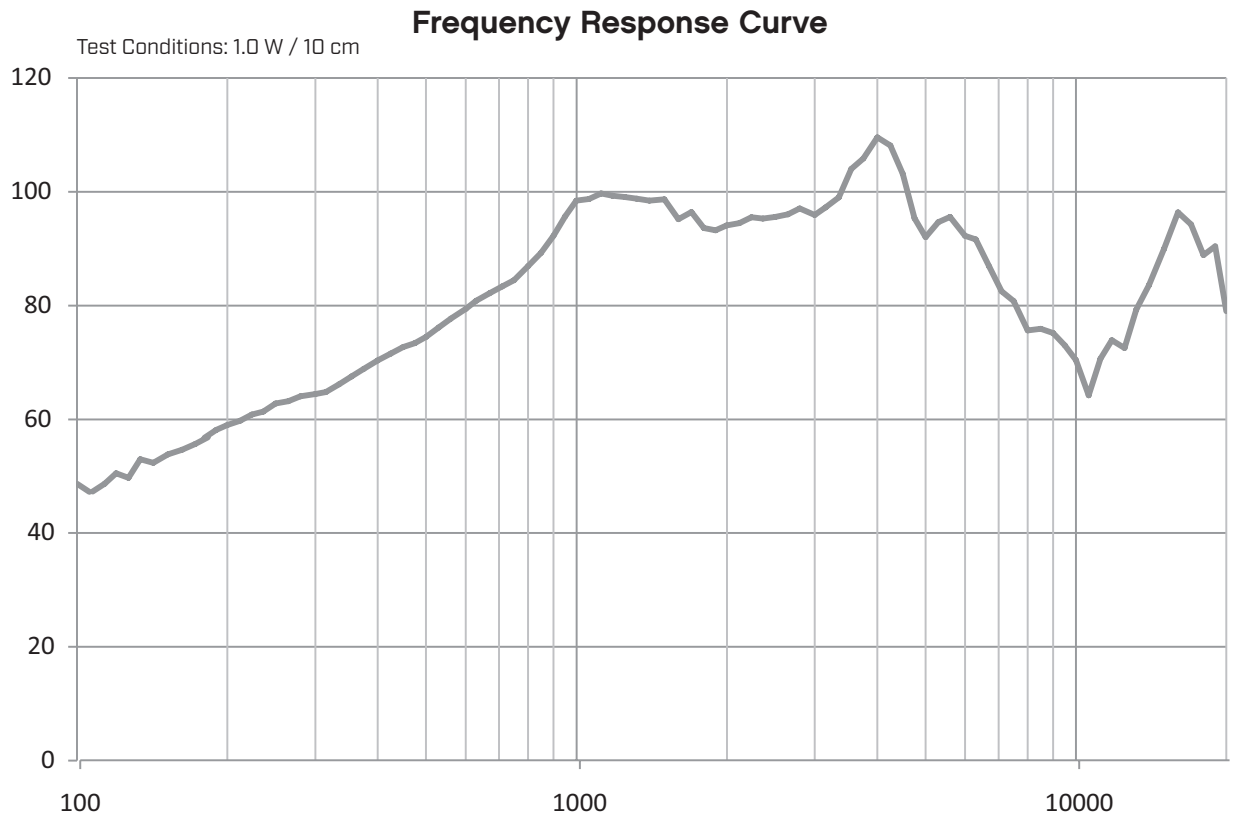
## MECHANICAL DRAWING

units: mm  
tolerance: ±0.5 mm

wire: UL1571 32 AWG  
internal speaker: CMS-25145-18SP  
connector: Molex 51021-0200 or equivalent; P=1.25



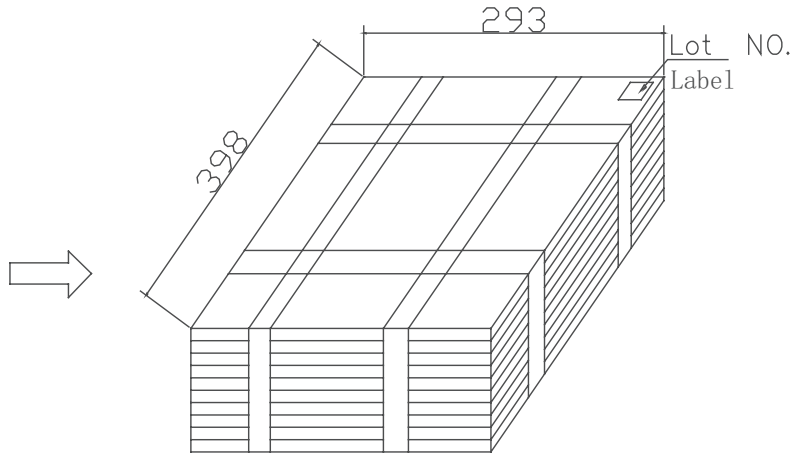
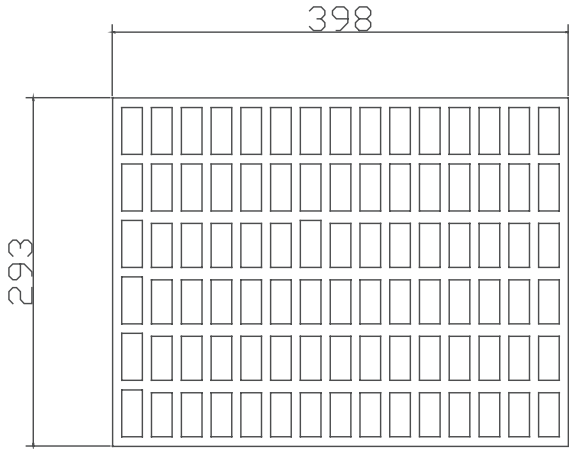
## RESPONSE CURVES



## PACKAGING

units: mm

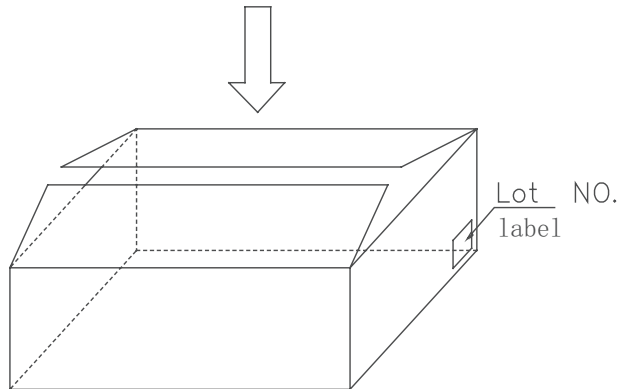
Tray Size: 398 x 293 x 21.5 mm  
 Tray QTY: 90 pcs per tray  
 Carton Size: 418 x 313 x 365 mm  
 Carton QTY: 1,530 pcs per carton



Paper(3mm-1)+Bubble cotton(18.5mm)

Lot No.	XXXXXXXXXX
Part No.	Inv#. Part#.
Quantity.	XXXX Pcs
Date:	
	DD MM YY
	MADE IN CHINA

**RoHs Compliant**



CARTON BOX(1530PCS)  
418×313×365MM

2Corrugated layer, thickness  
7mm

## REVISION HISTORY

rev.	description	date
1.0	initial release	06/08/2020
1.01	logo, datasheet style update	08/05/2022
1.02	CUI Devices rebranded to Same Sky	09/11/2024

The revision history provided is for informational purposes only and is believed to be accurate.



Same Sky offers a one (1) year limited warranty. Complete warranty information is listed on our website.

Same Sky reserves the right to make changes to the product at any time without notice. Information provided by Same Sky is believed to be accurate and reliable. However, no responsibility is assumed by Same Sky for its use, nor for any infringements of patents or other rights of third parties which may result from its use.

Same Sky products are not authorized or warranted for use as critical components in equipment that requires an extremely high level of reliability. A critical component is any component of a life support device or system whose failure to perform can be reasonably expected to cause the failure of the life support device or system, or to affect its safety or effectiveness.

[sameskydevices.com](https://www.sameskydevices.com)