

Product Change Notice (PCN)

Date: **08/23/2024**

PCN Number: **PCN-0457001R-01**

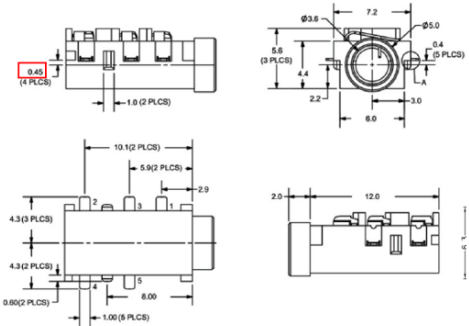
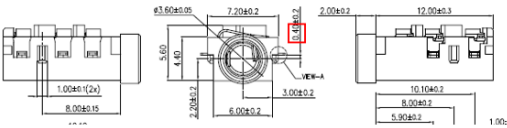
To Our Customers:

We appreciate your use of our products. Our commitment in maintaining and improving processes is demonstrated by plans to enhance our product quality, reliability, and manufacturability. The purpose of this notice is to inform you of a product change.

Product(s) Affected: **SJ-3503-SMT-TR**

Reason(s) for Change: *Manufacturing Improvement processes*

Description of Change: *New Factory Location. Product re-engineered for improved manufacturability and production yield. See image below for reference and check CUI Devices website for updated drawing. Cosmetic differences may be visible but will not affect the form fit and function of the product.*

PREVIOUS CUI DETAIL / IMAGE	NEW CUI DEVICES DETAIL / IMAGE																																				
																																					
<table border="1"> <thead> <tr> <th>DESCRIPTION</th> <th>MATERIAL</th> <th>PLATING/COLOR</th> </tr> </thead> <tbody> <tr> <td>terminal 1</td> <td>copper alloy</td> <td>gold flash</td> </tr> <tr> <td>terminal 2</td> <td>copper alloy</td> <td>gold flash</td> </tr> <tr> <td>terminal 3</td> <td>copper alloy</td> <td>gold flash</td> </tr> <tr> <td>terminal 4</td> <td>copper alloy</td> <td>gold flash</td> </tr> <tr> <td>terminal 5</td> <td>copper alloy</td> <td>gold flash</td> </tr> <tr> <td>shield</td> <td>stainless steel</td> <td></td> </tr> <tr> <td>housing</td> <td>PAST (UL94V-0)</td> <td>black</td> </tr> </tbody> </table>	DESCRIPTION	MATERIAL	PLATING/COLOR	terminal 1	copper alloy	gold flash	terminal 2	copper alloy	gold flash	terminal 3	copper alloy	gold flash	terminal 4	copper alloy	gold flash	terminal 5	copper alloy	gold flash	shield	stainless steel		housing	PAST (UL94V-0)	black	<table border="1"> <thead> <tr> <th>DESCRIPTION</th> <th>MATERIAL</th> <th>PLATING/COLOR</th> </tr> </thead> <tbody> <tr> <td>terminal 1-5</td> <td>copper alloy</td> <td>gold flash over nickel</td> </tr> <tr> <td>shield</td> <td>stainless steel</td> <td></td> </tr> <tr> <td>housing</td> <td>PA10T (UL94V-0)</td> <td>black</td> </tr> </tbody> </table>	DESCRIPTION	MATERIAL	PLATING/COLOR	terminal 1-5	copper alloy	gold flash over nickel	shield	stainless steel		housing	PA10T (UL94V-0)	black
DESCRIPTION	MATERIAL	PLATING/COLOR																																			
terminal 1	copper alloy	gold flash																																			
terminal 2	copper alloy	gold flash																																			
terminal 3	copper alloy	gold flash																																			
terminal 4	copper alloy	gold flash																																			
terminal 5	copper alloy	gold flash																																			
shield	stainless steel																																				
housing	PAST (UL94V-0)	black																																			
DESCRIPTION	MATERIAL	PLATING/COLOR																																			
terminal 1-5	copper alloy	gold flash over nickel																																			
shield	stainless steel																																				
housing	PA10T (UL94V-0)	black																																			

PREVIOUS CUI DETAIL / IMAGE	NEW CUI DEVICES DETAIL / IMAGE																																																
<p>SOLDERABILITY</p> <table border="1"> <thead> <tr> <th>parameter</th> <th>conditions/description</th> <th>min</th> <th>typ</th> <th>max</th> <th>units</th> </tr> </thead> <tbody> <tr> <td>reflow storage</td> <td>10-30°C, <70% humidity</td> <td></td> <td></td> <td></td> <td>°C</td> </tr> <tr> <td>reflow soldering</td> <td>see reflow profile</td> <td>250</td> <td>260</td> <td></td> <td>°C</td> </tr> <tr> <td>drying conditions¹</td> <td>parts in reel: bake at 110°C for 4 hours parts removed from reel: bake at 110°C for 4 hours</td> <td></td> <td></td> <td></td> <td></td> </tr> </tbody> </table> <p><small>Note: 1. CUI Device recommends to solder within 72 hours from opening vacuum packaging at a temperature >20°C @ relative humidity <65%. 2. Intersecting from 90 to 140 hours.</small></p>	parameter	conditions/description	min	typ	max	units	reflow storage	10-30°C, <70% humidity				°C	reflow soldering	see reflow profile	250	260		°C	drying conditions ¹	parts in reel: bake at 110°C for 4 hours parts removed from reel: bake at 110°C for 4 hours					<p>SOLDERABILITY</p> <table border="1"> <thead> <tr> <th>parameter</th> <th>conditions/description</th> <th>min</th> <th>typ</th> <th>max</th> <th>units</th> </tr> </thead> <tbody> <tr> <td>reflow storage</td> <td>5-35°C, <75% humidity</td> <td></td> <td></td> <td></td> <td>°C</td> </tr> <tr> <td>reflow soldering</td> <td>see reflow profile</td> <td></td> <td></td> <td>260</td> <td>°C</td> </tr> <tr> <td>drying conditions</td> <td>bake at 120°C for 4 hours</td> <td></td> <td></td> <td></td> <td></td> </tr> </tbody> </table>	parameter	conditions/description	min	typ	max	units	reflow storage	5-35°C, <75% humidity				°C	reflow soldering	see reflow profile			260	°C	drying conditions	bake at 120°C for 4 hours				
parameter	conditions/description	min	typ	max	units																																												
reflow storage	10-30°C, <70% humidity				°C																																												
reflow soldering	see reflow profile	250	260		°C																																												
drying conditions ¹	parts in reel: bake at 110°C for 4 hours parts removed from reel: bake at 110°C for 4 hours																																																
parameter	conditions/description	min	typ	max	units																																												
reflow storage	5-35°C, <75% humidity				°C																																												
reflow soldering	see reflow profile			260	°C																																												
drying conditions	bake at 120°C for 4 hours																																																
<p>PACKAGING</p> <p>units: mm Reel Size: Ø380 mm Reel Qty: 250 pcs per reel</p>	<p>PACKAGING</p> <p>units: mm Reel Size: Ø380 mm Reel Qty: 250 pcs per reel</p> <p>NOTE: 1. CARRIER TAPE PACKING LENGTH TRAILER CONNECTORS LEADER(START) START END Empty ConnectorS Empty 2. FEELING FORCE: 0.2N-1.5N (20g-150g)</p>																																																

Affected Date Code: All orders placed after **08/05/2024**

Product Availability: *Pertaining to market availability*

PCN Approval:

Operations/Quality

Product Management