

Product Change Notice (PCN)

Date: **05/24/2024**

PCN Number: **PCN-0456175R**

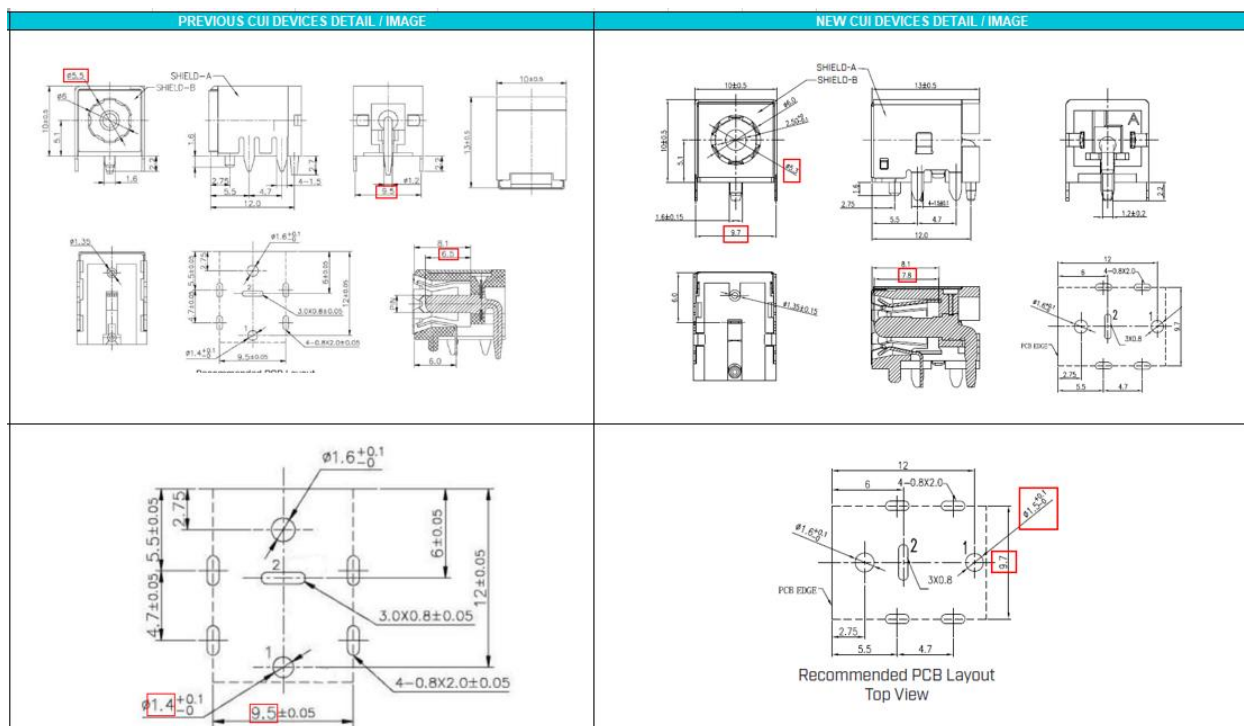
To Our Customers:

We appreciate your use of our products. Our commitment in maintaining and improving processes is demonstrated by plans to enhance our product quality, reliability, and manufacturability. The purpose of this notice is to inform you of a product change.

Product(s) Affected: **PJ-082BH**

Reason(s) for Change: **Manufacturing Improvement processes**

Description of Change: **New Factory Location. Product re-engineered for improved manufacturability and production yield. See image below for reference and check CUI Devices website for updated drawing. Cosmetic differences may be visible and not affect the form fit and function of the product.**



F-723-001

Revision: A

PREVIOUS CUI DEVICES DETAIL / IMAGE			NEW CUI DEVICES DETAIL / IMAGE		
DESCRIPTION	MATERIAL	PLATING/COLOR	DESCRIPTION	MATERIAL	PLATING/COLOR
terminal 1	brass	silver	center pin	zinc alloy	nickel
terminal 2	copper t=0.30	silver	terminal 1	zinc alloy	nickel
stopper	SUS 301 t=0.30		terminal 2	C519 t=0.30	silver
shield A	SPCC t=0.40	nickel	stopper	C2680 t=0.40	
shield B	SUS 301 t=0.15		shield A	SPCC t=0.30	nickel
housing	PA9T (UL94V-0)	black	shield B	SUS 301 t=0.10	
			housing	PA9T (UL94V-0)	black

PREVIOUS CUI DEVICES DETAIL / IMAGE

SOLDERABILITY

parameter	conditions/description	min	typ	max	units
reel storage	10-30°C, <70% humidity				°C
reflow soldering ¹	see reflow profile	255	260		°C
drying conditions ²	parts in reel: bake at 110°C for 4 hours parts removed from reel: bake at 110°C for 4 hours				

NOTE:

- CUI Devices recommends to solder within 12 hours from opening vacuum packaging at a temperature >30°C & relative humidity <65%.
- When exceeding floor life by >340 hours.

* Time 270°C is Peak Temp. --- 8 Minute Min.
* Time 210°C is Actual Peak Temp. --- 10-45 seconds

NEW CUI DEVICES DETAIL / IMAGE

SOLDERABILITY

parameter	conditions/description	min	typ	max	units
reel storage	10-30°C, <70% humidity				°C
reflow soldering ¹	see reflow profile	255	260		°C
drying conditions ²	parts in reel: bake at 110°C for 4 hours parts removed from reel: bake at 110°C for 4 hours				

NOTE:

- CUI Devices recommends to solder within 12 hours from opening vacuum packaging at a temperature >30°C & relative humidity <65%.
- When exceeding floor life by >340 hours.

PACKAGING

units: mm
Reel Size: 8330 mm
Reel QTY: 250 pcs per reel

TAPE & REEL
REEL SECTION
REELING DIRECTION
UNREELING DIRECTION

PACKAGING

units: mm
Reel Size: 8330 mm
Reel QTY: 250 pcs per reel

10 reels tied together



Affected Date Code: All orders placed after **05/15/2024**

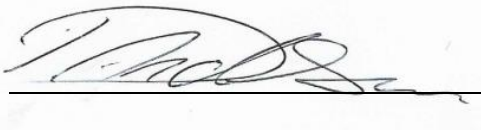
Product Availability: *Pertaining to market availability*

PCN Approval:

Operations/Quality

A handwritten signature in black ink, appearing to read "Rose Adams", is written over a horizontal line.

Product Management

A handwritten signature in black ink is written over a horizontal line. The signature is partially obscured by a light gray rectangular box.