

PREVIOUS CUI DEVICES DETAIL / IMAGE			NEW CUI DEVICES DETAIL / IMAGE		
	MATERIAL	PLATING		MATERIAL	PLATING/COLOR
terminal 1	copper alloy	silver	terminal 1	phosphor bronze	silver
terminal 2	copper alloy	silver	terminal 2	phosphor bronze	silver
terminal 3	copper alloy	silver	terminal 3	phosphor bronze	silver
terminal 4	copper alloy	silver	terminal 4	phosphor bronze	silver
plastic	PA10T		housing	PA9T (UL94V-0)	black

SPECIFICATIONS

parameter	conditions/description	min	typ	max	units
rated input voltage			12		Vdc
rated input current				1	A
contact resistance ¹	between terminal and mating plug between terminal in a closed circuit			150 30	mΩ mΩ
insulation resistance	at 500 Vdc	100			MΩ
voltage withstand	for 1 minute			500	Vac
insertion/withdrawal force		0.3		3	kg
operating temperature		-25		85	°C
life	at a rate of 24 cycles/minute		5,000		cycles
flammability rating	UL94V-0				
RoHS	yes				

SPECIFICATIONS

parameter	conditions/description	min	typ	max	units
rated input voltage			12		Vdc
rated input current				1	A
contact resistance	between terminal and mating plug between terminal in a closed circuit			100 30	mΩ mΩ
insulation resistance	at 500 Vdc	100			MΩ
voltage withstand	for 1 minute			500	Vac
insertion/withdrawal force		0.3		3	kg
operating temperature		-25		85	°C
life			5,000		cycles
flammability rating	UL94V-0				
RoHS	yes				

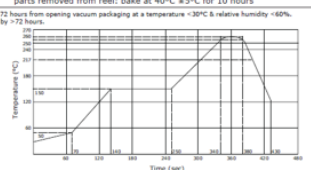
SOLDERABILITY

parameter	conditions/description	min	typ	max	units
reel storage	at relative humidity <80%			40	°C
reflow soldering ¹	see reflow profile	255	260	265	°C

drying conditions²

parts in reel: bake at 40°C ±5°C for 72 hours
parts removed from reel: bake at 40°C ±5°C for 10 hours

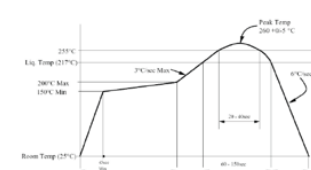
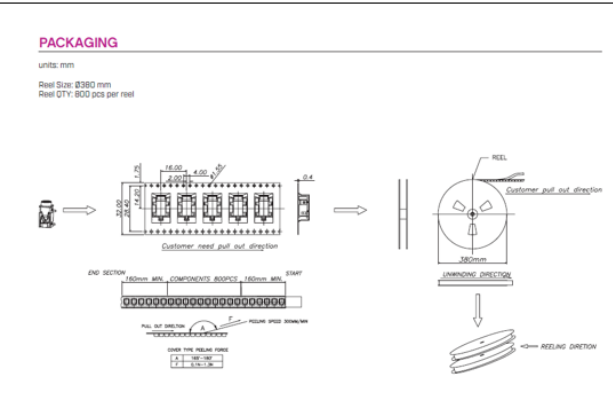
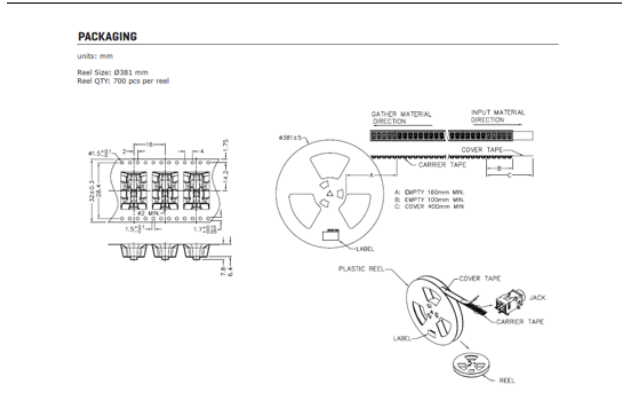
Note: 1. Must reflow solder within 72 hours from opening vacuum packaging at a temperature -30°C & relative humidity <60%.
2. When exceeding floor life by >72 hours.



SOLDERABILITY

parameter	conditions/description	min	typ	max	units
reel storage	<40°C, <80% humidity				
reflow soldering	see reflow profile	255	260	265	°C

Note: 1. CUI Devices recommends usage of the product within 24 hours after TSS is opened. After 24 hours, CUI Devices recommends drying the parts prior to use.



Affected Date Code: **10/01/2023**

Product Availability: *Pertaining to market availability*

PCN Approval:

Operations/Quality

A handwritten signature in black ink, appearing to read "Robert Griffin", written over a horizontal line.

Product Management

A handwritten signature in black ink, appearing to read "J. [unclear]", written over a horizontal line. The signature is contained within a light gray rectangular box.