

Product Change Notice (PCN)

Date: **10/20/2023**

PCN Number: **PCN-0451604R-01**

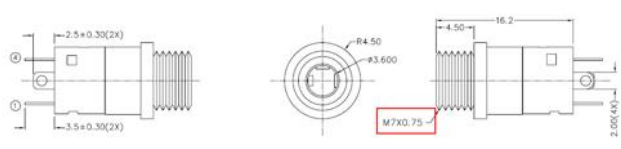
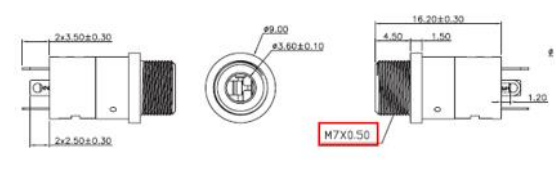
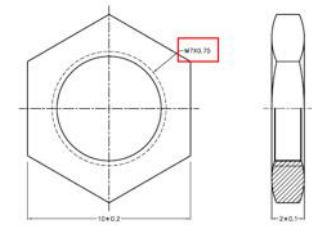
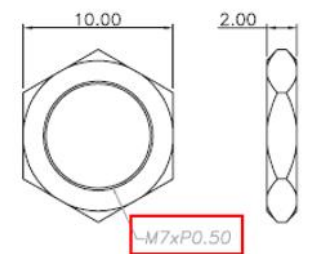
To Our Customers:

We appreciate your use of our products. Our commitment in maintaining and improving processes is demonstrated by plans to enhance our product quality, reliability, and manufacturability. The purpose of this notice is to inform you of a product change.

Product(s) Affected: **SJ1-43502PM**

Reason(s) for Change: *Manufacturing Improvement processes*

Description of Change: *Minor internal difference and material update. See image Below*

PREVIOUS CUI DEVICES DETAIL / IMAGE			NEW CUI DEVICES DETAIL / IMAGE		
					
					
	MATERIAL	PLATING		DESCRIPTION	PLATING/COLOR
terminal 1	copper alloy	tin	terminal 1	bronze ±0.25 mm	tin
terminal 2	copper alloy	tin	terminal 2	bronze ±0.30 mm	tin
terminal 3	copper alloy	tin	terminal 3	bronze ±0.25 mm	tin
terminal 4	copper alloy	tin	terminal 4	bronze ±0.25 mm	tin
bushing	brass	nickel	bushing	brass	nickel
nut	brass	nickel	nut	brass	nickel
plastic	PA66		housing	PA48 [UL94V-0]	black

F-723-001

Revision: A



Affected Date Code: **07/27/2023**

Product Availability: *Pertaining to market availability*

PCN Approval:

Operations/Quality

A handwritten signature in black ink, appearing to read "Robert D. Davis", is written over a horizontal line.

Product Management

A handwritten signature in black ink is written over a horizontal line. The signature is partially obscured by a light gray rectangular box.