

Product Change Notice (PCN)

Date: 11/7/2019

PCN Number: PCN-0451318R-01

To Our Customers:

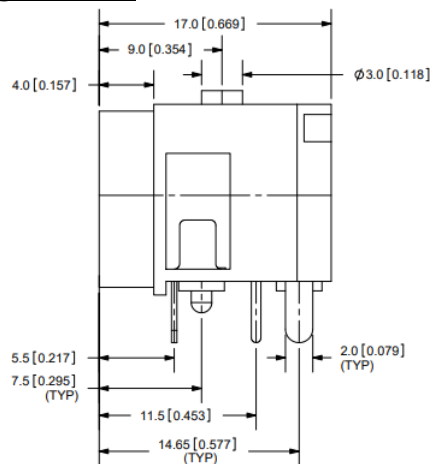
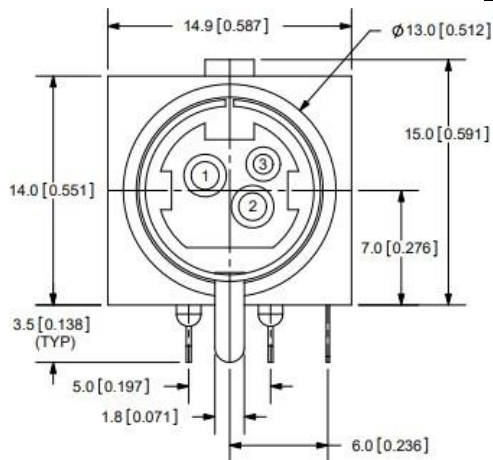
We appreciate your use of CUI Devices products. Our commitment in maintaining and improving processes is demonstrated by plans to enhance our product quality, reliability and manufacturability. The purpose of this notice is to inform you of a product change.

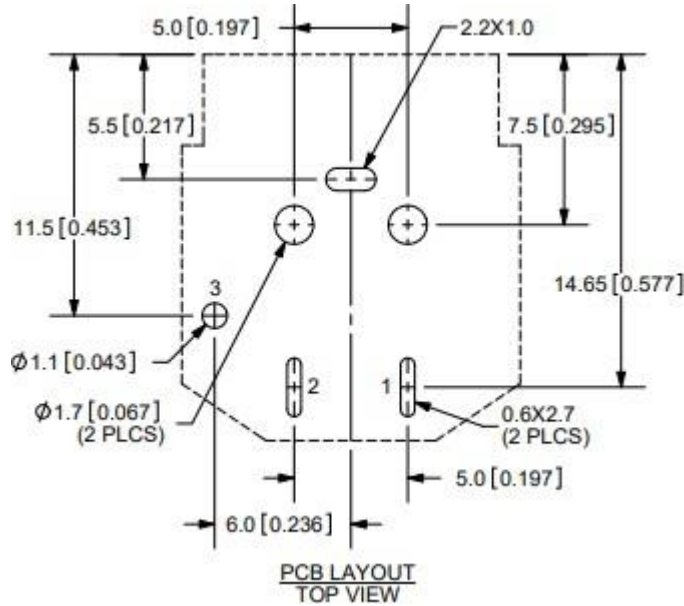
Product(s) Affected: PD-30 and PD-40

Reason(s) for Change: Manufacturing build location change

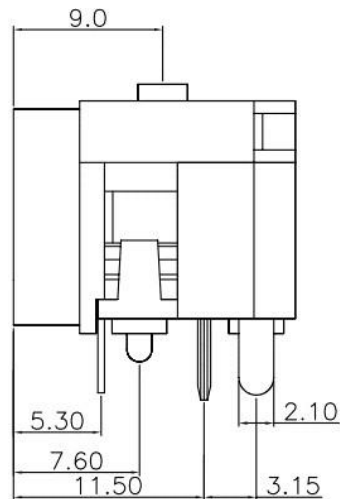
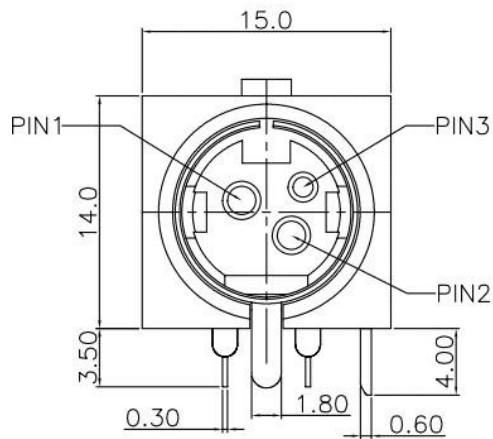
Description of Change: Housing and PCB layout changes as shown below.

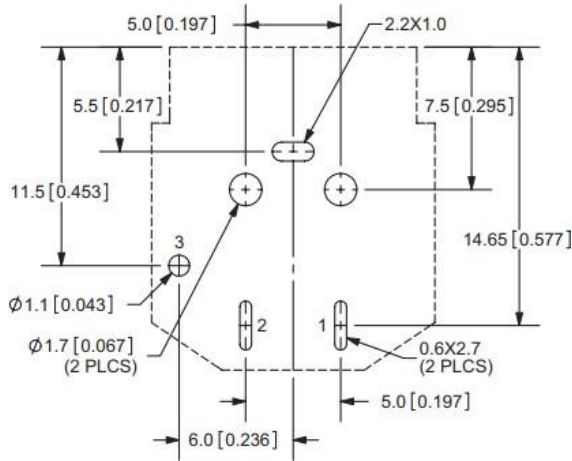
Old Design PD-30





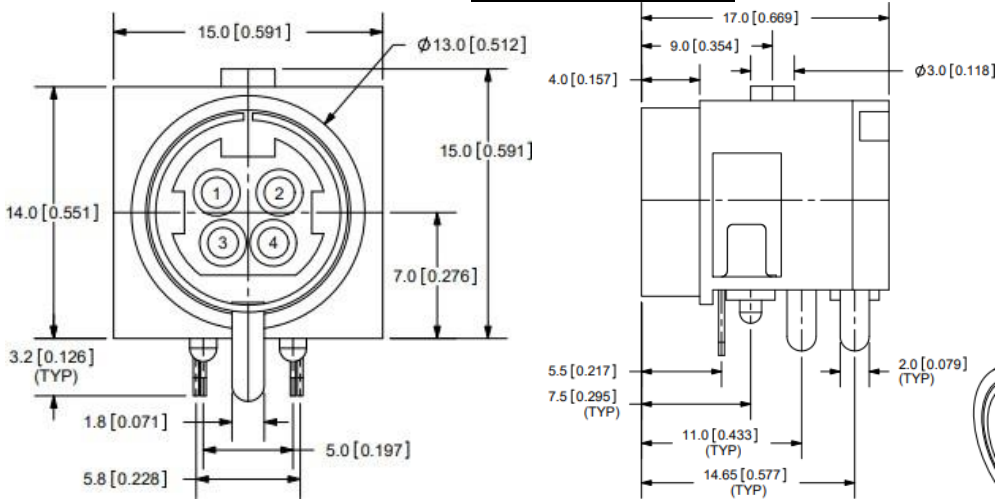
New Design PD-30

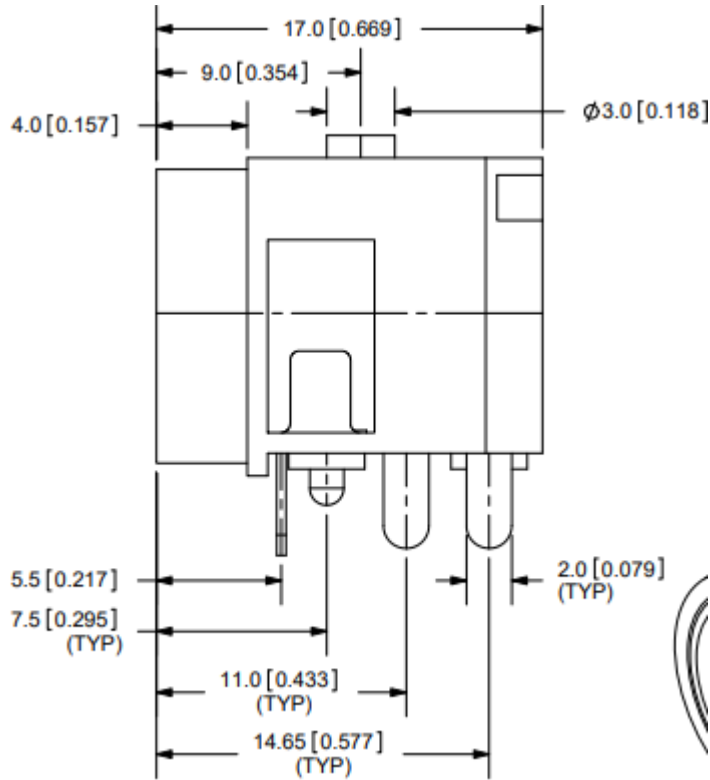




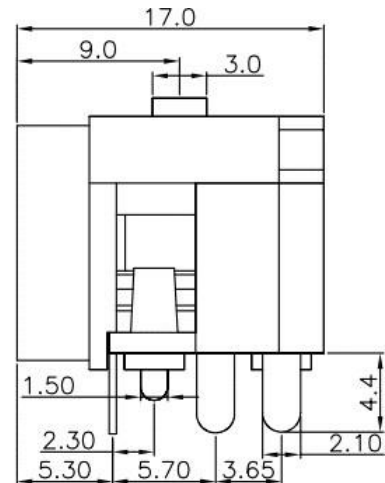
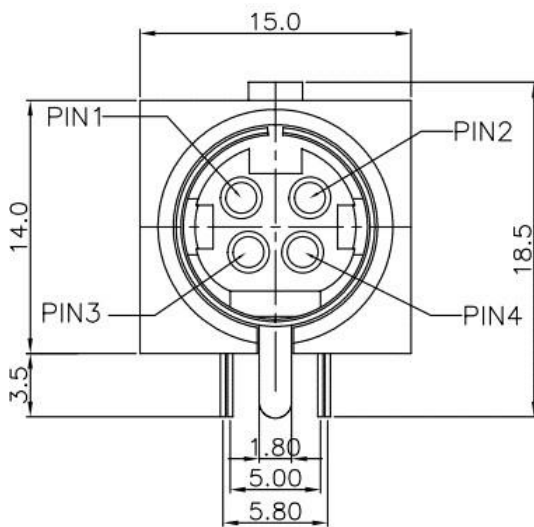
Recommended PCB Layout
Top View

Old Design PD-40





New Design PD-40



CUI DEVICES

20050 SW 112th Ave. Tualatin, Oregon 97062
phone: 800.275.4899 fax: 503.612.2383
www.cuidevices.com

	MATERIAL	PLATING
housing	PBT (UL94V-0)	
contact	phoshor bronze	silver
ground	brass	nickel
shell	SPCC	tin

Affected Date Code: 11/7/2019

Product Availability: currently available

Additional Information: none

PCN Approval:

Operations/Quality



Product Marketing

