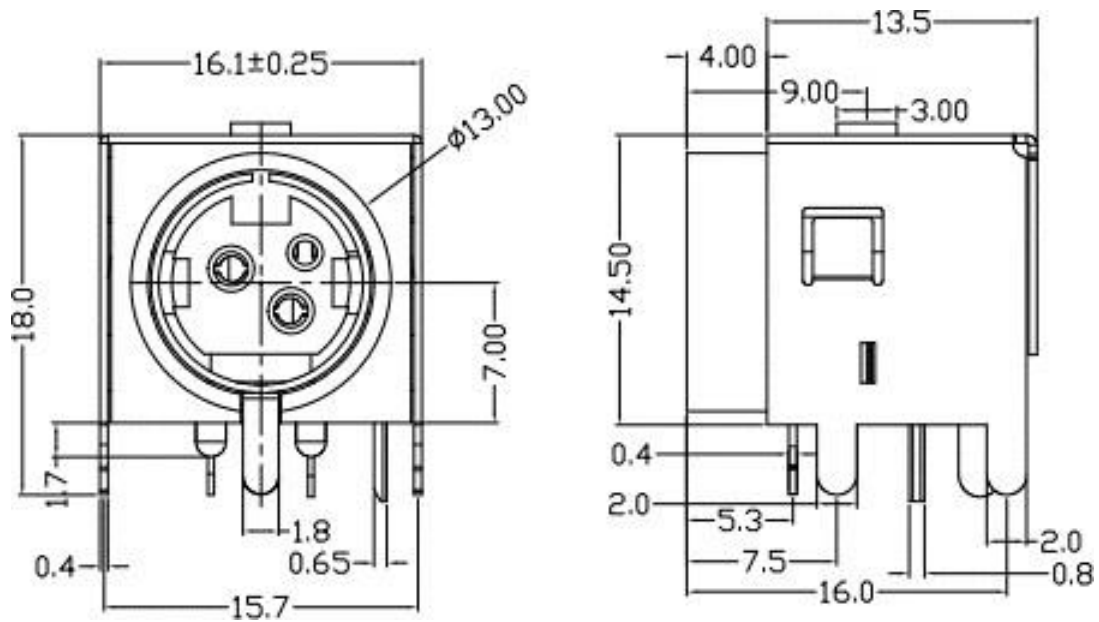
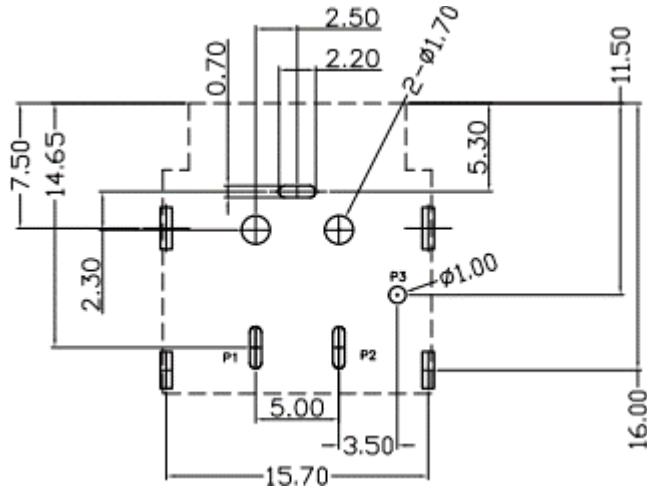
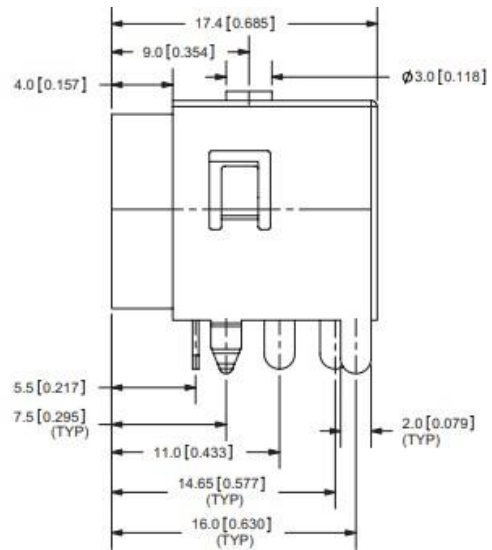
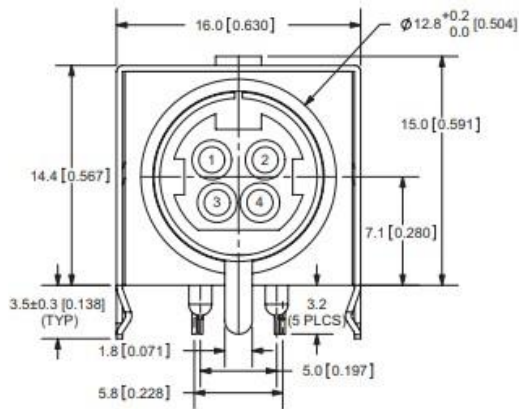


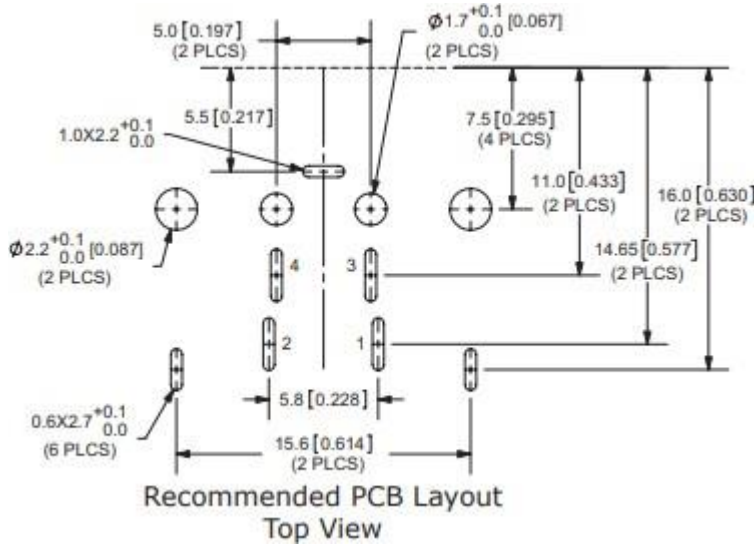
New Design PD-30S



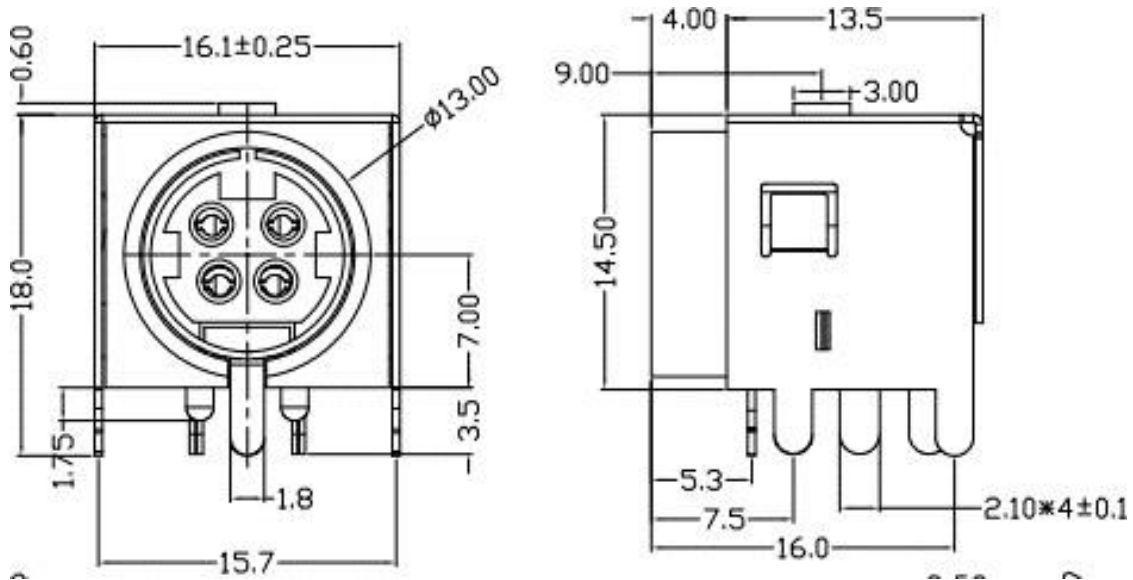


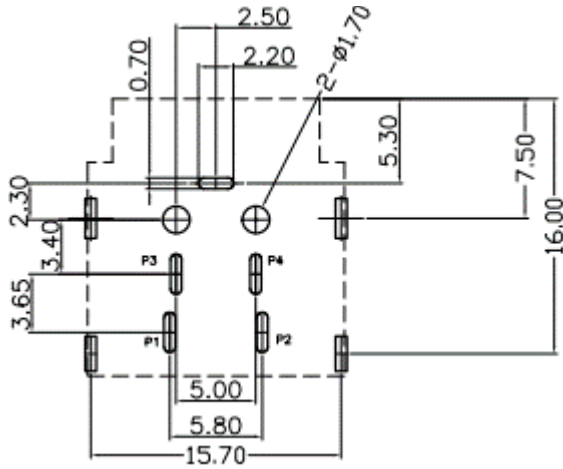
Old Design PD-40S





New Design PD-40S





Old design materials (PD-30S)

	MATERIAL	PLATING
TERMINAL 1	Phosphor Bronze	Tin
TERMINALS 2-3	Brass	Tin
EARTH TERMINAL	Brass	Tin
SHIELD	Steel	Tin
HOUSING	PBT	

New design materials (PD-30S)

	MATERIAL	PLATING
housing	PBT (UL94V-0)	
contact	phoshor bronze	silver
ground	brass	nickel
shell	SPCC	tin

Old design materials (PD-40S)

	MATERIAL	PLATING
terminal 1	brass	tin
terminal 2	brass	tin
terminal 3	brass	tin
terminal 4	brass	tin
earth terminal	brass	tin
shield	steel	tin
plastic	PBT	

New design materials (PD-40S)

CUI DEVICES

20050 SW 112th Ave. Tualatin, Oregon 97062
phone: 800.275.4899 fax: 503.612.2383
www.cuidevices.com

	MATERIAL	PLATING
housing	PBT (UL94V-0)	
contact	phosphor bronze	silver
ground	brass	nickel
shell	SPCC	tin

Affected Date Code: 12/10/2019 for PD-40S, 11/15/19 for PD-30S

Product Availability: currently available

Additional Information: none

PCN Approval:

Operations/Quality



Product Marketing

