

Product Change Notice (PCN)

Date: **03/09/2022**

PCN Number: **PCN-0451241R-01**

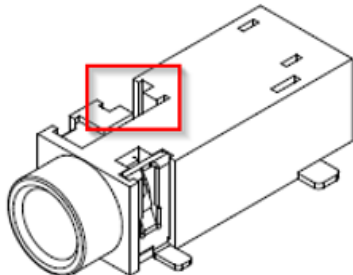
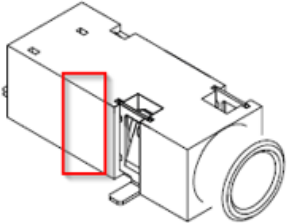
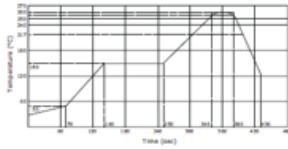
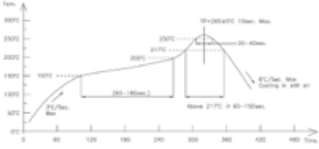
To Our Customers:

We appreciate your use of our products. Our commitment in maintaining and improving processes is demonstrated by plans to enhance our product quality, reliability, and manufacturability. The purpose of this notice is to inform you of a product change.

Product(s) Affected: **MJ-3523-SMT-TR**

Reason(s) for Change: **Manufacturing process improvements**

Description of Change: **Minor Housing and reflow differences. See image Below**

PREVIOUS CUI DEVICES DETAIL / IMAGE	NEW CUI DEVICES DETAIL / IMAGE																														
																															
<p>SOLDERABILITY</p> <table border="1"> <thead> <tr> <th>parameter</th> <th>conditions/description</th> <th>min</th> <th>typ</th> <th>max</th> <th>units</th> </tr> </thead> <tbody> <tr> <td>lead storage</td> <td>at relative humidity <math>\le 60\%</math></td> <td></td> <td>40</td> <td></td> <td>$^{\circ}\text{C}$</td> </tr> <tr> <td>reflow soldering*</td> <td>see reflow profile</td> <td>235</td> <td>260</td> <td>265</td> <td>$^{\circ}\text{C}$</td> </tr> </tbody> </table> <p><small>Note: * It is recommended to reflow solder within 72 hours from opening vacuum packaging at a temperature <math>\le 30^{\circ}\text{C}</math> & relative humidity <math>\le 60\%</math>.</small></p> 	parameter	conditions/description	min	typ	max	units	lead storage	at relative humidity $\le 60\%$		40		$^{\circ}\text{C}$	reflow soldering*	see reflow profile	235	260	265	$^{\circ}\text{C}$	<p>SOLDERABILITY</p> <table border="1"> <thead> <tr> <th>parameter</th> <th>conditions/description</th> <th>min</th> <th>typ</th> <th>max</th> <th>units</th> </tr> </thead> <tbody> <tr> <td>reflow soldering</td> <td>see reflow profile</td> <td>260</td> <td>285</td> <td>270</td> <td>$^{\circ}\text{C}$</td> </tr> </tbody> </table> 	parameter	conditions/description	min	typ	max	units	reflow soldering	see reflow profile	260	285	270	$^{\circ}\text{C}$
parameter	conditions/description	min	typ	max	units																										
lead storage	at relative humidity $\le 60\%$		40		$^{\circ}\text{C}$																										
reflow soldering*	see reflow profile	235	260	265	$^{\circ}\text{C}$																										
parameter	conditions/description	min	typ	max	units																										
reflow soldering	see reflow profile	260	285	270	$^{\circ}\text{C}$																										



Affected Date Code: *03/07/2023*

Product Availability: *Pertaining to market availability*

PCN Approval:

Operations/Quality

A handwritten signature in black ink, appearing to read "Raquel D. Garcia", written over a horizontal line.

Product Management

A handwritten signature in black ink, written over a horizontal line. The signature is somewhat stylized and difficult to decipher.