

Product Change Notice (PCN)

Date: 10/15/2019

PCN Number: PCN-0450780R-01

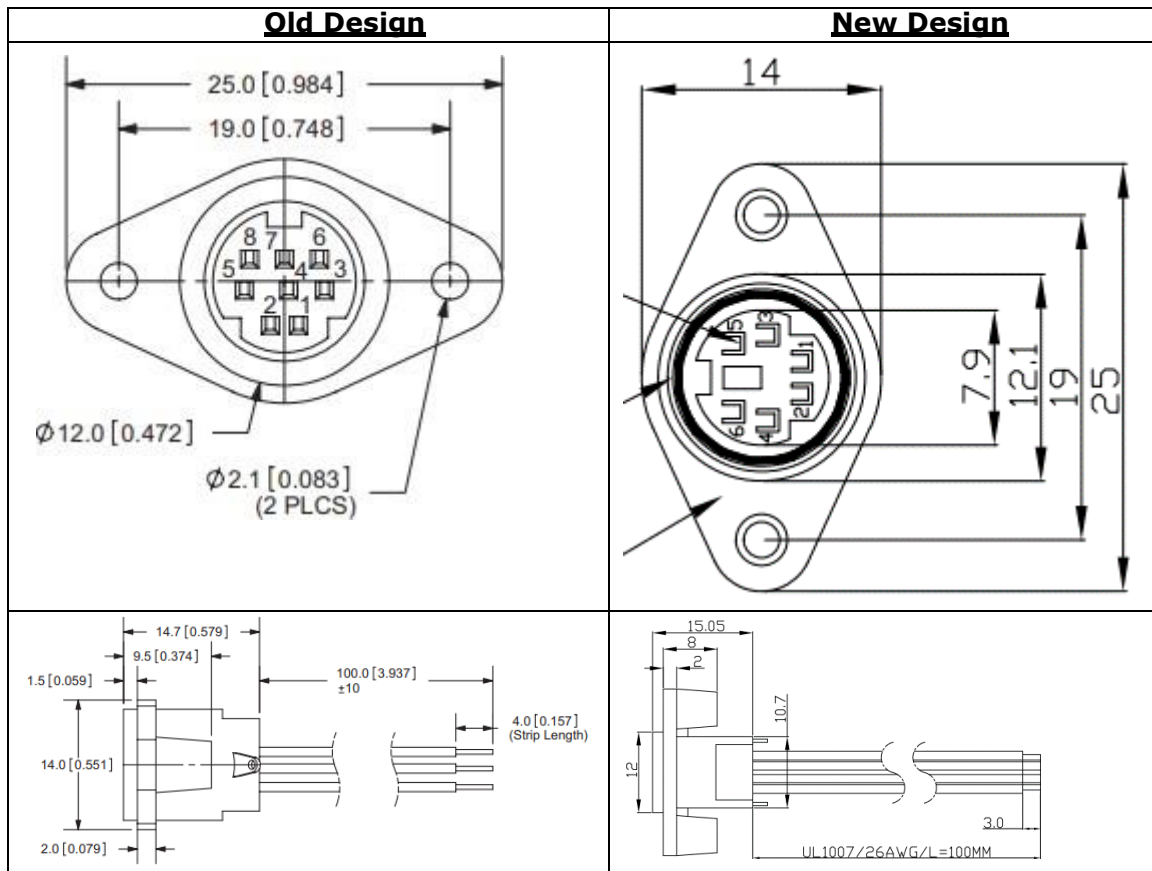
To Our Customers:

We appreciate your use of CUI Devices products. Our commitment in maintaining and improving processes is demonstrated by plans to enhance our product quality, reliability and manufacturability. The purpose of this notice is to inform you of a product change.

Product(s) Affected: MD-PL100 series (part numbers MD-30PL100, MD-40PL100, MD-50PL100, MD-60PL100, MD-80PL100).

Reason(s) for Change: Manufacturing build location change

Description of Change: minor housing changes and materials changes as shown below.



Old design materials

| | MATERIAL | PLATING |
|-------------------------|-----------------|---------|
| earth terminal | brass | tin |
| contact terminals (1~8) | phosphor bronze | tin |
| wire | AWG #26 | |
| plastic | PBT | |

New design materials

| | MATERIAL | PLATING |
|-------------------|-----------------|---------|
| body | PBT (UL94V-0) | |
| earth terminal | phosphor bronze | nickel |
| contact terminals | phosphor bronze | tin |
| wire | UL 1007/AWG #26 | |

Affected Date Code: 11/1/2019

Product Availability: currently available

Additional Information: none

PCN Approval:

Operations/Quality



Product Marketing

