



Product Change Notice (PCN)

Date: 06/08/2023

PCN Number: PCN-0450578R-02

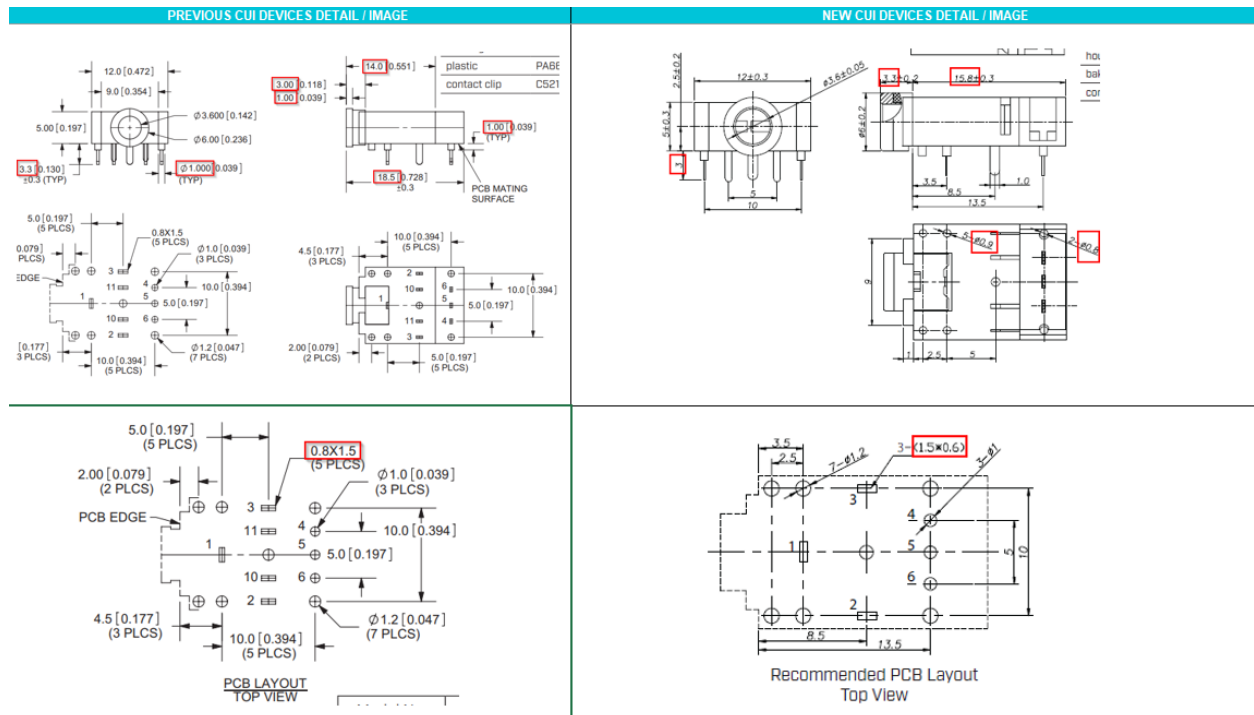
To Our Customers:

We appreciate your use of our products. Our commitment in maintaining and improving processes is demonstrated by plans to enhance our product quality, reliability, and manufacturability. The purpose of this notice is to inform you of a product change.

Product(s) Affected: **SJ-3566AN**

Reason(s) for Change: **Manufacturing process improvements**

Description of Change: **Minor Housing and footprint differences. Material Change on the housing and terminals. See image Below**



F-723-001

Revision: A

PREVIOUS CUI DEVICES DETAIL / IMAGE			NEW CUI DEVICES DETAIL / IMAGE		
	MATERIAL	PLATING	DESCRIPTION	MATERIAL	PLATING/COLOR
terminal 1	copper alloy	silver	terminal 1	brass t=0.20	tin over nickel
terminal 2	stainless steel	silver	terminal 2	stainless steel t=0.25	silver over nickel
terminal 3	copper alloy	silver	terminal 3	stainless steel t=0.2	silver over nickel
terminal 4	brass	silver	terminal 4	brass t=0.35	silver over nickel
terminal 5	brass	silver	terminal 5	brass t=0.35	silver over nickel
terminal 6	brass	silver	terminal 6	brass t=0.35	silver over nickel
terminal 10	brass	silver	bushing	copper alloy	nickel
terminal 11	brass	silver	switch/slide housing	PA66+15%GF (UL94V-0)	black
bushing	brass	nickel	housing	PBT UL94V-0	black
plastic	PA66		bakelite	PF	brown
contact clip	C5210	silver	contact clip	copper alloy t=0.05	silver over nickel

PREVIOUS CUI DEVICES DETAIL / IMAGE						NEW CUI DEVICES DETAIL / IMAGE						
SPECIFICATIONS						SPECIFICATIONS						
parameter	conditions/description	min	typ	max	units	parameter	conditions/description	min	typ	max	units	
rated input voltage			12		Vdc	rated input voltage			15		Vdc	
rated input current			1		A	rated input current			1		A	
contact resistance	between terminal and mating plug between terminal in a closed circuit		50	90	mΩ	contact resistance	terminals 1-3 terminals 4-6			50	90	mΩ
insulation resistance	at 500 Vdc	100			MΩ	insulation resistance	at 500 Vdc	100				MΩ
voltage withstand	at 50/60Hz for 1 minute			500	Vac	voltage withstand	for 1 minute			500		Vac
insertion/withdrawal force		0.3		3	kg	insertion/withdrawal force		0.3		3		kg
terminal strength	any direction for 10 seconds			500	g	operating temperature		-20		70		°C
operating temperature		-40		85	°C	storage temperature		-40		85		°C
life			5,000		cycles	life			5,000			cycles
flammability rating	UL94V-0					flammability rating	UL94V-0					
RoHS	yes					RoHS	yes					

PREVIOUS CUI DEVICES DETAIL / IMAGE						NEW CUI DEVICES DETAIL / IMAGE					
SOLDERABILITY						SOLDERABILITY					
parameter	conditions/description	min	typ	max	units	parameter	conditions/description	min	typ	max	units
wave soldering	dipped in solder pot for 5±0.5 seconds at	255	260	265	°C	wave soldering	dipped in solder pot for 4-6 seconds		250		°C

Affected Date Code: **06/05/2023**

Product Availability: *Pertaining to market availability*

PCN Approval:

Operations/Quality



Product Management



F-723-001

Revision: A