

Product Change Notice (PCN)

Date: **3/30/2023**

PCN Number: **PCN-0450500R-01**

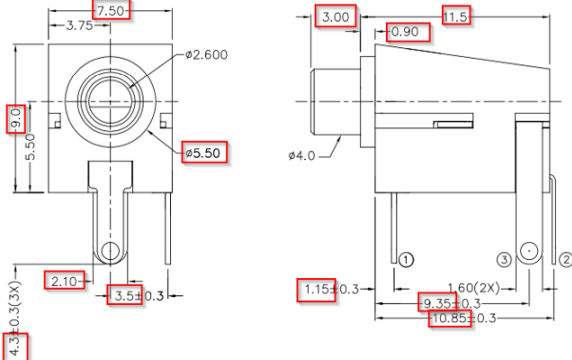
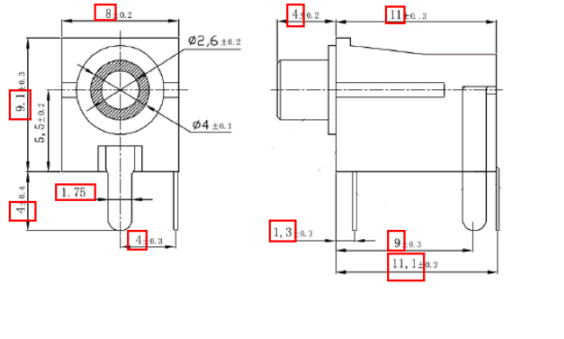
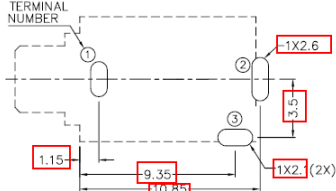
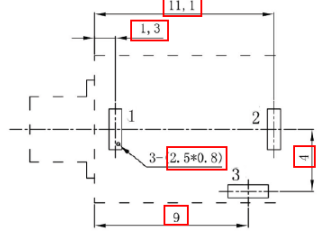
To Our Customers:

We appreciate your use of our products. Our commitment in maintaining and improving processes is demonstrated by plans to enhance our product quality, reliability, and manufacturability. The purpose of this notice is to inform you of a product change.

Product(s) Affected: MJ-2508N

Reason(s) for Change: *Manufacturing process improvements*

Description of Change: mechanical and material differences as shown below:

PREVIOUS CUI DEVICES DETAIL / IMAGE	NEW CUI DEVICES DETAIL / IMAGE																																				
																																					
 <p>Recommended PCB Layout Top View</p>	 <p>Recommended PCB Layout Top View</p>																																				
<table border="1"> <thead> <tr> <th></th> <th>MATERIAL</th> <th>PLATING</th> </tr> </thead> <tbody> <tr> <td>terminal 1</td> <td>brass</td> <td>tin</td> </tr> <tr> <td>terminal 2</td> <td>copper alloy</td> <td>tin</td> </tr> <tr> <td>terminal 3</td> <td>brass</td> <td>tin</td> </tr> <tr> <td>bushing</td> <td>brass</td> <td>nickel</td> </tr> <tr> <td>plastic</td> <td>PBT</td> <td></td> </tr> </tbody> </table>		MATERIAL	PLATING	terminal 1	brass	tin	terminal 2	copper alloy	tin	terminal 3	brass	tin	bushing	brass	nickel	plastic	PBT		<table border="1"> <thead> <tr> <th>DESCRIPTION</th> <th>MATERIAL</th> <th>PLATING/COLOR</th> </tr> </thead> <tbody> <tr> <td>terminal 1</td> <td>brass</td> <td>tin</td> </tr> <tr> <td>terminal 2</td> <td>brass</td> <td>tin</td> </tr> <tr> <td>terminal 3</td> <td>brass</td> <td>tin</td> </tr> <tr> <td>bushing</td> <td>brass</td> <td>tin</td> </tr> <tr> <td>housing</td> <td>PBT (UL94V-0)</td> <td>black</td> </tr> </tbody> </table>	DESCRIPTION	MATERIAL	PLATING/COLOR	terminal 1	brass	tin	terminal 2	brass	tin	terminal 3	brass	tin	bushing	brass	tin	housing	PBT (UL94V-0)	black
	MATERIAL	PLATING																																			
terminal 1	brass	tin																																			
terminal 2	copper alloy	tin																																			
terminal 3	brass	tin																																			
bushing	brass	nickel																																			
plastic	PBT																																				
DESCRIPTION	MATERIAL	PLATING/COLOR																																			
terminal 1	brass	tin																																			
terminal 2	brass	tin																																			
terminal 3	brass	tin																																			
bushing	brass	tin																																			
housing	PBT (UL94V-0)	black																																			

F-723-001

Revision: A



Affected Date Code: *3/24/23*

Product Availability: *Channel Availability Q2*

Additional Information:

PCN Approval:

Operations/Quality

A handwritten signature in black ink, appearing to be "John Hill", written over a horizontal line.

Product Management

Handwritten initials "RH" in black ink, written over a horizontal line.