

Product Change Notice (PCN)

Date: 01/21/2020

PCN Number: PCN-0450335R-01

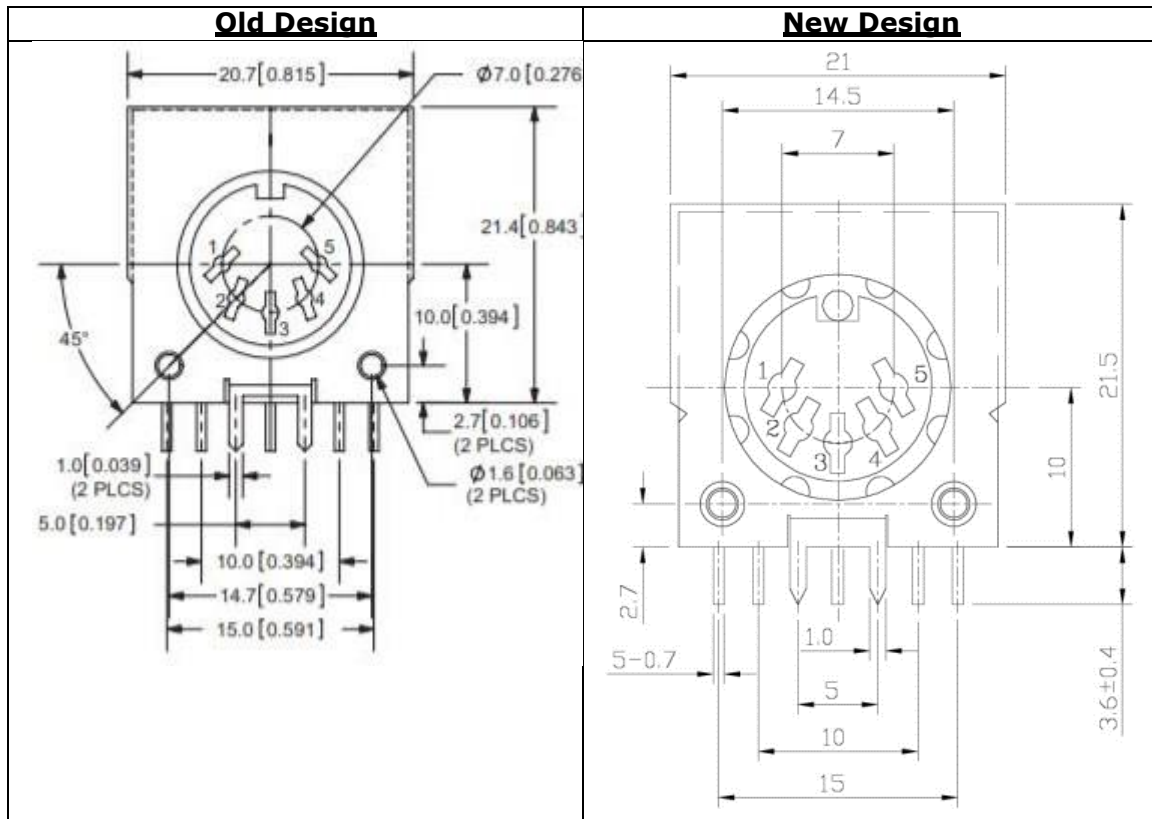
To Our Customers:

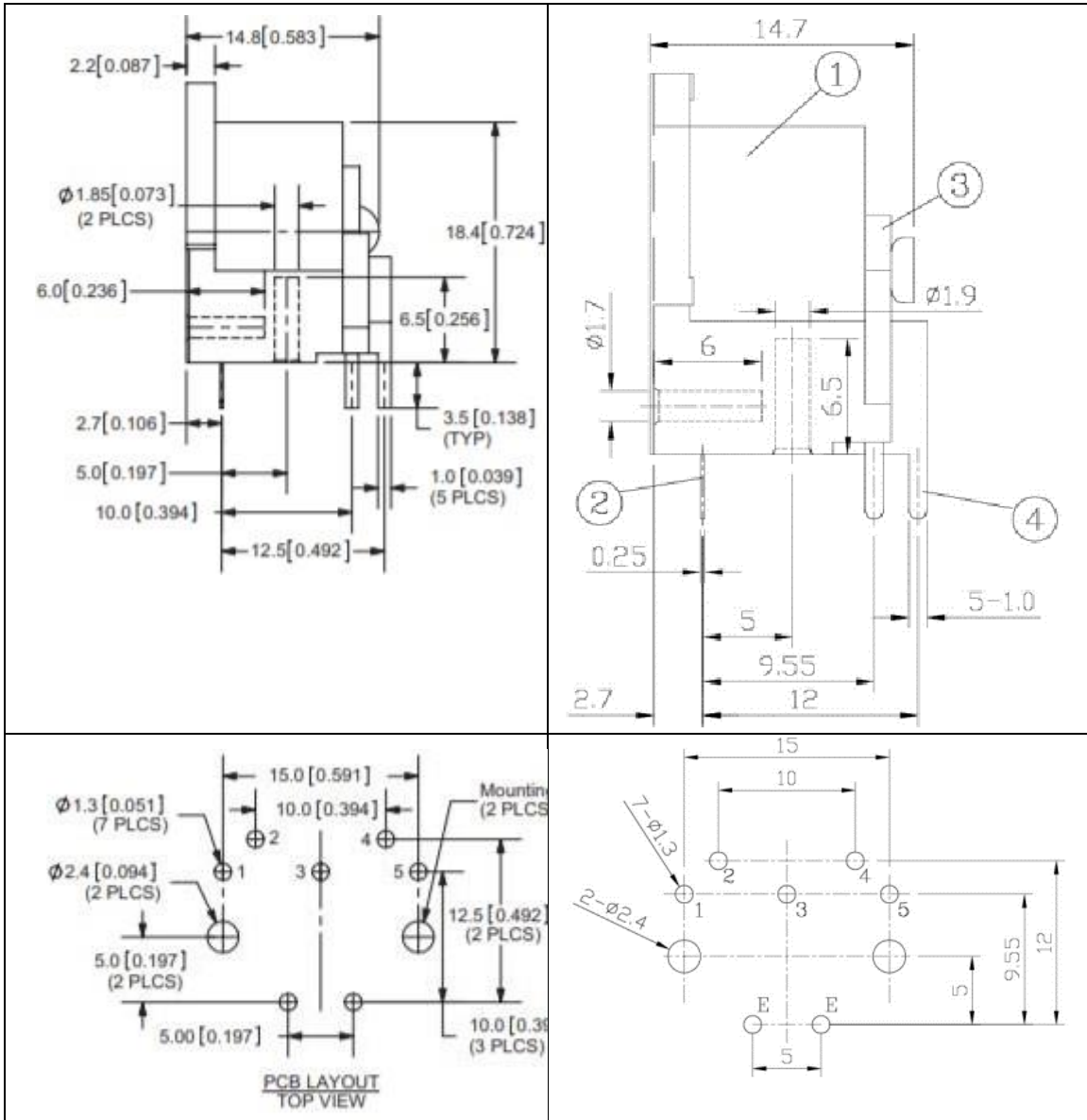
We appreciate your use of CUI Devices products. Our commitment in maintaining and improving processes is demonstrated by plans to enhance our product quality, reliability and manufacturability. The purpose of this notice is to inform you of a product change.

Product(s) Affected: SDF-50J

Reason(s) for Change: Manufacturing build location change

Description of Change: Minor dimension changes and material changes as shown below





Old design materials

	MATERIAL	PLATING
shield terminal (30~80)	brass	nickel
shield terminal (130)	phosphor bronze	tin
contact terminals (30~80)	brass	tin
contact terminals (130)	phosphor bronze	silver
plate (30~60)	bakelite	
plate (70, 80, 130)	N/A	
plastic	PBT	

New design materials

	MATERIAL	PLATING
1 housing	PBT 4815 UL94V-0	black
2 shielded terminal	copper alloy	copper/tin
3 insulation board	PE	
4 terminal	copper alloy	silver

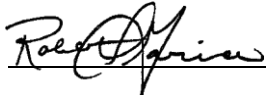
Affected Date Code: 1/1/2020

Product Availability: currently available

Additional Information: none

PCN Approval:

Operations/Quality



Product Marketing

