

Product Change Notice (PCN)

Date: 02/13/2020

PCN Number: PCN-0450265R-01

To Our Customers:

We appreciate your use of CUI Devices products. Our commitment in maintaining and improving processes is demonstrated by plans to enhance our product quality, reliability and manufacturability. The purpose of this notice is to inform you of a product change.

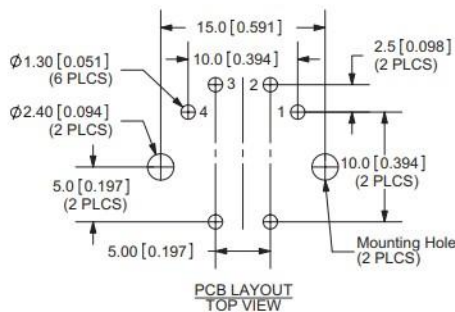
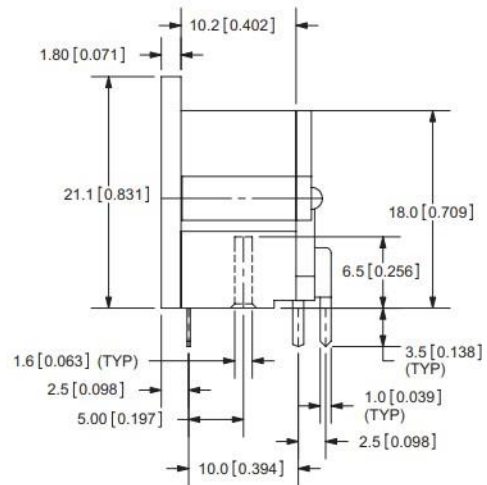
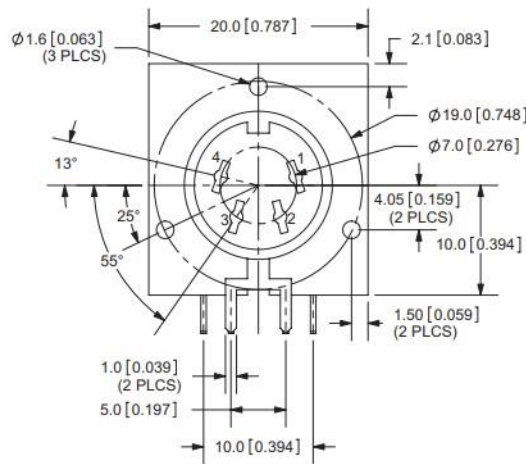
Product(s) Affected: SDS-J series (SDS-40J, SDS-50J, SDS-60J, SDS-70J, SDS-80J, SDD-130J)

Reason(s) for Change: Manufacturing build location change.

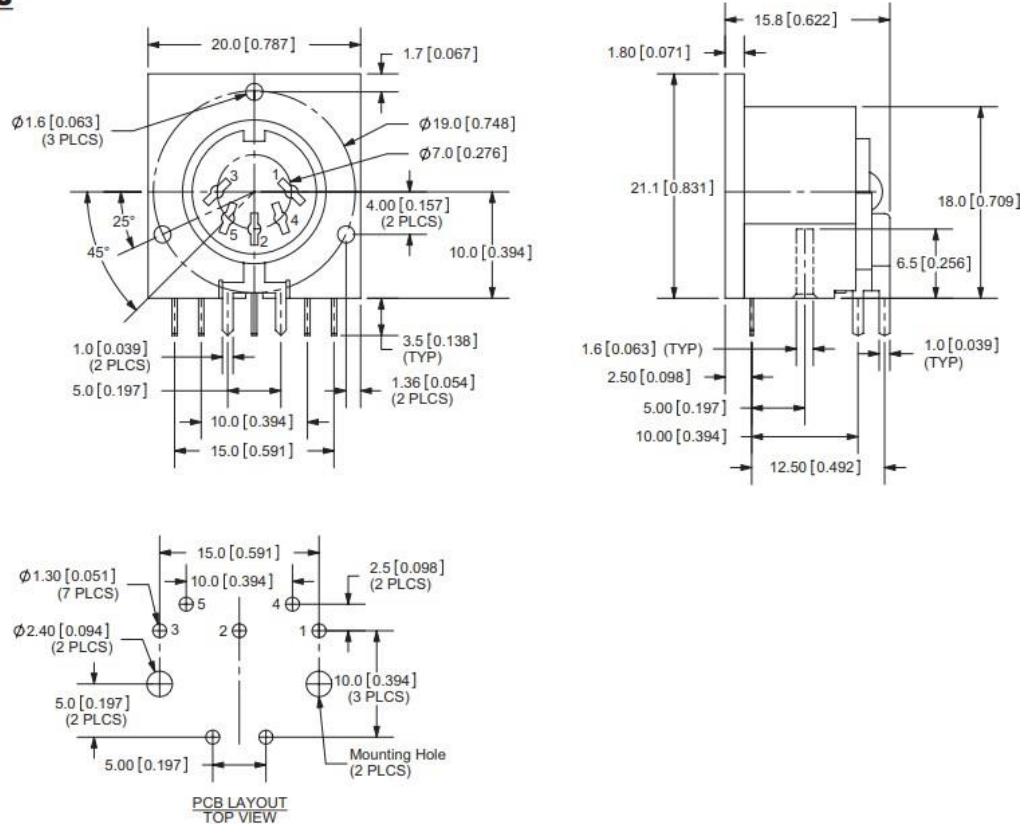
Description of Change: Dimensional changes and materials changes as shown below.

Old Designs

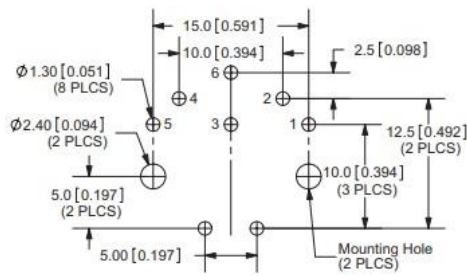
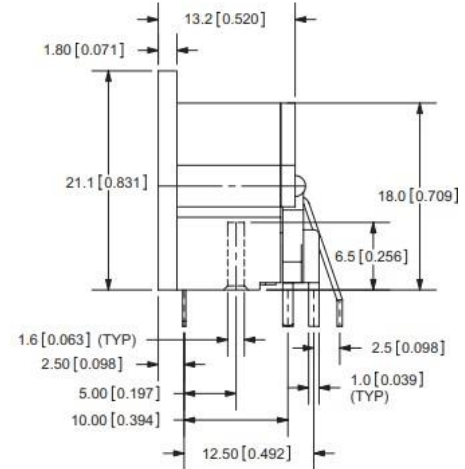
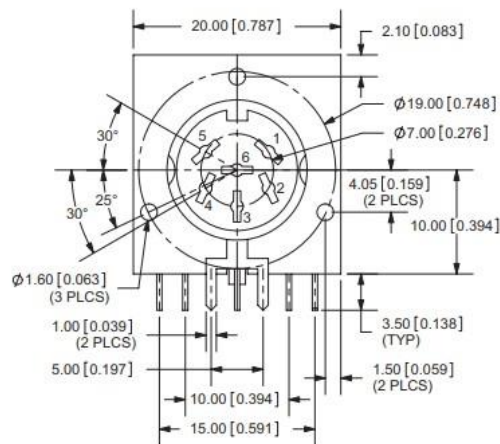
SDS-40J



SDS-50J

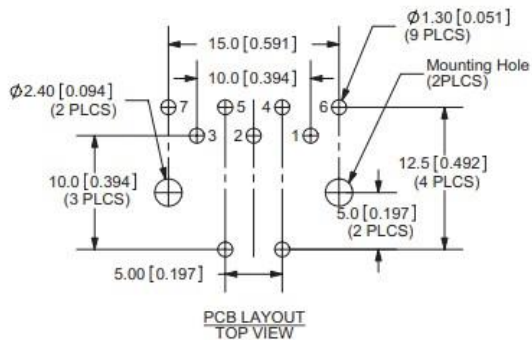
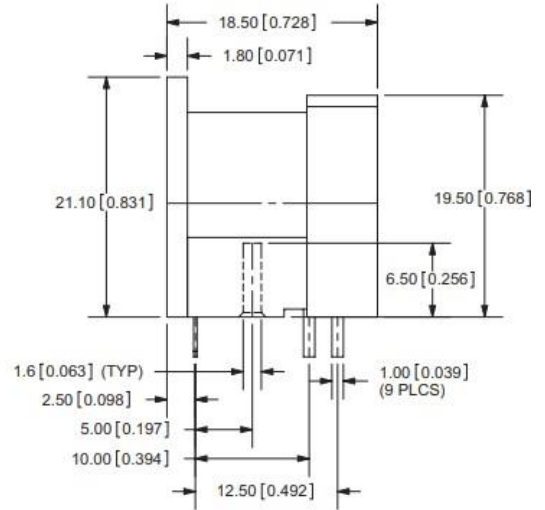
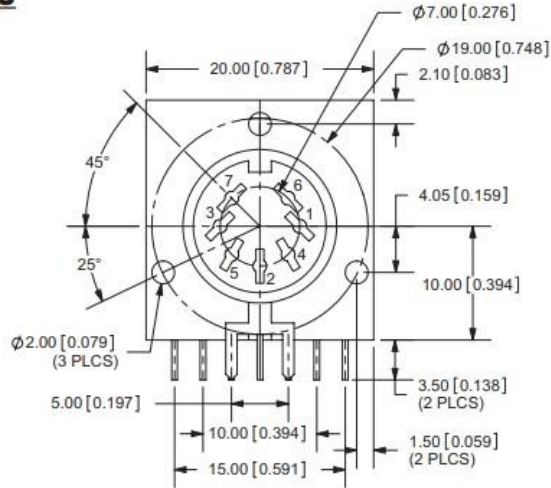


SDS-60J

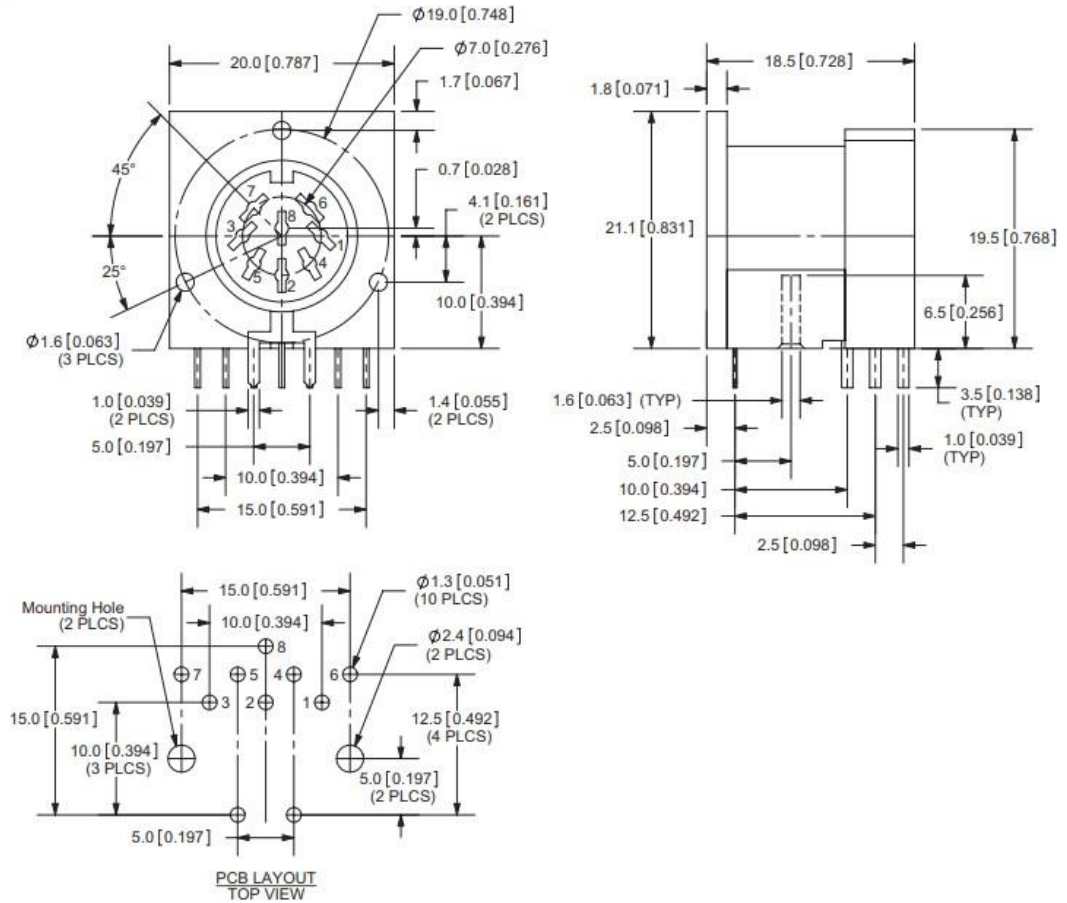


PCB LAYOUT
TOP VIEW

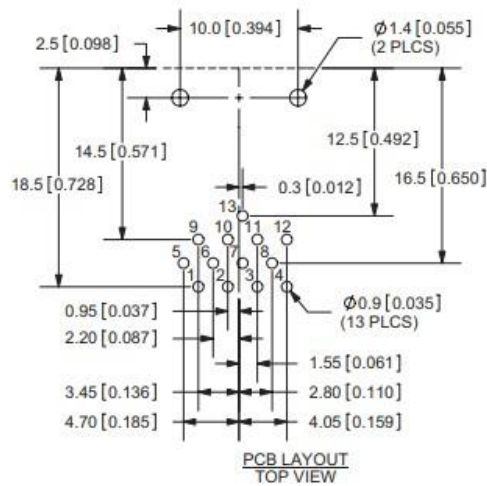
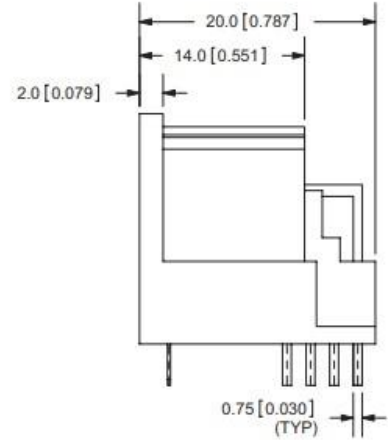
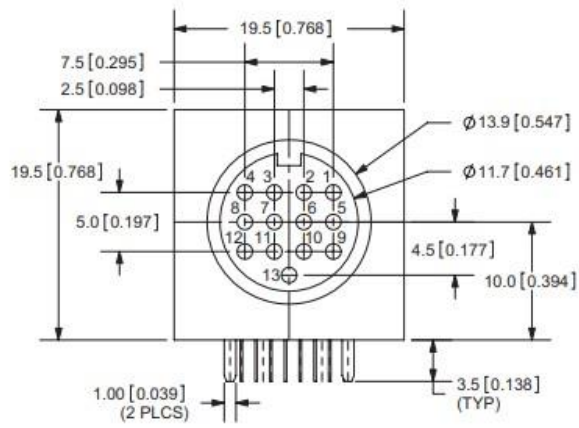
SDS-70J



SDS-80J

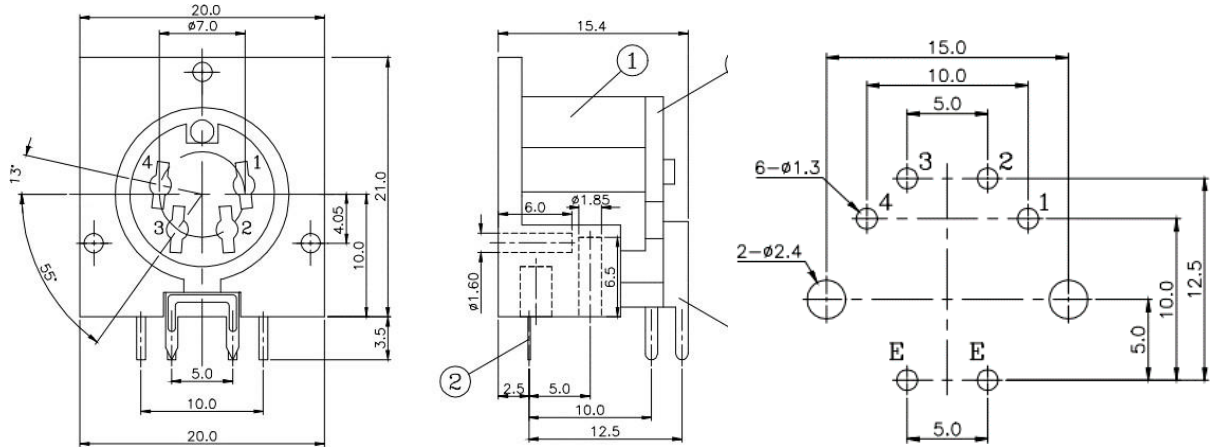


SDD-130J

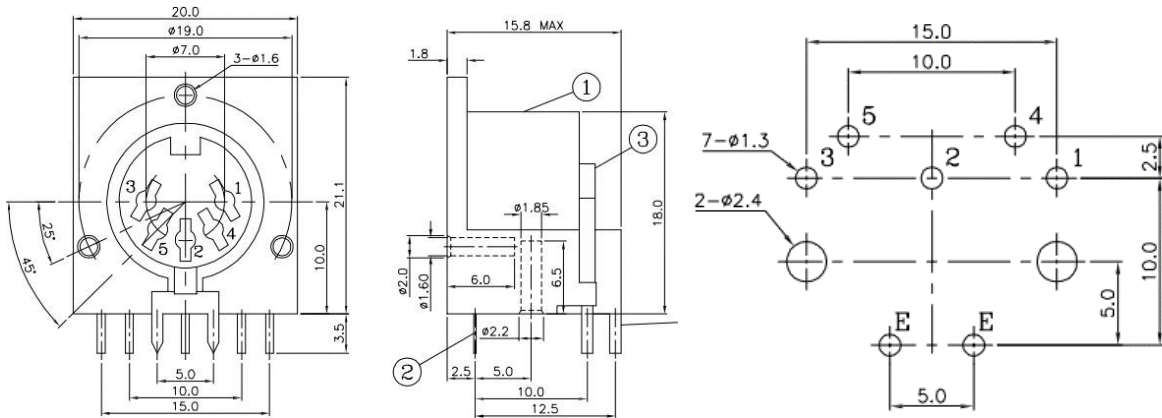


New Designs

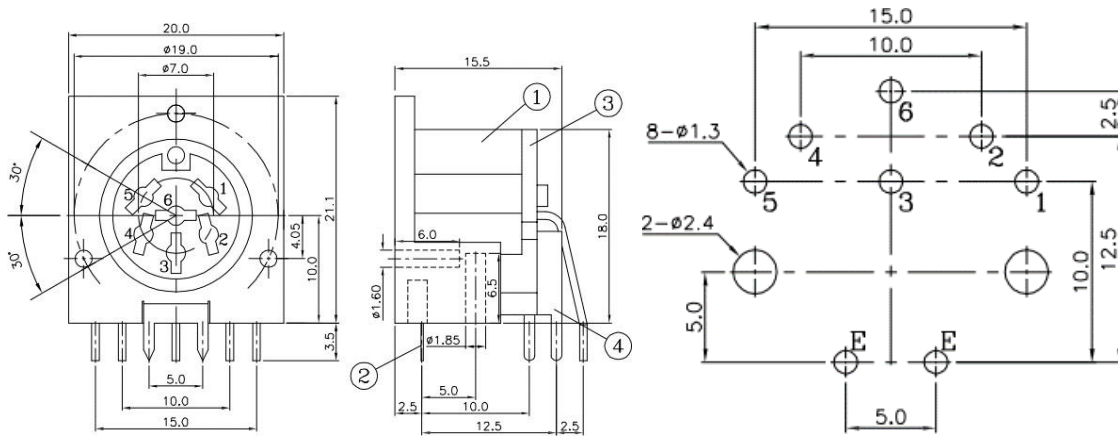
SDS-40J



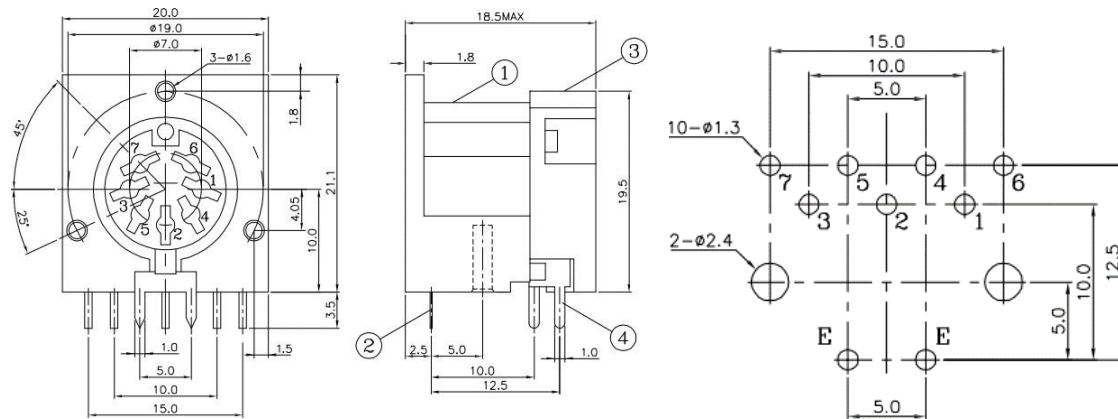
SDS-50J



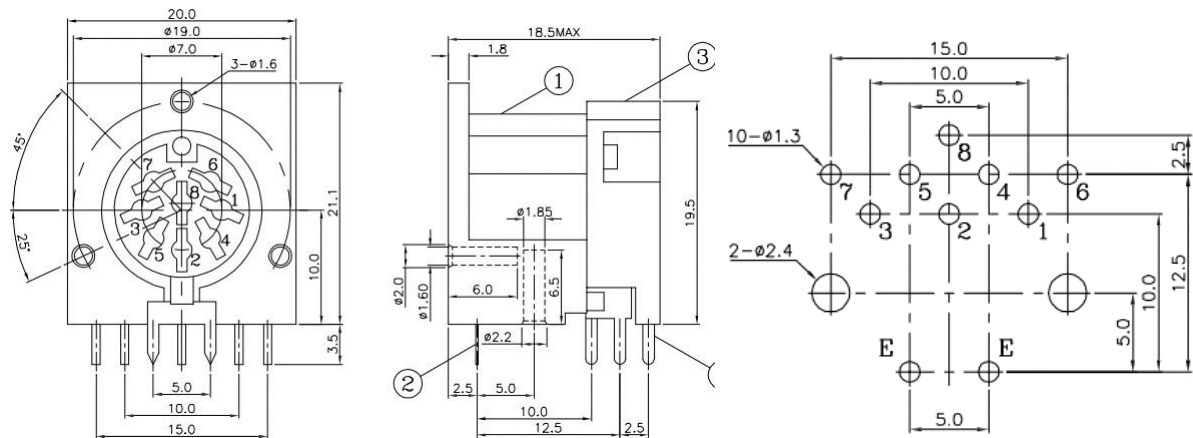
SDS-60J



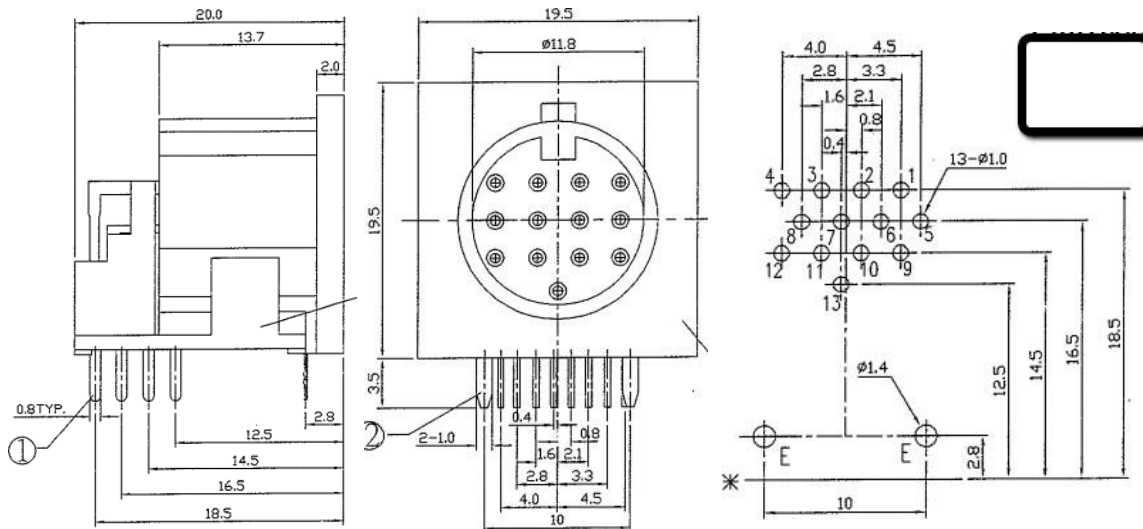
SDS-70J



SDS-80J



SDD-130J



Old design materials (all models)

	MATERIAL	PLATING
earth terminal (30~80)	phosphor bronze	tin
earth terminal (130)	phosphor bronze	silver
contact terminals (30~80)	brass	tin
contact terminals (130)	phosphor bronze	silver
plate (30~60)	bakelite	
plate (70, 80, 130)	N/A	
plastic	PBT	

New design materials SDS-30J

DESCRIPTION	MATERIAL	PLATING/COLOR
earth terminal	phosphor bronze	tin
contact terminals	brass	tin
plate	bakelite	
plastic	PBT	

New design materials SDS-40J

ITEM	DESCRIPTION	MATERIAL	PLATING/COLOR
1	housing	PBT (UL94V-0)	black
2	ground	phosphor bronze	silver
3	cover	PBT (UL94V-0)	black
4	terminal	phosphor bronze	silver

New design materials SDS-50J

ITEM	DESCRIPTION	MATERIAL	PLATING/COLOR
1	housing	PBT (UL94V-0)	black
2	ground	phosphor bronze	copper/tin
3	cover	PE	
4	terminal	phosphor bronze	copper/tin

New design materials SDS-60J

ITEM	DESCRIPTION	MATERIAL	PLATING/COLOR
1	housing	PBT (UL94V-0)	black
2	ground	phosphor bronze	copper/tin
3	cover	PF	yellow
4	terminal	phosphor bronze	copper/tin

New design materials SDS-70J

ITEM	DESCRIPTION	MATERIAL	PLATING/COLOR
1	housing	PBT (UL94V-0)	black
2	ground	phosphor bronze	silver
3	cover	PBT (UL94V-0)	black
4	terminal	phosphor bronze	silver

New design materials SDS-80J

ITEM	DESCRIPTION	MATERIAL	PLATING/COLOR
1	housing	PBT (UL94V-0)	black
2	ground	phosphor bronze	copper/tin
3	cover	PBT (UL94V-0)	black
4	terminal	phosphor bronze	copper/tin

CUI DEVICES

20050 SW 112th Ave. Tualatin, Oregon 97062
phone: 800.275.4899 fax: 503.612.2383
www.cuidevices.com

New design materials SDD-130J

ITEM	DESCRIPTION	MATERIAL	PLATING/COLOR
1	terminal	phosphor bronze	silver
2	ground	phosphor bronze	silver
3	housing	PBT (UL94V-0)	black
4	cover	PBT (UL94V-0)	black

Affected Date Code: February 1st, 2020

Product Availability: currently available

Additional Information: none

PCN Approval:

Operations/Quality



Product Marketing

