

## Product Change Notice (PCN)

**Date:** 12/12/2019

**PCN Number:** PCN-0450036R-01

### To Our Customers:

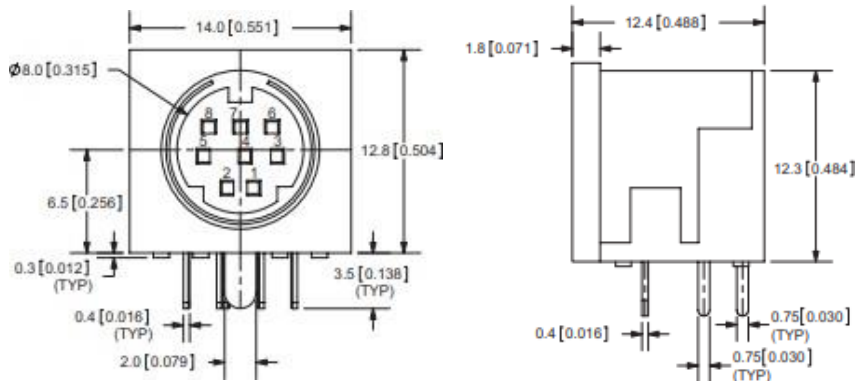
We appreciate your use of CUI Devices products. Our commitment in maintaining and improving processes is demonstrated by plans to enhance our product quality, reliability and manufacturability. The purpose of this notice is to inform you of a product change.

**Product(s) Affected:** MD-S series (part numbers MD-40S, MD-60S, MD-70S, MD-80S, MD-90S).

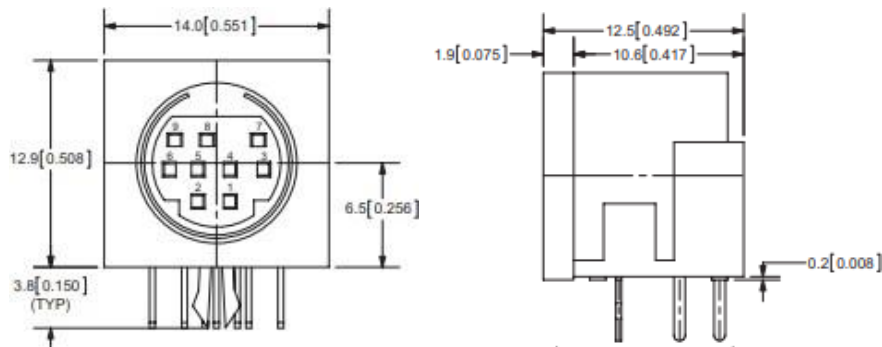
**Reason(s) for Change:** Manufacturing build location change.

**Description of Change:** minor dimensional changes, such as pin length, and materials changes, as shown below.

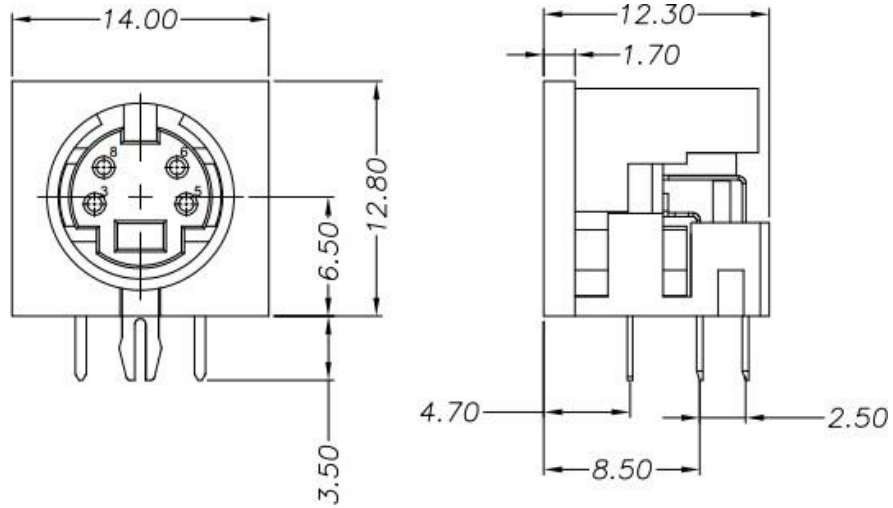
### Old Design (MD-40S, MD-60S, MD-70S, MD-80S)



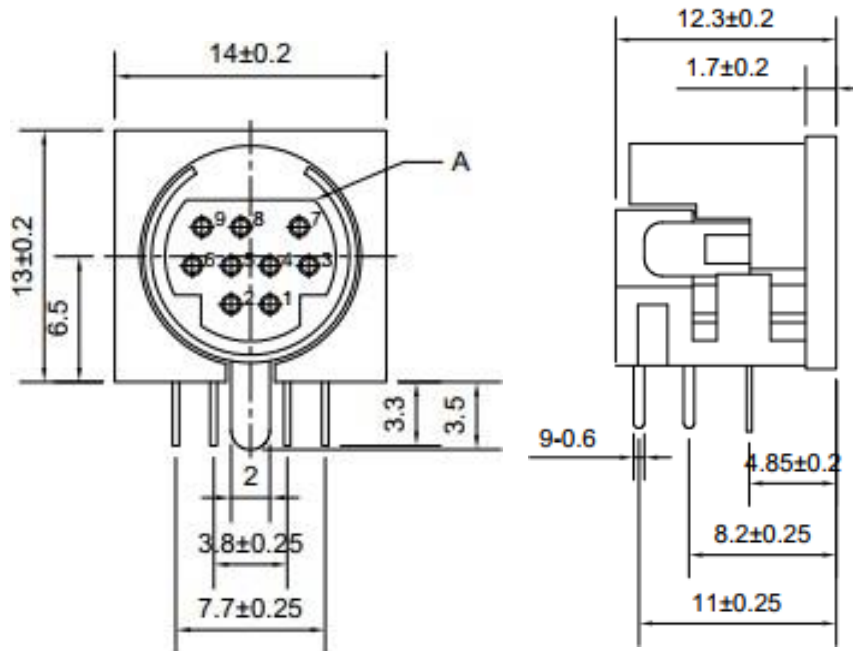
### Old Design (MD-90S)

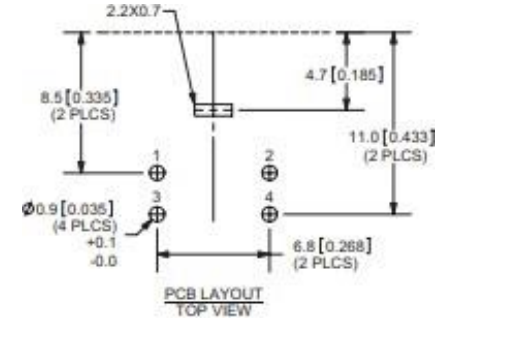
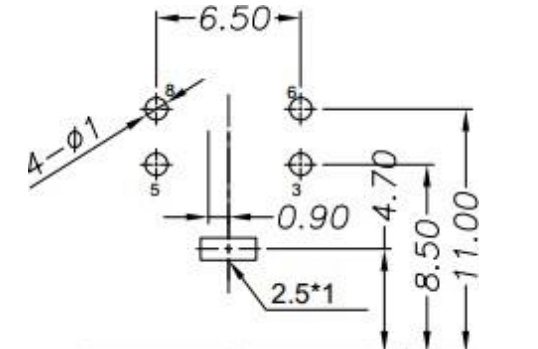
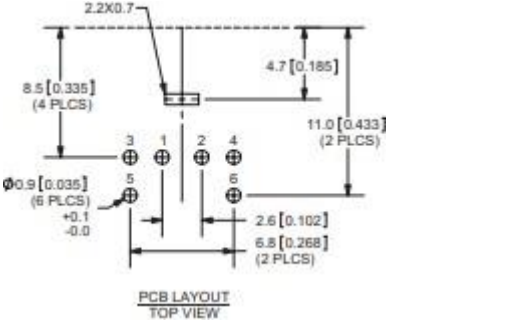
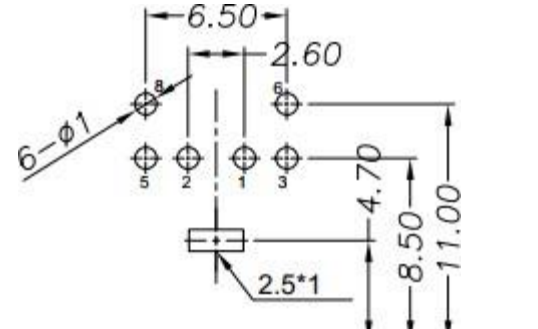
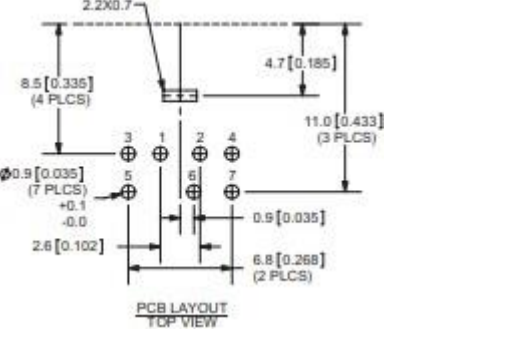
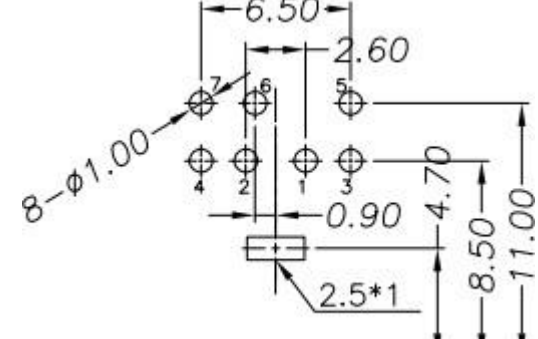
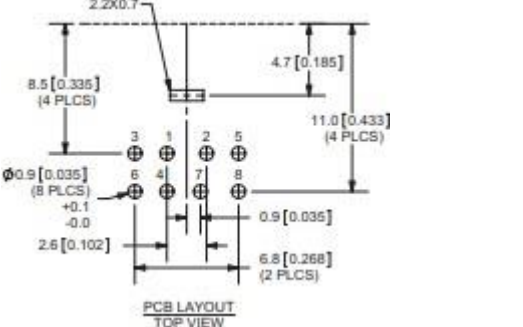
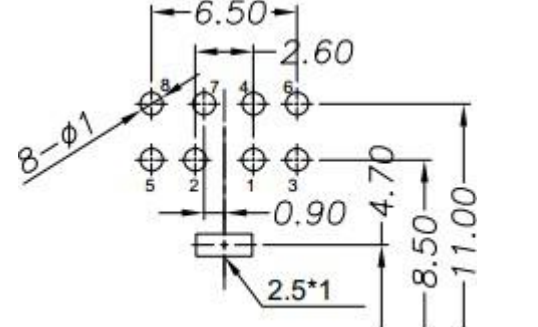


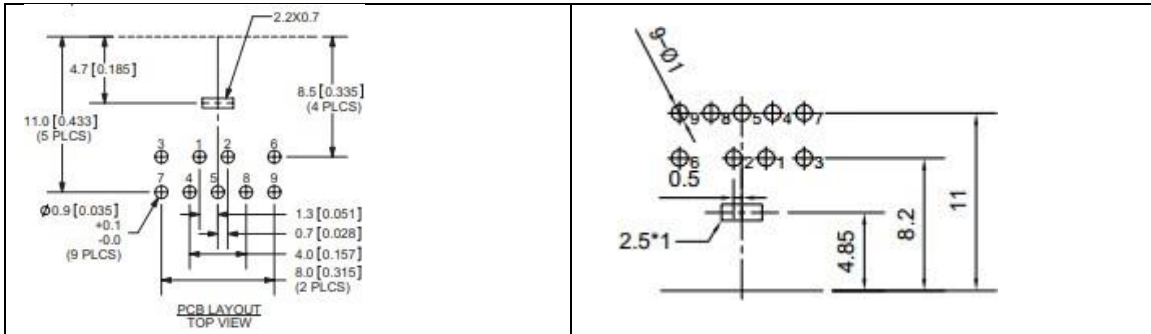
**New Design (MD-40S, MD-60S, MD-70S, MD-80S)**



**New Design (MD-90S)**



PCB Layout Old Design	PCB Layout New Design
 <p>PCB LAYOUT TOP VIEW</p> <p>Dimensions: 2.2x0.7, 8.5 [0.335] (2 PLCS), 4.7 [0.185], 11.0 [0.433] (2 PLCS), 6.8 [0.268] (2 PLCS), 0.9 [0.035] (4 PLCS) +0.1 -0.0</p>	 <p>Dimensions: 6.50, 4-φ1, 0.90, 4.70, 8.50, 11.00, 2.5*1</p>
 <p>PCB LAYOUT TOP VIEW</p> <p>Dimensions: 2.2x0.7, 8.5 [0.335] (4 PLCS), 4.7 [0.185], 11.0 [0.433] (2 PLCS), 5.8 [0.268] (2 PLCS), 2.6 [0.102], 0.9 [0.035] (6 PLCS) +0.1 -0.0</p>	 <p>Dimensions: 6.50, 6-φ1, 2.60, 4.70, 8.50, 11.00, 2.5*1</p>
 <p>PCB LAYOUT TOP VIEW</p> <p>Dimensions: 2.2x0.7, 8.5 [0.335] (4 PLCS), 4.7 [0.185], 11.0 [0.433] (3 PLCS), 6.8 [0.268] (2 PLCS), 0.9 [0.035], 2.6 [0.102], 0.9 [0.035] (7 PLCS) +0.1 -0.0</p>	 <p>Dimensions: 6.50, 8-φ1.00, 2.60, 4.70, 8.50, 11.00, 2.5*1, 0.90</p>
 <p>PCB LAYOUT TOP VIEW</p> <p>Dimensions: 2.2x0.7, 8.5 [0.335] (4 PLCS), 4.7 [0.185], 11.0 [0.433] (4 PLCS), 6.8 [0.268] (2 PLCS), 0.9 [0.035], 2.6 [0.102], 0.9 [0.035] (8 PLCS) +0.1 -0.0</p>	 <p>Dimensions: 6.50, 8-φ1, 2.60, 4.70, 8.50, 11.00, 2.5*1, 0.90</p>



### Old Design Materials

	MATERIAL	PLATING
earth terminal	brass	tin
contact terminals (1~8)	phosphor bronze	silver
housing	PBT	

### New Design Materials

	MATERIAL	PLATING
body	PBT+30%GF (UL94V-0)	
pins	brass	tin
shield	brass	nickel

**Affected Date Code:** 12/6/19

**Product Availability:** currently available

**Additional Information:** none

PCN Approval:

Operations/Quality

*Robert Sprague*

Product Marketing

*RU*