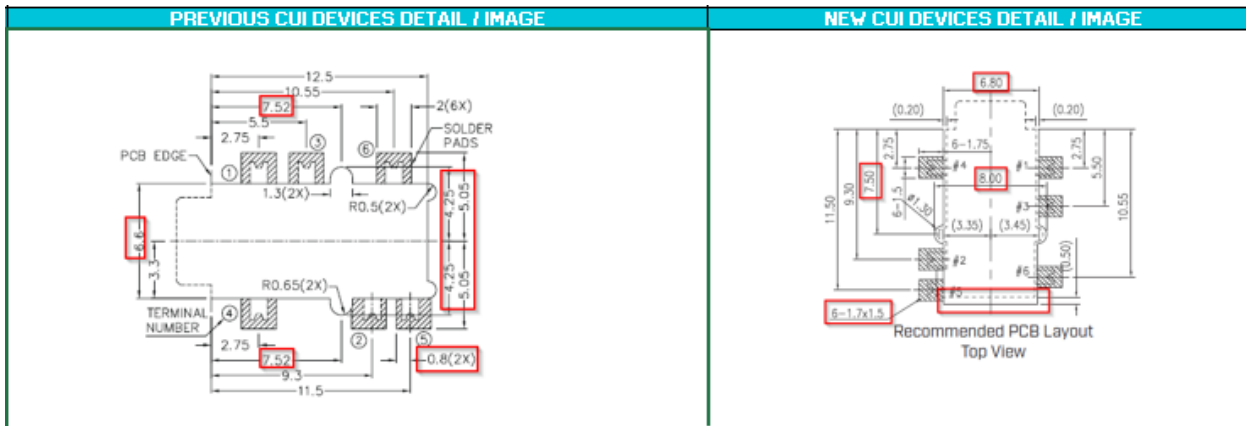


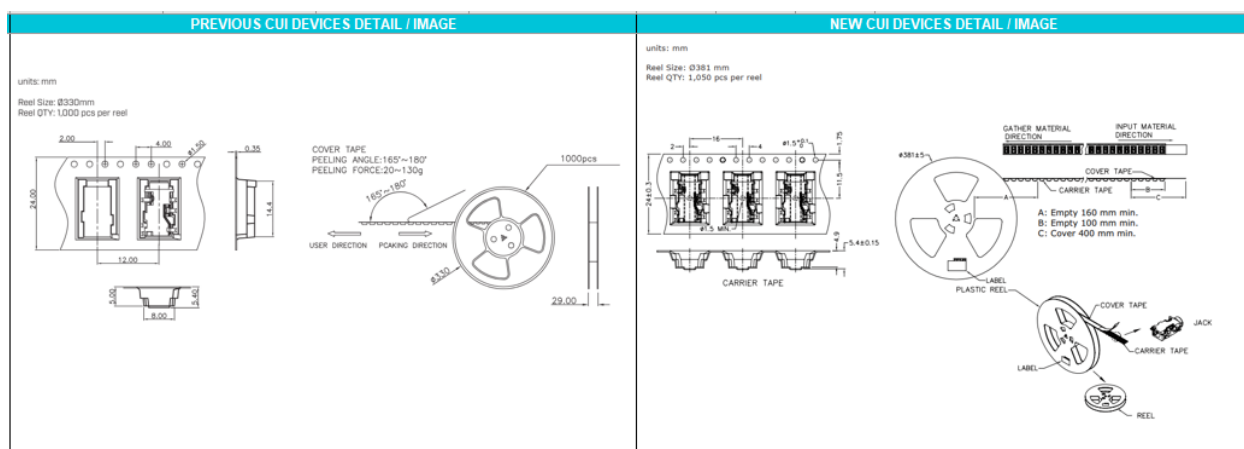
2. Minor PCB Differences



3. Housing and Terminal material Differs

PREVIOUS CUI DEVICES DETAIL / IMAGE	NEW CUI DEVICES DETAIL / IMAGE																																																
<table border="1"> <thead> <tr> <th></th> <th>MATERIAL</th> <th>PLATING</th> </tr> </thead> <tbody> <tr> <td>terminal 1</td> <td>copper alloy</td> <td>gold flash</td> </tr> <tr> <td>terminal 2</td> <td>copper alloy</td> <td>gold flash</td> </tr> <tr> <td>terminal 3</td> <td>copper alloy</td> <td>gold flash</td> </tr> <tr> <td>terminal 4</td> <td>copper alloy</td> <td>gold flash</td> </tr> <tr> <td>terminal 5</td> <td>copper alloy</td> <td>gold flash</td> </tr> <tr> <td>terminal 6</td> <td>copper alloy</td> <td>gold flash</td> </tr> <tr> <td>plastic</td> <td>PA6T or equivalent</td> <td></td> </tr> </tbody> </table>		MATERIAL	PLATING	terminal 1	copper alloy	gold flash	terminal 2	copper alloy	gold flash	terminal 3	copper alloy	gold flash	terminal 4	copper alloy	gold flash	terminal 5	copper alloy	gold flash	terminal 6	copper alloy	gold flash	plastic	PA6T or equivalent		<table border="1"> <thead> <tr> <th>DESCRIPTION</th> <th>MATERIAL</th> <th>PLATING/COLOR</th> </tr> </thead> <tbody> <tr> <td>terminal 1</td> <td>C5210 t=0.20</td> <td>gold flash over nickel</td> </tr> <tr> <td>terminal 2</td> <td>C5210 t=0.20</td> <td>gold flash over nickel</td> </tr> <tr> <td>terminal 3</td> <td>C5210 t=0.20</td> <td>gold flash over nickel</td> </tr> <tr> <td>terminal 4</td> <td>C5210 t=0.20</td> <td>gold flash over nickel</td> </tr> <tr> <td>terminal 5</td> <td>C2680-EH t=0.20</td> <td>gold flash over nickel</td> </tr> <tr> <td>terminal 6</td> <td>C2680-EH t=0.20</td> <td>gold flash over nickel</td> </tr> <tr> <td>housing</td> <td>PA9T [UL94V-0]</td> <td>black</td> </tr> </tbody> </table>	DESCRIPTION	MATERIAL	PLATING/COLOR	terminal 1	C5210 t=0.20	gold flash over nickel	terminal 2	C5210 t=0.20	gold flash over nickel	terminal 3	C5210 t=0.20	gold flash over nickel	terminal 4	C5210 t=0.20	gold flash over nickel	terminal 5	C2680-EH t=0.20	gold flash over nickel	terminal 6	C2680-EH t=0.20	gold flash over nickel	housing	PA9T [UL94V-0]	black
	MATERIAL	PLATING																																															
terminal 1	copper alloy	gold flash																																															
terminal 2	copper alloy	gold flash																																															
terminal 3	copper alloy	gold flash																																															
terminal 4	copper alloy	gold flash																																															
terminal 5	copper alloy	gold flash																																															
terminal 6	copper alloy	gold flash																																															
plastic	PA6T or equivalent																																																
DESCRIPTION	MATERIAL	PLATING/COLOR																																															
terminal 1	C5210 t=0.20	gold flash over nickel																																															
terminal 2	C5210 t=0.20	gold flash over nickel																																															
terminal 3	C5210 t=0.20	gold flash over nickel																																															
terminal 4	C5210 t=0.20	gold flash over nickel																																															
terminal 5	C2680-EH t=0.20	gold flash over nickel																																															
terminal 6	C2680-EH t=0.20	gold flash over nickel																																															
housing	PA9T [UL94V-0]	black																																															

4. Reel Packaging Change





Affected Date Code: *11/15/2022*

Product Availability: *Channel availability mid Q4*

Additional Information:

PCN Approval:

Operations/Quality

A handwritten signature in black ink, appearing to read "Rae D. Garcia", positioned above a horizontal line.

Product Management

A handwritten signature in black ink, appearing to read "Nick Wolfe", positioned above a horizontal line.

Nick Wolfe

11/15/2022