



MODEL: UJ32-C-H-G-H1-SMT-TR | **DESCRIPTION:** USB RECEPTACLE

FEATURES

- USB Type C receptacle
- USB 3.2 Gen 2x2
- 20 Gbit/s data transfer speed
- reflow solder compatible
- tape & reel packaging



SPECIFICATIONS

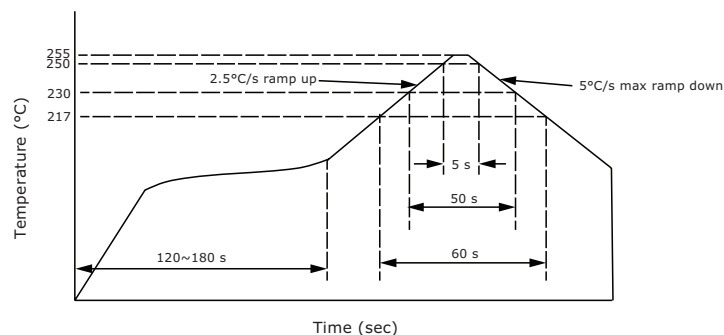
| parameter | conditions/description | min | typ | max | units |
|---------------------------------|---|-----|--------|---------------------|-------------|
| USB standard | USB 3.2 Gen 2x2 | | | | |
| rated input voltage | | | | 20 | Vdc |
| rated input current | as per EIA-364-70, Method B power pins collectively [A1, A4, A9, A12, B1, B4, B9, B12] VCONN pins individually [A5, B5] all other signal pins individually | | | 5.0 1.25 0.25 | A A A |
| contact resistance ¹ | between terminals and mating plug | | | 40 | mΩ |
| insulation resistance | between adjacent contacts | 100 | | | MΩ |
| voltage withstand | between adjacent contacts | 100 | | | Vac |
| insertion force | at a rate of 12.5 mm/min | 5 | | 20 | N |
| withdrawal force | at a rate of 12.5 mm/min | 8 | | 20 | N |
| life | at a rate of 200 cycles per hour | | 10,000 | | cycles |
| operating temperature | | -40 | | 85 | °C |
| flammability rating | UL94V-0 | | | | |
| RoHS | yes | | | | |

Note: 1. When measured at 20 mV / 100 mA.
2. All specifications measured at 10-35°C, humidity at 45-85%, under standard atmospheric pressure, unless otherwise noted.

SOLDERABILITY

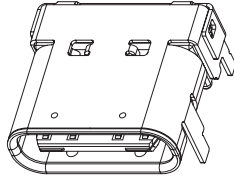
| parameter | conditions/description | min | typ | max | units |
|-------------------------------|-----------------------------|-----|-----|-----|-------|
| reel storage | at relative humidity 65-70% | 25 | | 30 | °C |
| reflow soldering ³ | see reflow profile | | 255 | 260 | °C |

Note: 3. It is recommended to reflow solder within 3 months from opening vacuum packaging at a temperature of 25-30°C & relative humidity 65-70%.

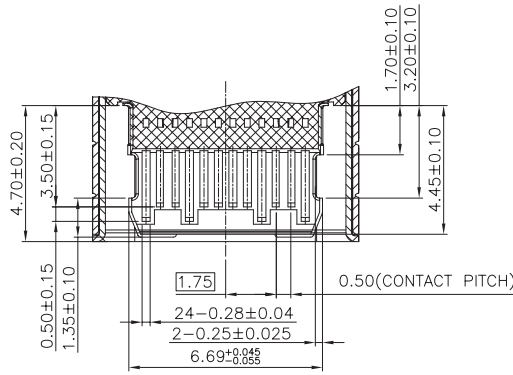
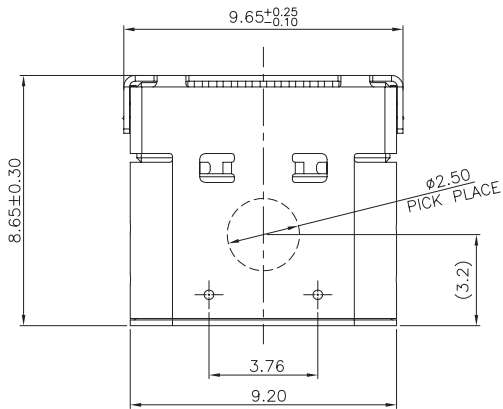


MECHANICAL DRAWING

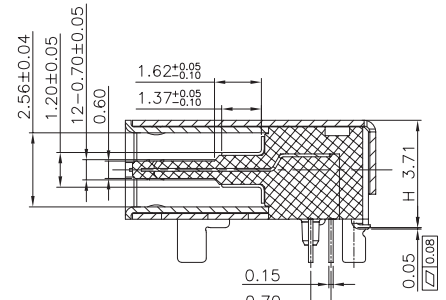
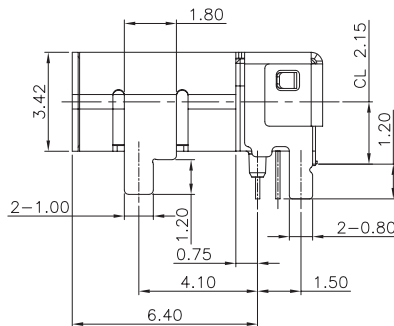
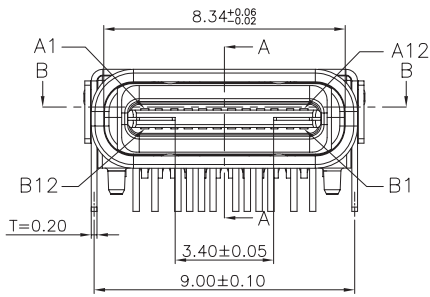
units: mm
 tolerance:
 X. ± 0.50 mm
 X.X ± 0.30 mm
 X.XX ± 0.20 mm
 X.XXX ± 0.10 mm
 unless otherwise noted



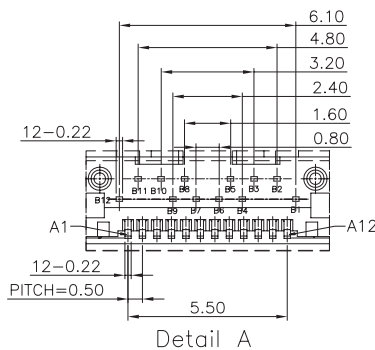
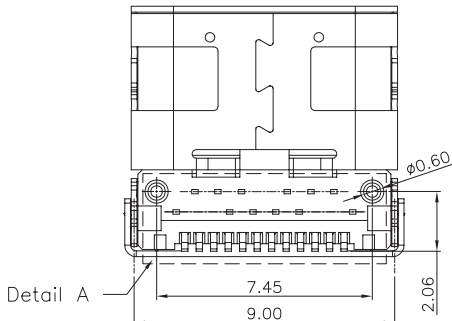
| | MATERIAL | PLATING |
|--------------------------|-----------------|--|
| insulator | LCP (UL94V-0) | black |
| contact | copper alloy | contact area: gold flash solder area: matte tin over nickel |
| shell | stainless steel | nickel |
| cover shell | iron | nickel |
| inner ground cover shell | stainless steel | nickel |
| mid plate | stainless steel | clean |



SECTION B-B



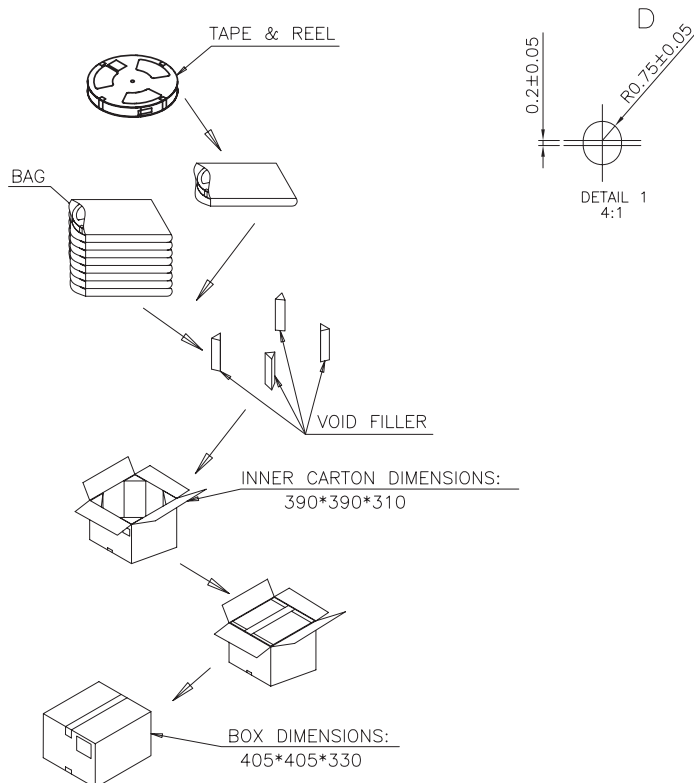
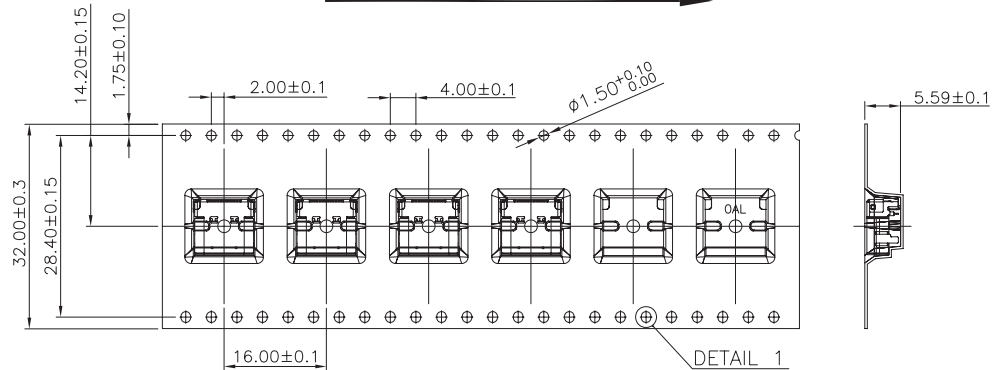
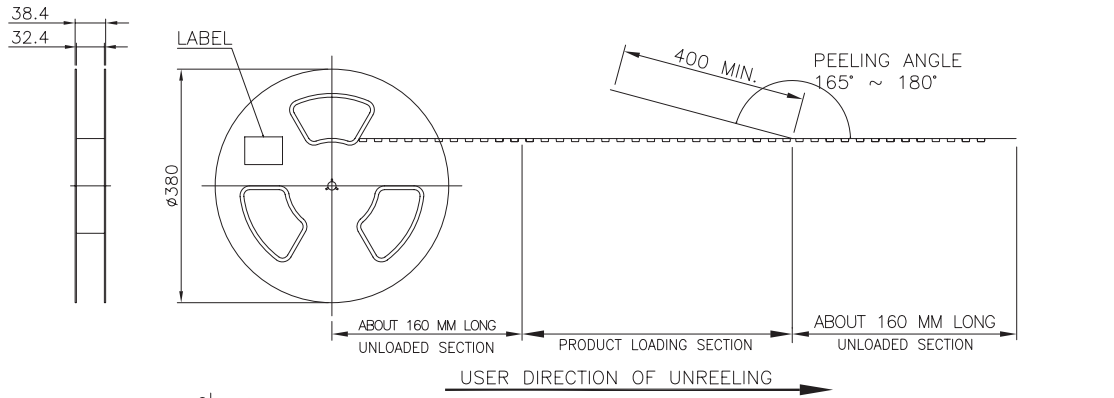
SECTION A-A



PACKAGING

units: mm

Reel Size: $\varnothing 380$ mm
 Reel QTY: 1,000 pcs per reel
 Carton Size: 405 x 405 x 330 mm
 Carton QTY: 8,000 pcs



REVISION HISTORY

| rev. | description | date |
|------|-----------------------------------|------------|
| 1.0 | initial release | 06/15/2022 |
| 1.01 | logo, datasheet style update | 08/05/2022 |
| 1.02 | updated datasheet | 09/21/2023 |
| 1.03 | CUI Devices rebranded to Same Sky | 09/12/2024 |

The revision history provided is for informational purposes only and is believed to be accurate.



Same Sky offers a one (1) year limited warranty. Complete warranty information is listed on our website.

Same Sky reserves the right to make changes to the product at any time without notice. Information provided by Same Sky is believed to be accurate and reliable. However, no responsibility is assumed by Same Sky for its use, nor for any infringements of patents or other rights of third parties which may result from its use.

Same Sky products are not authorized or warranted for use as critical components in equipment that requires an extremely high level of reliability. A critical component is any component of a life support device or system whose failure to perform can be reasonably expected to cause the failure of the life support device or system, or to affect its safety or effectiveness.

[sameskydevices.com](https://www.sameskydevices.com)