

**SERIES:** TS35 | **DESCRIPTION:** TACTILE SWITCH**FEATURES**

- j-bend
- halogen & halogen free
- surface mount

**SPECIFICATIONS**

parameter	conditions/description	min	typ	max	units
rated voltage				12	Vdc
rated current				50	mA
withstanding voltage	for 1 minute		250		Vac
contact resistance				100	mΩ
insulation resistance	at 100 Vdc	100			MΩ
operating force	160 gf models	110	160	210	gf
	260 gf models	190	260	330	gf
return force	160 gf models	30			gf
	260 gf models	50			gf
actuator travel		1.1	1.3	1.5	mm
operating temperature		-40		90	°C
storage temperature		-40		90	°C
life	at 5 Vdc, 5 mA, 1.5~2 cycles/second, 1.3 times operating force		100,000		cycles
vibration	10~55~10 Hz, 1.5 mm amplitude, 2 hours on each XYZ				
flammability rating	see material table				
RoHS	yes				

**PART NUMBER KEY**

**TS35 - 6 - 15 - BK - XXX - X - JSMT - TR**

Base Number

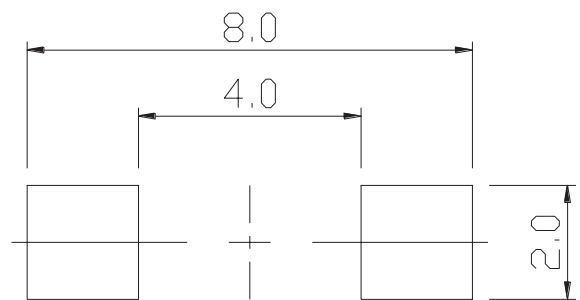
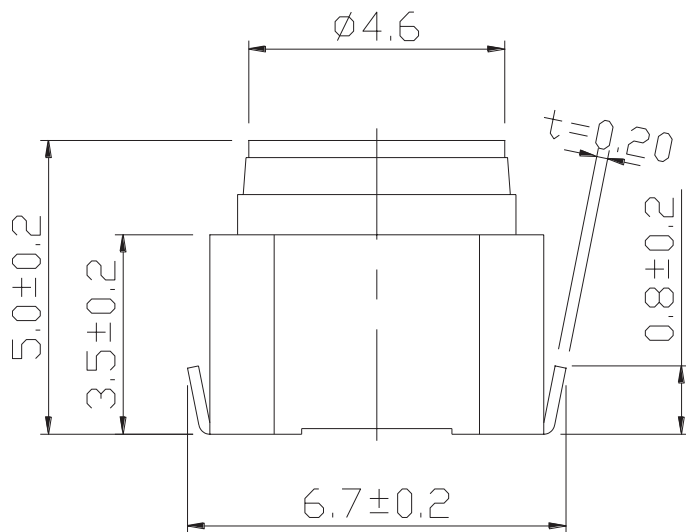
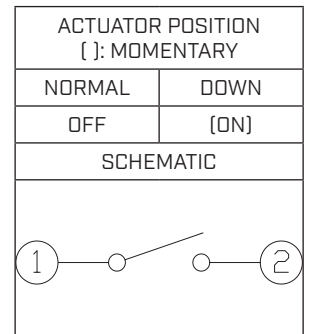
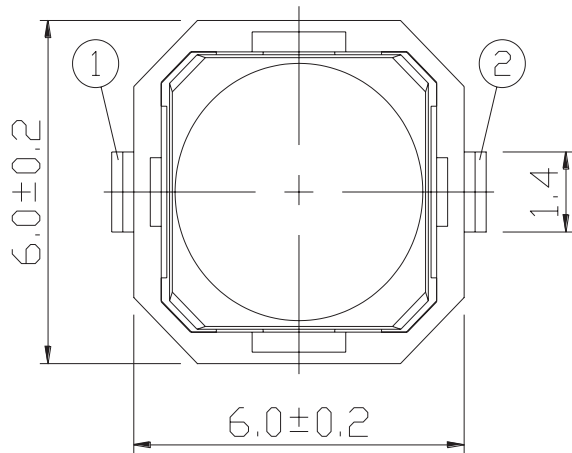
Actuator Force (gf):  
160 = 160  
260 = 260

Halogen Free:  
'blank' = with halogen  
H = halogen free

## MECHANICAL DRAWING

units: mm  
 tolerance:  
 $L \leq 10$ :  $\pm 0.3$   
 $10 < L \leq 100$ :  $\pm 0.5$   
 $100 < L$ :  $\pm 0.6$   
 unless otherwise specified

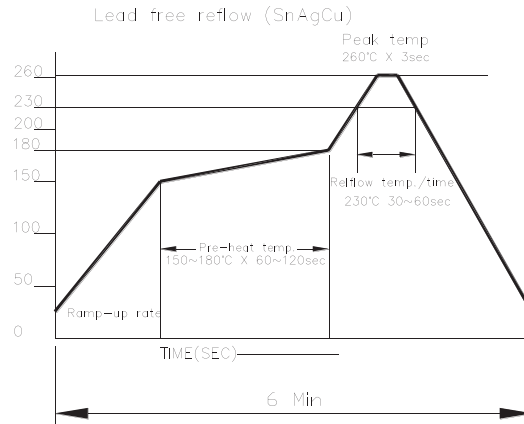
DESCRIPTION	MATERIAL	PLATING/COLOR
housing	LCP	black
terminal	brass copper	silver
movable blade	stainless steel	silver
stem	silicone rubber	black
cap	PA6T	black



Recommended PCB Layout  
Top View

## SOLDERABILITY

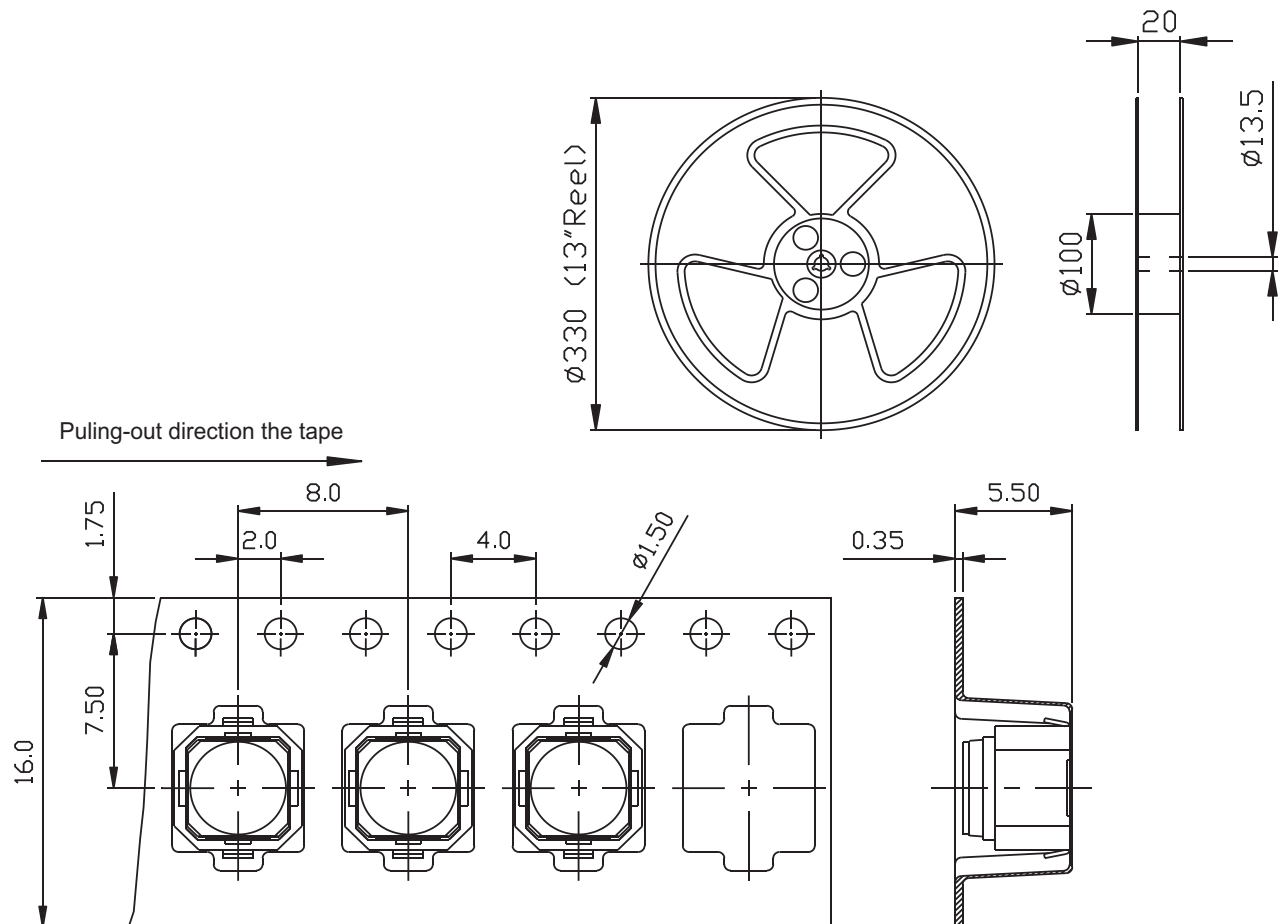
parameter	conditions/description	min	typ	max	units
reflow soldering			260		°C



## PACKAGING

units: mm

Reel Size:  $\varnothing$ 330 mm  
Reel QTY: 1,500 pcs



## REVISION HISTORY

rev.	description	date
1.0	initial release	12/09/2024

The revision history provided is for informational purposes only and is believed to be accurate.



Same Sky offers a one (1) year limited warranty. Complete warranty information is listed on our website.

Same Sky reserves the right to make changes to the product at any time without notice. Information provided by Same Sky is believed to be accurate and reliable. However, no responsibility is assumed by Same Sky for its use, nor for any infringements of patents or other rights of third parties which may result from its use.

Same Sky products are not authorized or warranted for use as critical components in equipment that requires an extremely high level of reliability. A critical component is any component of a life support device or system whose failure to perform can be reasonably expected to cause the failure of the life support device or system, or to affect its safety or effectiveness.

[sameskydevices.com](https://www.sameskydevices.com)