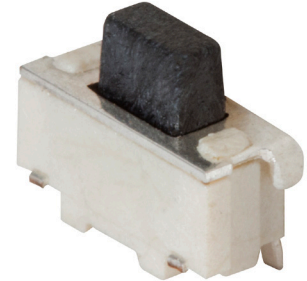




SERIES: TS31 | **DESCRIPTION:** TACTILE SWITCH

FEATURES

- right angle
- with boss
- halogen & halogen free



SPECIFICATIONS

parameter	conditions/description	min	typ	max	units
rated voltage		1		12	Vdc
rated current		0.01		50	mA
withstanding voltage	for 1 minute		250		Vac
contact resistance				100	mΩ
insulation resistance	at 100 Vdc	100			MΩ
operating force	160 gf models	110	160	210	gf
	260 gf models	190	260	330	gf
return force		30			gf
actuator travel		0.1	0.2	0.3	mm
operating temperature		-40		85	°C
storage temperature		-40		85	°C
life	at 5 Vdc, 5 mA, 2 cycles/second, 1.5 times operating force				
	160 gf models		100,000		cycles
	260 gf models		50,000		cycles
vibration	10~55~10 Hz, 1.5 mm amplitude, 2 hours on each XYZ				
flammability rating	see material table				
RoHS	yes				

PART NUMBER KEY

TS31 - 46 - 35 - BK - B - XXX - RA - X - SMT - TR

Base Number

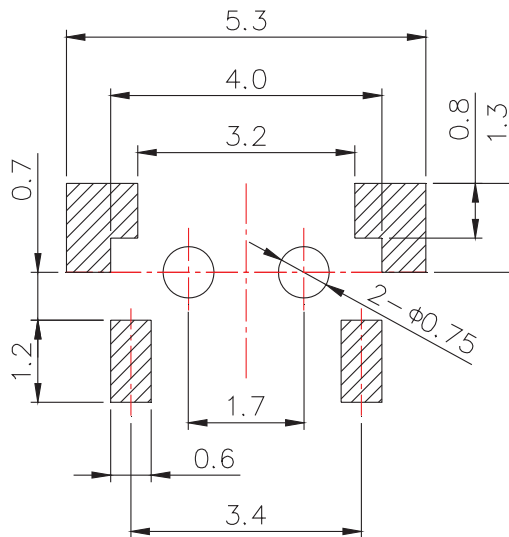
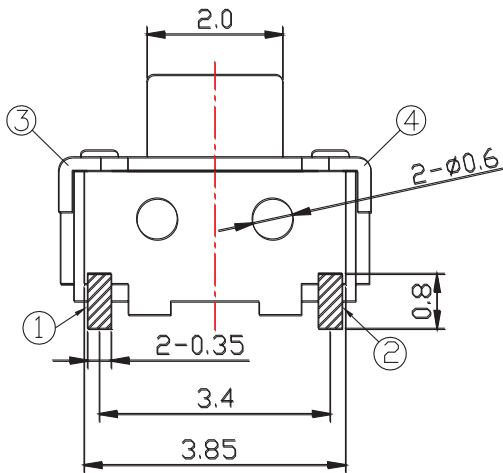
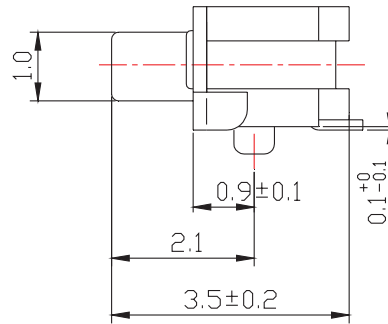
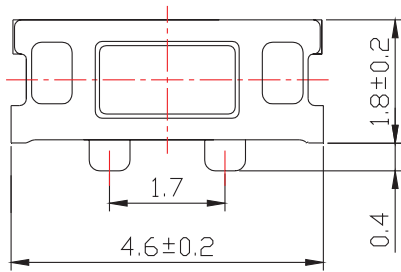
Actuator Force (gf):
160 = 160
260 = 260

Halogen Free:
'blank' = with halogen
H = halogen free

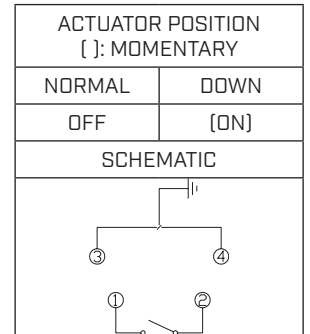
MECHANICAL DRAWING

units: mm
 tolerance:
 $L \leq 4$: ± 0.2 mm
 $4 < L \leq 16$: ± 0.3 mm
 unless otherwise specified

DESCRIPTION	MATERIAL	PLATING/COLOR
housing	LCP	white
terminal	phosphor bronze	silver
dome	stainless steel	silver
cover	phosphor bronze	silver
stem	LCP	black

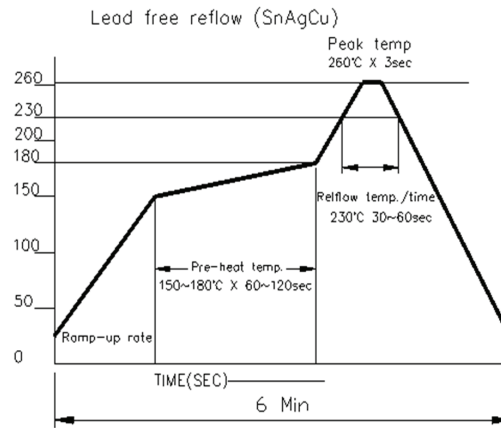


Recommended PCB Layout
Top View



SOLDERABILITY

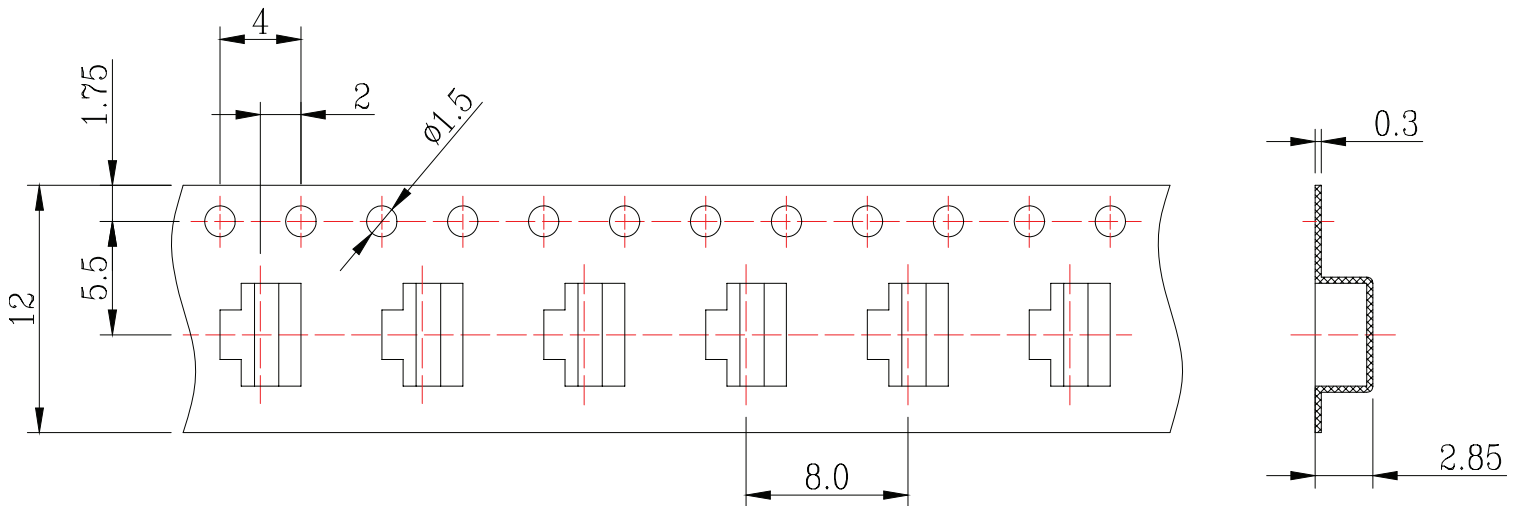
parameter	conditions/description	min	typ	max	units
reflow soldering			260		°C



PACKAGING

units: mm

Reel QTY: 3,000 pcs



REVISION HISTORY

rev.	description	date
1.0	initial release	12/09/2024
1.01	added dimension to PCB layout	02/24/2025

The revision history provided is for informational purposes only and is believed to be accurate.



Same Sky offers a one (1) year limited warranty. Complete warranty information is listed on our website.

Same Sky reserves the right to make changes to the product at any time without notice. Information provided by Same Sky is believed to be accurate and reliable. However, no responsibility is assumed by Same Sky for its use, nor for any infringements of patents or other rights of third parties which may result from its use.

Same Sky products are not authorized or warranted for use as critical components in equipment that requires an extremely high level of reliability. A critical component is any component of a life support device or system whose failure to perform can be reasonably expected to cause the failure of the life support device or system, or to affect its safety or effectiveness.

[sameskydevices.com](https://www.sameskydevices.com)