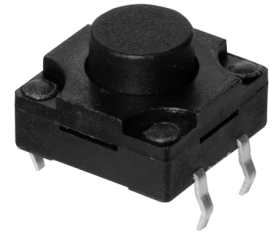


**SERIES:** TS15 | **DESCRIPTION:** TACTILE SWITCH**FEATURES**

- IP66
- crimped pins
- through hole

**SPECIFICATIONS**

| parameter             | conditions/description   | min  | typ              | max  | units            |
|-----------------------|--|------|------------------|------|------------------|
| rated voltage         |  | 1    |                  | 12   | Vdc              |
| rated current         |  | 0.01 |                  | 50   | mA               |
| withstanding voltage  | for 1 minute   |      | 250              |      | Vac              |
| contact resistance    | applying load of 2 times operating force at 5 Vdc, 10 mA                                 |      |                  | 100  | mΩ               |
| insulation resistance | at 100 Vdc for 1 minute  | 100  |                  |      | MΩ               |
| operating force       | see force table  |      |                  |      |                  |
| actuator travel       |  | 0.35 | 0.45             | 0.55 | mm               |
| operating temperature |  | -30  |                  | 80   | °C               |
| storage temperature   |  | -40  |                  | 90   | °C               |
| life                  | rated load, 2 cycles/second, 1.5 times operating force<br>160 gf models<br>260 gf models |      | 70,000<br>50,000 |      | cycles<br>cycles |
| vibration             | 10-55-10 Hz, 1.5 mm amplitude, 2 hours on each XYZ                                       |      |                  |      |                  |
| flammability rating   | see material table   |      |                  |      |                  |
| RoHS                  | yes  |      |                  |      |                  |
| IP level              | IP66   |      |                  |      |                  |

**SOLDERABILITY**

| parameter      | conditions/description | min | typ | max | units |
|----------------|------------------------|-----|-----|-----|-------|
| hand soldering | for maximum 3 seconds  |     |     | 350 | °C    |
| wave soldering | for maximum 5 seconds  |     |     | 260 | °C    |

**PART NUMBER KEY****TS15 - 1212 - XX - BK - XXX - SCR - D**

Base Number

Actuator Height:

50 = 5.0 mm    100 = 10.0 mm  
 65 = 6.5 mm    110 = 11.0 mm  
 70 = 7.0 mm    125 = 12.5 mm  
 80 = 8.0 mm    140 = 14.0 mm  
 95 = 9.5 mm    150 = 15.0 mm

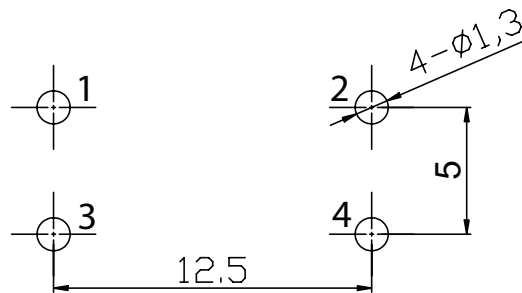
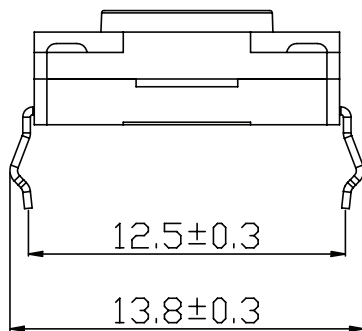
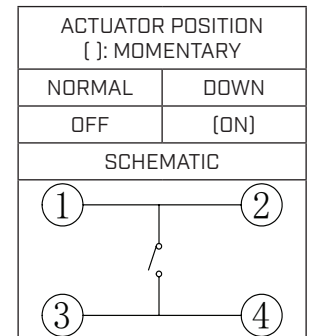
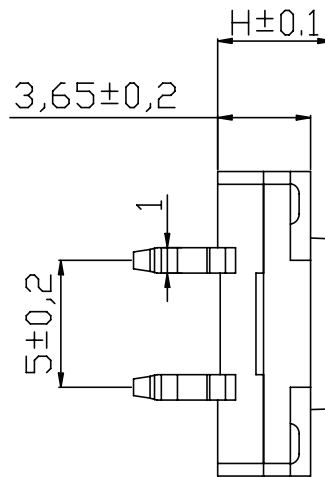
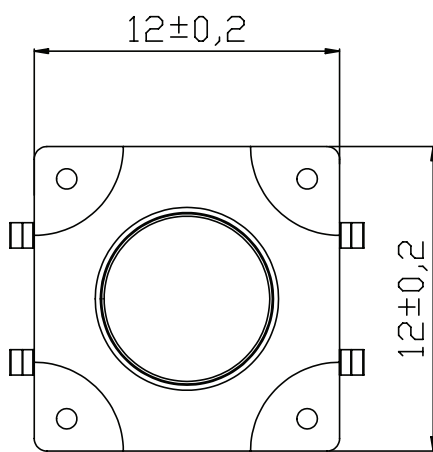
Push Force:

160 = 160 gf  
 260 = 260 gf

## MECHANICAL DRAWING

units: mm  
tolerance:  $\pm 0.2$  mm  
unless otherwise noted

| ITEM | DESCRIPTION   | MATERIAL     | PLATING/COLOR |
|------|---------------|--------------|---------------|
| 1    | terminals     | brass        | silver        |
| 2    | housing       | PPA [UL94HB] | black         |
| 3    | contacts      | SUS          | silver        |
| 4    | cover         | PPA [UL94HB] | black         |
| 5    | stem          | PPA [UL94HB] | black         |
| 6    | silicone pads | gel          | black         |

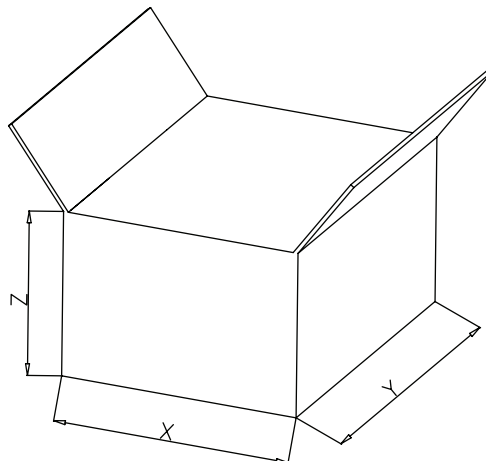
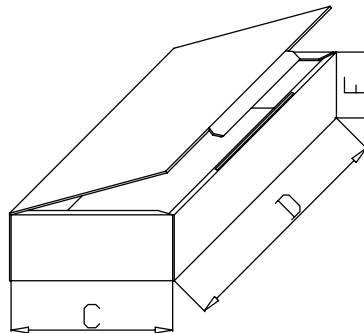
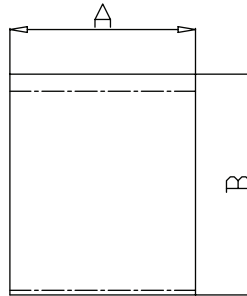


Recommended PCB Layout  
Top View

| Operating Force Table |                  |                   |
|-----------------------|------------------|-------------------|
| Model                 | Press Force [gf] | Return Force [gf] |
| 160                   | 160 $\pm$ 70     | >20               |
| 260                   | 260 $\pm$ 100    | >20               |

## PACKAGING

| Packaging Table             |                     |         |                               |               |                          |            |
|-----------------------------|---------------------|---------|-------------------------------|---------------|--------------------------|------------|
| Actuator Height Models (mm) | Bag Size (AxB) (mm) | Bag QTY | Inner Box Size (Cx Dx E) (mm) | Inner Box QTY | Carton Size (XxYxZ) (mm) | Carton QTY |
| 5.0~10.0                    | 35 x 19 x 29        | 500     | 166 x 185 x 55                | 500           | 370 x 425 x 31           | 10,000     |
| 11.0~12.5                   | 35 x 19 x 29        | 400     | 166 x 185 x 55                | 400           | 370 x 425 x 31           | 8,000      |
| 14.0~15.0                   | 35 x 19 x 29        | 300     | 166 x 185 x 55                | 300           | 370 x 425 x 31           | 6,000      |



## REVISION HISTORY

| rev. | description                       | date       |
|------|-----------------------------------|------------|
| 1.0  | initial release                   | 04/13/2022 |
| 1.01 | logo, datasheet style update      | 08/05/2022 |
| 1.02 | CUI Devices rebranded to Same Sky | 09/12/2024 |

The revision history provided is for informational purposes only and is believed to be accurate.



Same Sky offers a one (1) year limited warranty. Complete warranty information is listed on our website.

Same Sky reserves the right to make changes to the product at any time without notice. Information provided by Same Sky is believed to be accurate and reliable. However, no responsibility is assumed by Same Sky for its use, nor for any infringements of patents or other rights of third parties which may result from its use.

Same Sky products are not authorized or warranted for use as critical components in equipment that requires an extremely high level of reliability. A critical component is any component of a life support device or system whose failure to perform can be reasonably expected to cause the failure of the life support device or system, or to affect its safety or effectiveness.

[sameskydevices.com](https://www.sameskydevices.com)