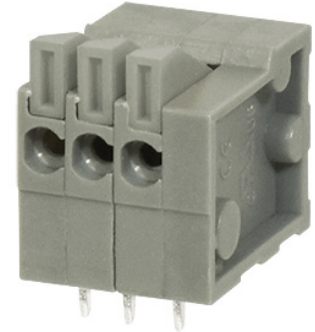




SERIES: TBL003-254 | **DESCRIPTION:** TERMINAL BLOCK

FEATURES

- 1-24 poles
- horizontal with board
- interlocking (side)
- lever actuated
- 2.54 mm pitch
- UL and CE safety approvals



SPECIFICATIONS

parameter	conditions/description	min	typ	max	units
rated voltage (per contact)	UL			150	V
	IEC			130	V
rated current (per contact)	UL			2	A
	IEC			6	A
withstanding voltage			1250		Vac
surge voltage				2500	V
contact resistance				20	mΩ
insulation resistance	at 500 Vdc	500			MΩ
operating temperature		-40		105	°C
safety approvals	UL 1059, EN 60998-1:2004, EN 60998-2-1:2004				
flammability rating	UL94V-0				
RoHS	yes				

SOLDERABILITY

parameter	conditions/description	min	typ	max	units
hand soldering	for maximum 10 seconds	345	350	355	°C
wave soldering	for maximum 5 seconds	255	260	265	°C

PART NUMBER KEY

TBL003-254- XX XX - 2XX

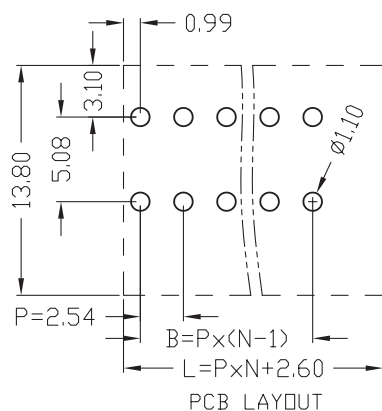
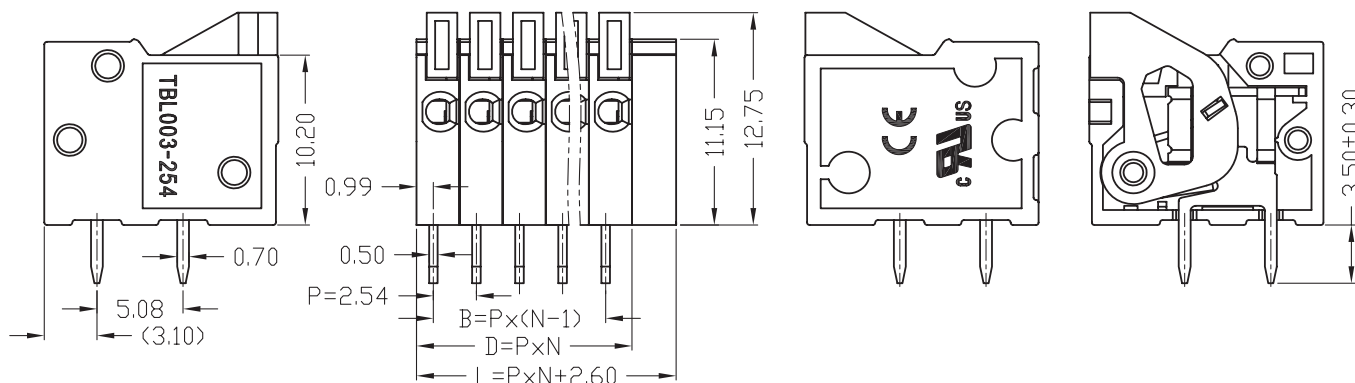
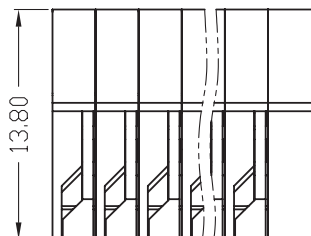
Base Number	No. of Poles:	Body Color:	Push Button Color:
	01 09 17	BE = blue	BE = blue
	02 10 18	*GR = green	GR = green
	03 11 19	OR = orange	*OR = orange
	04 12 20	YL = yellow	YL = yellow
	05 13 21	GY = gray	GY = gray
	06 14 22	BK = black	BK = black
	07 15 23		WT = white
	08 16 24		

*Standard housing color is green with orange push button. All other colors are subject to higher MOQ. Please inquire with Same Sky sales for details.

MECHANICAL DRAWING

units: mm
 tolerance (per module):
 $X \leq 6.00$: ± 0.25 mm
 $6.00 < X \leq 30.00$: ± 0.40 mm
 unless otherwise noted

DESCRIPTION	MATERIAL	PLATING/COLOR
housing	PA66 (UL94V-0)	
contacts	copper alloy	tin
spring	stainless steel	



WIRE ASSEMBLY		
	UL	IEC
Wire Range	24~20 AWG	1.0 mm ²
Strip Length	11 mm	

This series is constructed of 1 pole modules where L is the total length, P is the pitch, and N is the number of poles.

N	01	02	03	04	05	06	07	08	09	10	11	12
L	5.14	7.68	10.22	12.76	15.30	17.84	20.38	22.92	25.46	28.00	30.54	33.08
B	--	2.54	5.08	7.62	10.16	12.70	15.24	17.78	20.32	22.86	25.40	27.94
N	13	14	15	16	17	18	19	20	21	22	23	24
L	35.62	38.16	40.70	43.24	45.78	48.32	50.86	53.40	55.94	58.48	61.02	63.56
B	30.48	33.02	35.56	38.10	40.64	43.18	45.72	48.26	50.80	53.34	55.88	58.42

REVISION HISTORY

rev.	description	date
1.0	initial release	04/17/2019
1.01	brand update	02/06/2020
1.02	updated datasheet	04/20/2020
1.03	logo, datasheet style update	08/12/2022
1.04	CUI Devices rebranded to Same Sky	09/12/2024

The revision history provided is for informational purposes only and is believed to be accurate.



Same Sky offers a one (1) year limited warranty. Complete warranty information is listed on our website.

Same Sky reserves the right to make changes to the product at any time without notice. Information provided by Same Sky is believed to be accurate and reliable. However, no responsibility is assumed by Same Sky for its use, nor for any infringements of patents or other rights of third parties which may result from its use.

Same Sky products are not authorized or warranted for use as critical components in equipment that requires an extremely high level of reliability. A critical component is any component of a life support device or system whose failure to perform can be reasonably expected to cause the failure of the life support device or system, or to affect its safety or effectiveness.

[sameskydevices.com](https://www.sameskydevices.com)