



MODEL: T-0008 | **DESCRIPTION:** CRIMP PIN

FEATURES

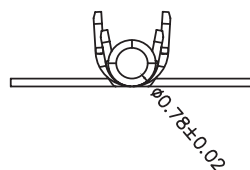
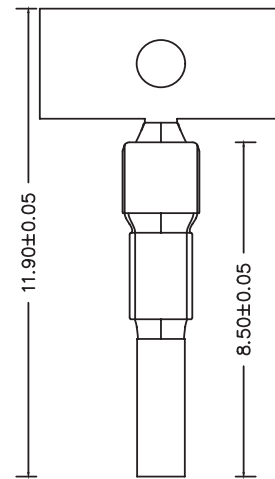
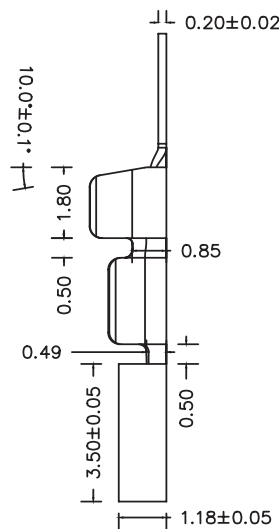
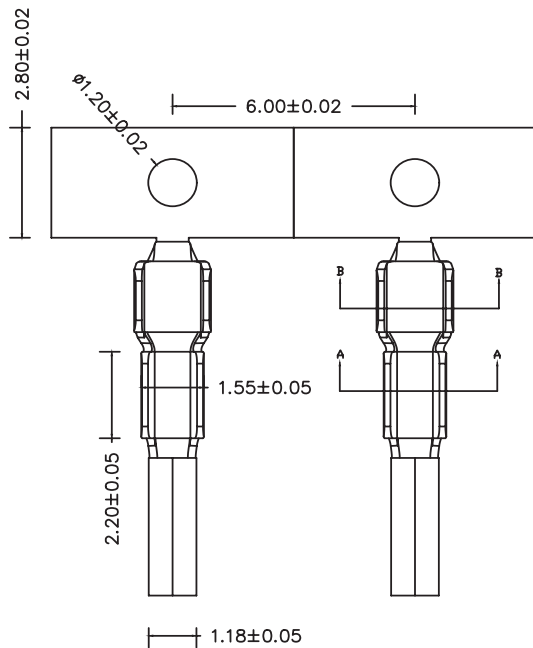
- crimp terminal for MD series mini DIN plug
- suitable for 26 AWG wire



MECHANICAL DRAWING

units: mm
 tolerance:
 X.X ±0.15 mm
 X.XX ±0.08 mm
 X.XXX ±0.03 mm
 unless otherwise noted

| | MATERIAL | PLATING |
|----------|-----------------|---------|
| terminal | phosphor bronze | tin |



SECTION A-A

SECTION B-B

REVISION HISTORY

| rev. | description | date |
|------|-----------------------------------|------------|
| 1.0 | initial release | 05/18/2020 |
| 1.01 | modified design | 02/28/2024 |
| 1.02 | CUI Devices rebranded to Same Sky | 09/12/2024 |

The revision history provided is for informational purposes only and is believed to be accurate.

The logo for Same Sky, featuring the words "same sky" in a lowercase, sans-serif font. "same" is in a dark purple color, and "sky" is in a lighter purple color.

Same Sky offers a one (1) year limited warranty. Complete warranty information is listed on our website.

Same Sky reserves the right to make changes to the product at any time without notice. Information provided by Same Sky is believed to be accurate and reliable. However, no responsibility is assumed by Same Sky for its use, nor for any infringements of patents or other rights of third parties which may result from its use.

Same Sky products are not authorized or warranted for use as critical components in equipment that requires an extremely high level of reliability. A critical component is any component of a life support device or system whose failure to perform can be reasonably expected to cause the failure of the life support device or system, or to affect its safety or effectiveness.

[sameskydevices.com](https://www.sameskydevices.com)