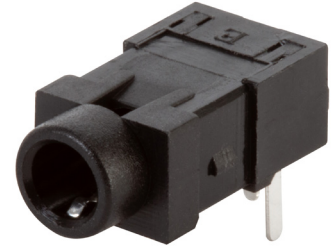
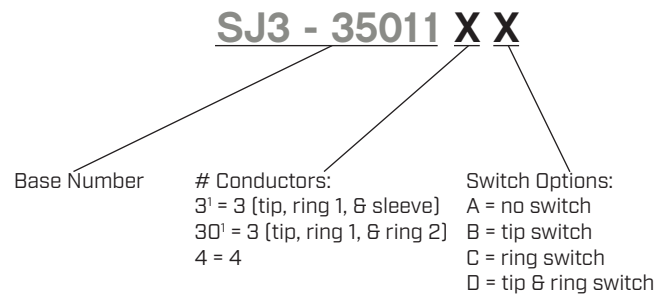


SERIES: SJ3-35011X | **DESCRIPTION:** AUDIO JACK**FEATURES**

- 3.5 mm audio jack
- through hole
- tray packaging
- multiple switch variations

**PART NUMBER KEY**

Note: 1, 3 conductor options only available without switch

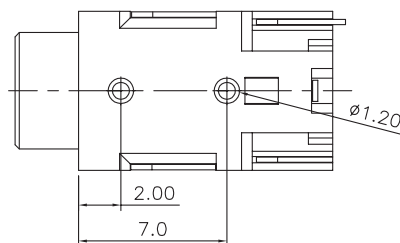
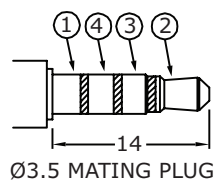
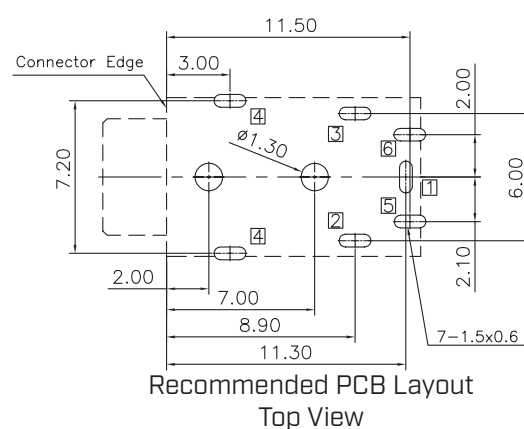
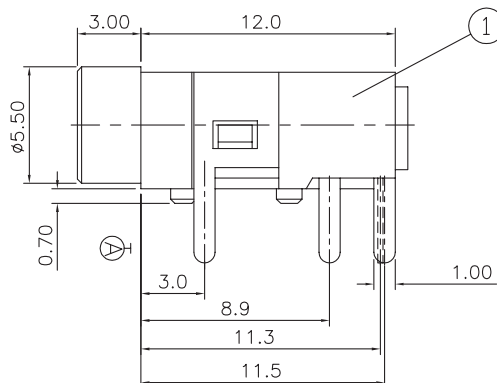
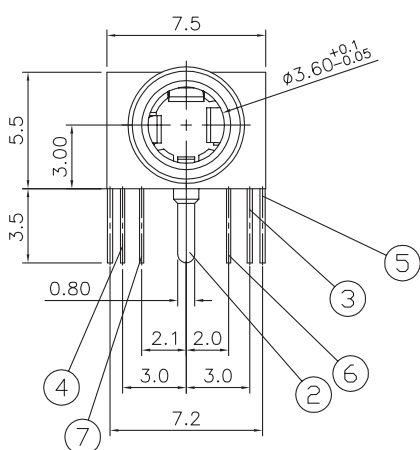
SPECIFICATIONS

parameter	conditions/description	min	typ	max	units
rated input voltage			12		Vdc
rated input current				1	A
contact resistance				30	mΩ
insulation resistance	at 500 Vdc	100			MΩ
voltage withstand	for 1 minute			500	Vac
insertion/withdrawal force		0.3		3	kg
operating temperature		-25		85	°C
life			5,000		cycles
flammability rating	UL94V-0				
RoHS	yes				

MECHANICAL DRAWING

units: mm
 tolerance:
 X.X ±0.30 mm
 X.XX ±0.25 mm
 X.XXX ±0.20 mm
 PCB: ±0.05 mm
 unless otherwise specified

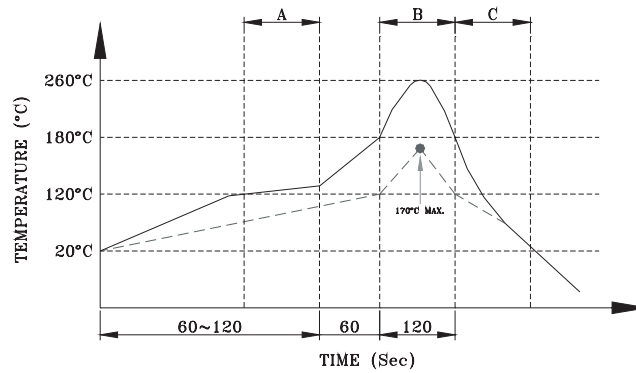
ITEM	DESCRIPTION	MATERIAL	PLATING/COLOR
1	housing	PBT [UL94V-0]	black
2	terminal 1	phosphor bronze t=0.25	silver over nickel
3	terminal 2	phosphor bronze t=0.25	silver over nickel
4	terminal 3	phosphor bronze t=0.20	silver over nickel
5	terminal 4	phosphor bronze t=0.25	silver over nickel
6	terminal 5	brass t=0.20	silver over nickel
7	terminal 6	brass t=0.20	silver over nickel



Model No.	SJ3-350113A	SJ3-3501130A	SJ3-350114A	SJ3-350114B	SJ3-350114C	SJ3-350114D
Schematic						
PIN						
1	sleeve	NP	sleeve	sleeve	sleeve	sleeve
2	tip	tip	tip	tip	tip	tip
3	ring 1	ring 1	ring 1	ring 1	ring 1	ring 1
4	NP	ring 2	ring 2	ring 2	ring 2	ring 2
5	NP	NP	NP	tip switch	NP	tip switch
6	NP	NP	NP	NP	ring 1 switch	ring 1 switch

SOLDERABILITY

parameter	conditions/description	min	typ	max	units
wave soldering	for max 5 seconds	255	260	265	°C



- A. Preheating
 - B. Soldering
 - C. Cooling
- Pin Temperature
 - - - Component Temperature

REVISION HISTORY

rev.	description	date
1.0	initial release	06/12/2024
1.01	CUI Devices rebranded to Same Sky	09/12/2024

The revision history provided is for informational purposes only and is believed to be accurate.



Same Sky offers a one (1) year limited warranty. Complete warranty information is listed on our website.

Same Sky reserves the right to make changes to the product at any time without notice. Information provided by Same Sky is believed to be accurate and reliable. However, no responsibility is assumed by Same Sky for its use, nor for any infringements of patents or other rights of third parties which may result from its use.

Same Sky products are not authorized or warranted for use as critical components in equipment that requires an extremely high level of reliability. A critical component is any component of a life support device or system whose failure to perform can be reasonably expected to cause the failure of the life support device or system, or to affect its safety or effectiveness.

[sameskydevices.com](https://www.sameskydevices.com)