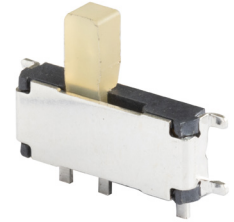




MODEL: SLW-682715-25A-SMT-TR | **DESCRIPTION:** SLIDE SWITCH

FEATURES

- surface mount
- raised slide actuator



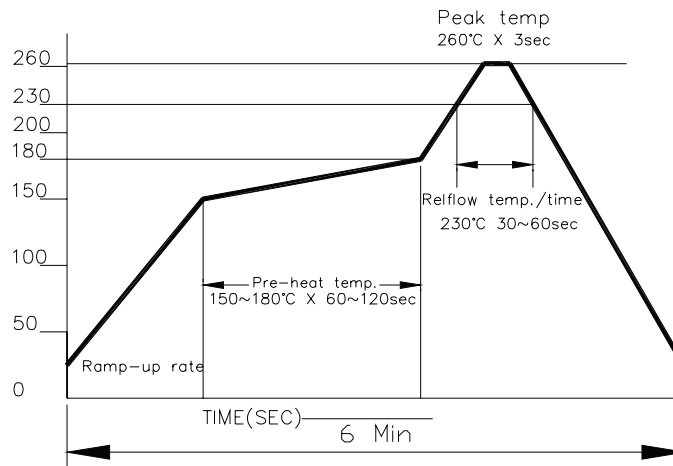
SPECIFICATIONS

parameter	conditions/description	min	typ	max	units
rated voltage				6	Vdc
rated current				300	mA
withstanding voltage	at 50~60 Hz for 1 minute		500		Vac
contact resistance	measured at 100 mA			70	mΩ
insulation resistance	at 500 Vdc for 1 minute	100			MΩ
operating force		50	150	250	gf
actuator travel		1.2	1.5	1.8	mm
operating temperature		-20		75	°C
life	without load at a rate of 15~18 cycles per minute		10,000		cycles
vibration	10~55~10 Hz, 1.5 mm amplitude, 2 hours on each XYZ				
flammability rating	see material table				
RoHS	yes				

Notes: 1. All specifications measured at 5-35°C, humidity at 45-85%, under 86-106 kPa pressure, unless otherwise noted.

SOLDERABILITY

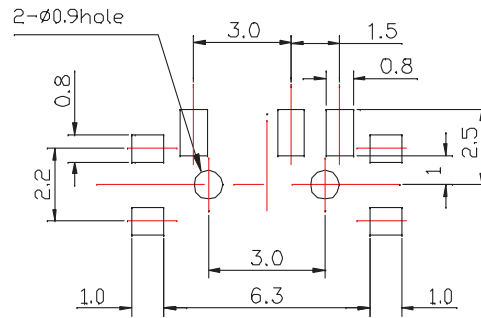
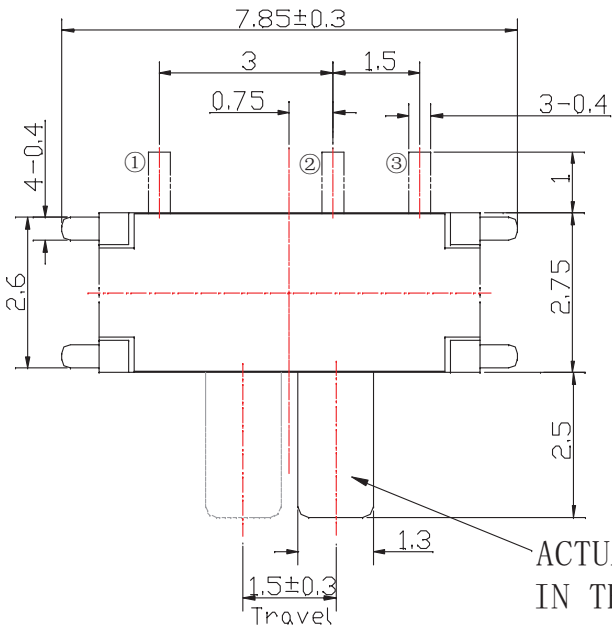
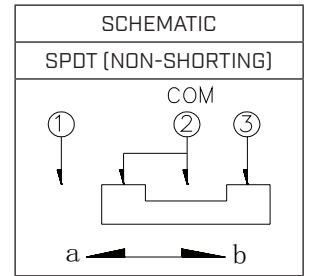
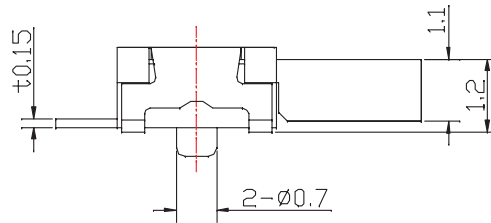
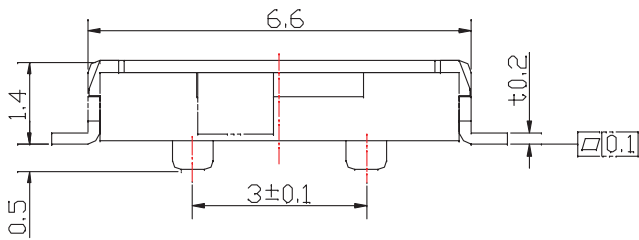
parameter	conditions/description	min	typ	max	units
reflow soldering	see reflow profile			260	°C



MECHANICAL DRAWING

units: mm
 tolerance: ± 0.15 mm
 unless otherwise specified

DESCRIPTION	MATERIAL	PLATING/COLOR
cover	phosphorus bronze	silver
stem	PA46	black
contact	phosphorus bronze	silver
spring blade	SUS301	
housing	LCP	black
terminal	phosphorus bronze	silver



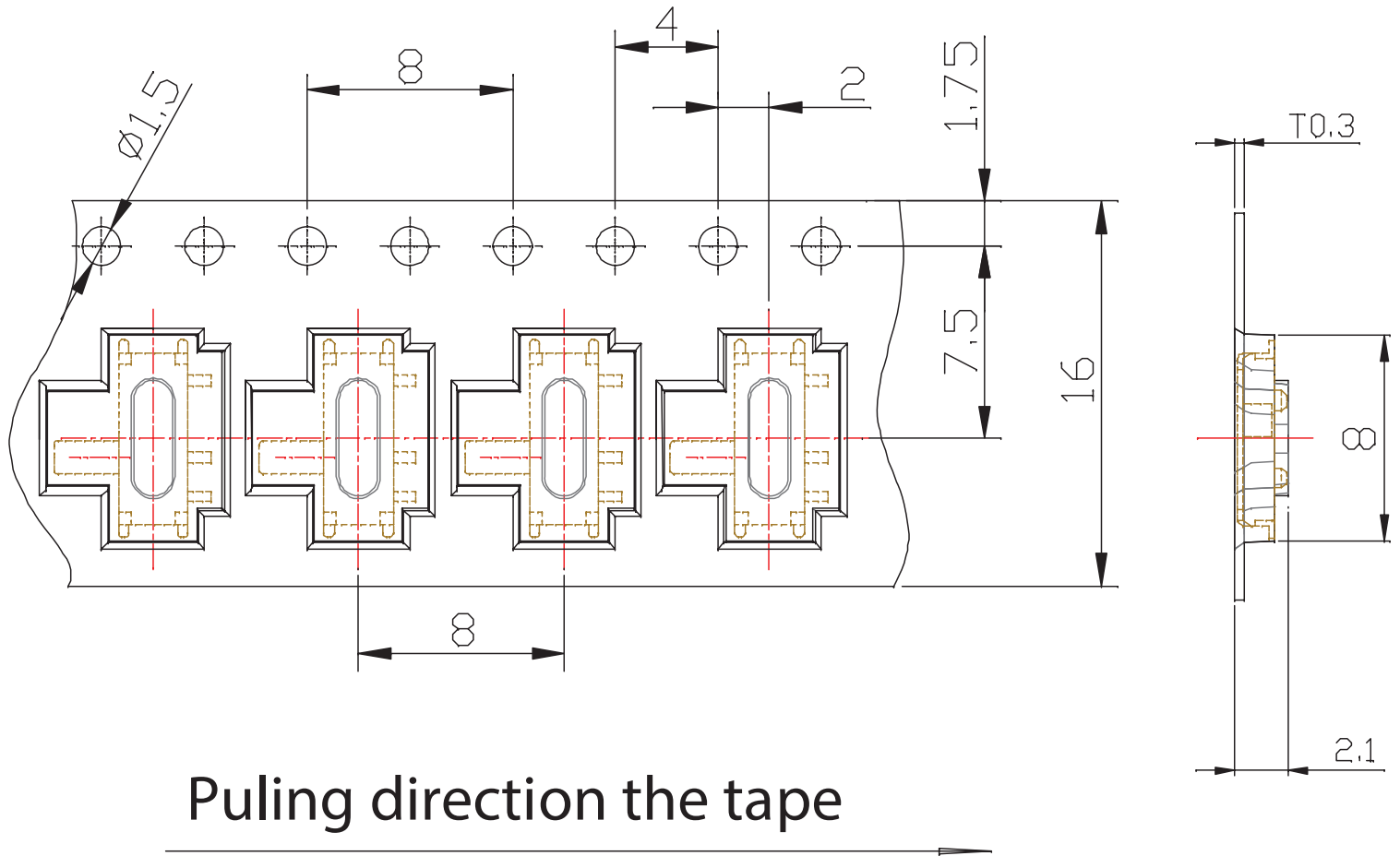
Recommended PCB Layout
 Top View

ACTUATOR SHOWN
 IN THE POSITION

PACKAGING

units: mm

Reel Size: \varnothing 330 mm
 QTY: 3,000 pcs



REVISION HISTORY

rev.	description	date
1.0	initial release	09/24/2024

The revision history provided is for informational purposes only and is believed to be accurate.



Same Sky offers a one (1) year limited warranty. Complete warranty information is listed on our website.

Same Sky reserves the right to make changes to the product at any time without notice. Information provided by Same Sky is believed to be accurate and reliable. However, no responsibility is assumed by Same Sky for its use, nor for any infringements of patents or other rights of third parties which may result from its use.

Same Sky products are not authorized or warranted for use as critical components in equipment that requires an extremely high level of reliability. A critical component is any component of a life support device or system whose failure to perform can be reasonably expected to cause the failure of the life support device or system, or to affect its safety or effectiveness.

[sameskydevices.com](https://www.sameskydevices.com)