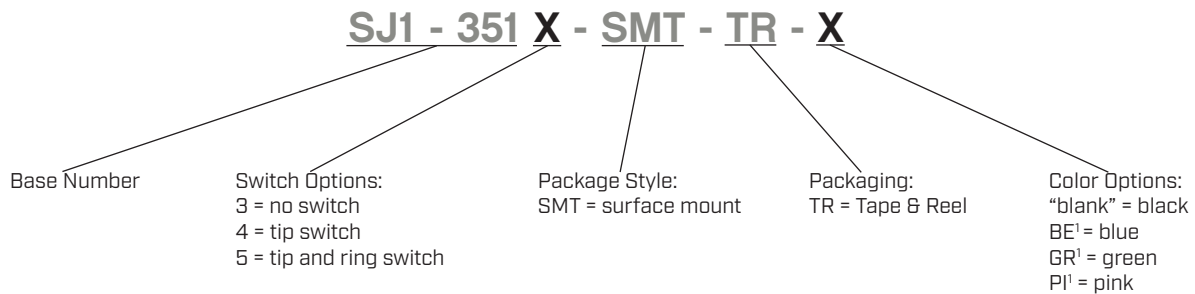



SERIES: SJ1-351X-SMT | **DESCRIPTION:** AUDIO JACK

FEATURES

- low profile design
- switch options include: no switch, tip switch, tip & ring switch
- gold flash
- plastic housing


PART NUMBER KEY


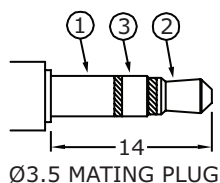
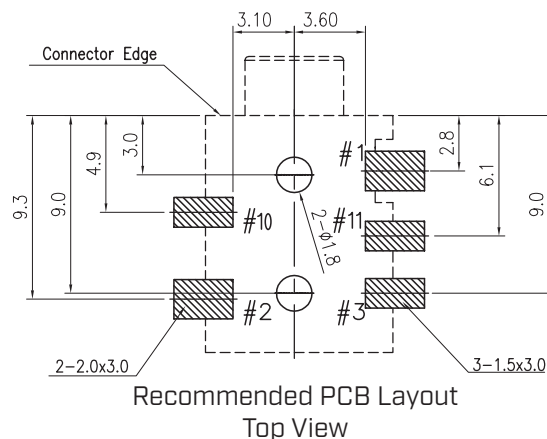
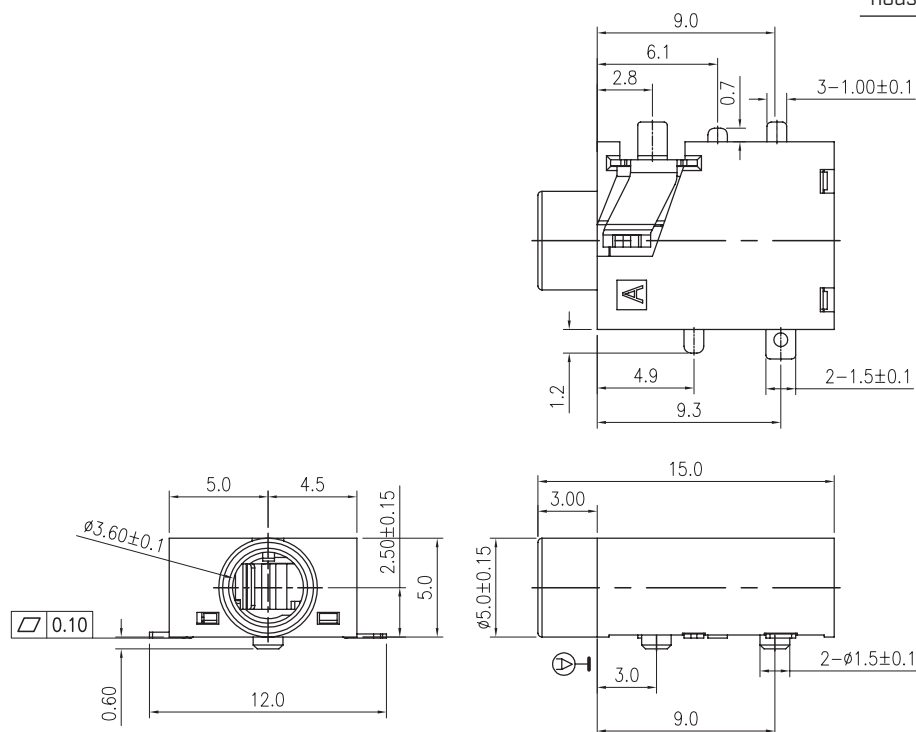
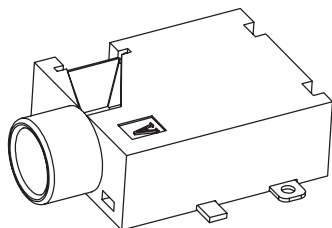
Notes: 1. Tip and ring switch model only

SPECIFICATIONS

| parameter | conditions/description | min | typ | max | units |
|----------------------------|--|-----|-------|----------|----------|
| rated input voltage | | | 12 | | Vdc |
| rated input current | | | | 1 | A |
| contact resistance | between terminal and mating plug between terminal in a closed circuit | | | 50 30 | mΩ mΩ |
| insulation resistance | at 500 Vdc | 100 | | | MΩ |
| voltage withstand | for 1 minute | | | 500 | Vac |
| insertion/withdrawal force | | 0.3 | | 3 | kg |
| operating temperature | | -25 | | 85 | °C |
| life | | | 5,000 | | cycles |
| flammability rating | UL94V-0 | | | | |
| RoHS | yes | | | | |

MECHANICAL DRAWING

units: mm
 tolerance:
 X.X ±0.30 mm
 X.XX ±0.25 mm
 X.XXX ±0.20 mm
 PCB: ±0.05 mm
 unless otherwise specified



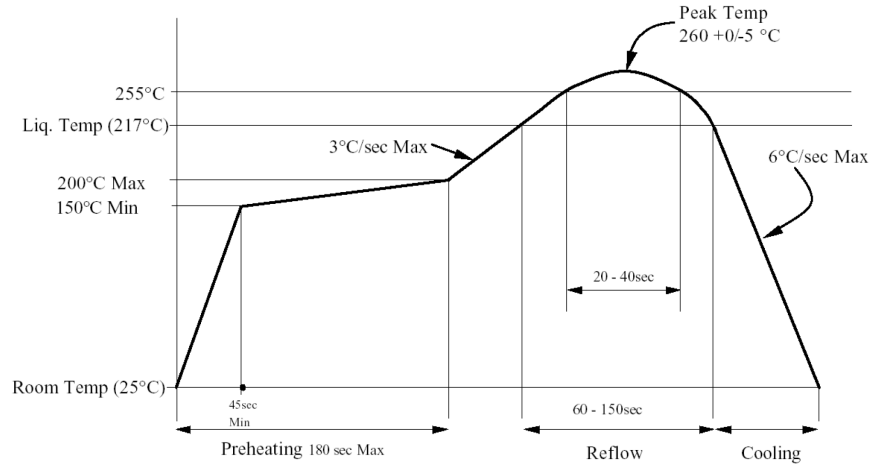
| Model No. | SJ1-3513-SMT | SJ1-3514-SMT | SJ1-3515-SMT |
|-----------|--------------|--------------|--------------|
| Schematic | | | |
| PIN | | | |
| 1 | sleeve | sleeve | sleeve |
| 2 | tip | tip | tip |
| 3 | ring | ring | ring |
| 10 | NP | tip switch | tip switch |
| 11 | NP | NP | ring switch |

| DESCRIPTION | MATERIAL | PLATING/COLOR |
|-------------|---------------------------|------------------------|
| terminal 1 | phosphor bronze t=0.30 | gold flash over nickel |
| terminal 2 | phosphor bronze t=0.20 | gold flash over nickel |
| terminal 3 | phosphor bronze t=0.20 | gold flash over nickel |
| terminal 10 | brass t=0.20 | gold flash over nickel |
| terminal 11 | brass t=0.20 | gold flash over nickel |
| cover | PA9T (UL94V-0) | see color options |
| housing | PA9T (UL94V-0) | see color options |

SOLDERABILITY

| parameter | conditions/description | min | typ | max | units |
|------------------|-------------------------|-----|-----|-----|-------|
| reel storage | 5~25°C, 20~75% humidity | | | | |
| reflow soldering | see reflow profile | 255 | 260 | | °C |

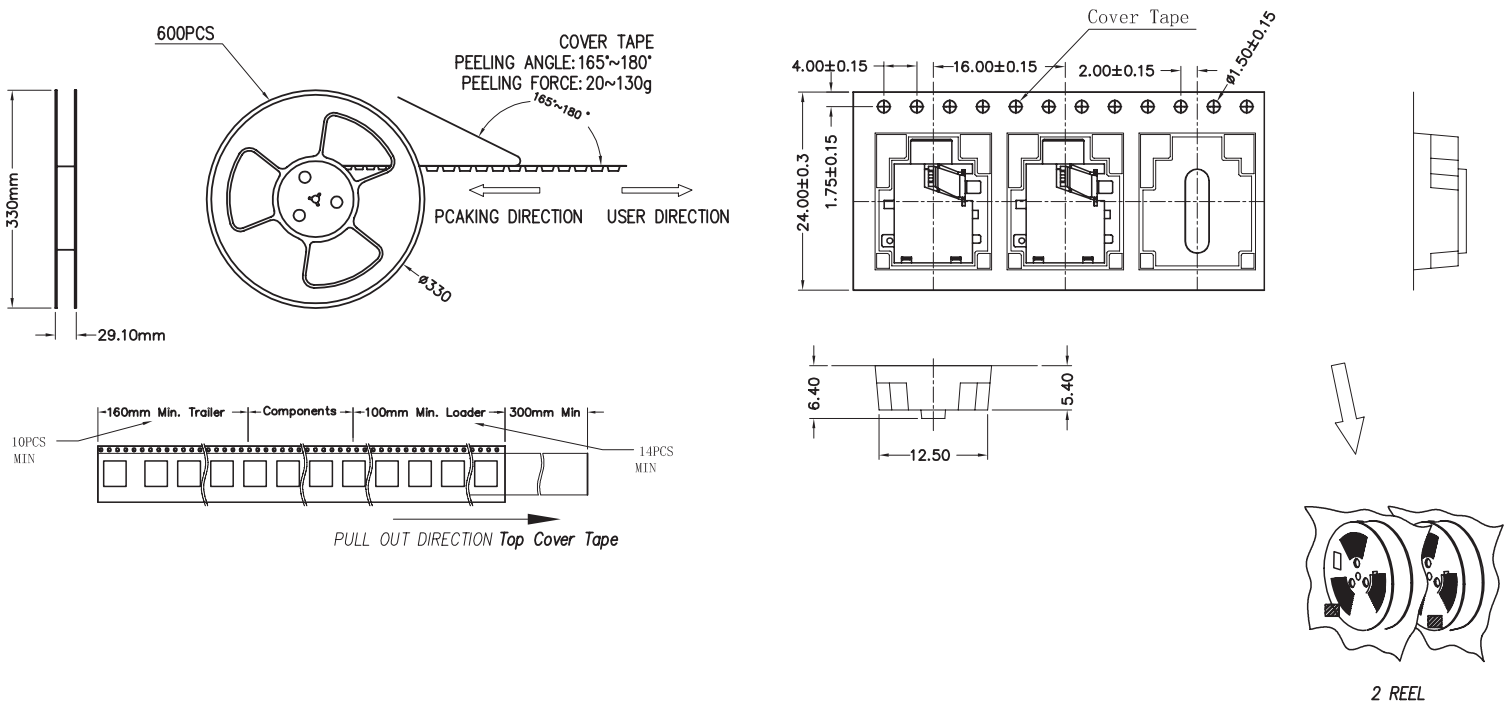
Note: 2. Same Sky recommends usage of the product within 24 hours after T&R is opened. After 24 hours, Same Sky recommends drying the parts prior to use.



PACKAGING

units: mm

Reel Size: Ø330 mm
Reel QTY: 600 pcs per reel



REVISION HISTORY

| rev. | description | date |
|------|---|------------|
| 1.0 | initial release | 11/21/2005 |
| 1.01 | new template applied | 01/27/2012 |
| 1.02 | added TR package and color options | 11/01/2012 |
| 1.03 | updated datasheet | 05/01/2015 |
| 1.04 | added model, updated datasheet | 12/19/2016 |
| 1.05 | added storage and drying conditions | 02/15/2018 |
| 1.06 | brand update | 10/09/2019 |
| 1.07 | discontinued model SJ1-3513C-SMT-TR; logo, datasheet style update | 08/17/2022 |
| 1.08 | product reengineered for improved manufacturability and production yield, see PCN for details | 03/08/2023 |
| 1.09 | CUI Devices rebranded to Same Sky | 09/12/2024 |

The revision history provided is for informational purposes only and is believed to be accurate.



Same Sky offers a one (1) year limited warranty. Complete warranty information is listed on our website.

Same Sky reserves the right to make changes to the product at any time without notice. Information provided by Same Sky is believed to be accurate and reliable. However, no responsibility is assumed by Same Sky for its use, nor for any infringements of patents or other rights of third parties which may result from its use.

Same Sky products are not authorized or warranted for use as critical components in equipment that requires an extremely high level of reliability. A critical component is any component of a life support device or system whose failure to perform can be reasonably expected to cause the failure of the life support device or system, or to affect its safety or effectiveness.

[sameskydevices.com](https://www.sameskydevices.com)