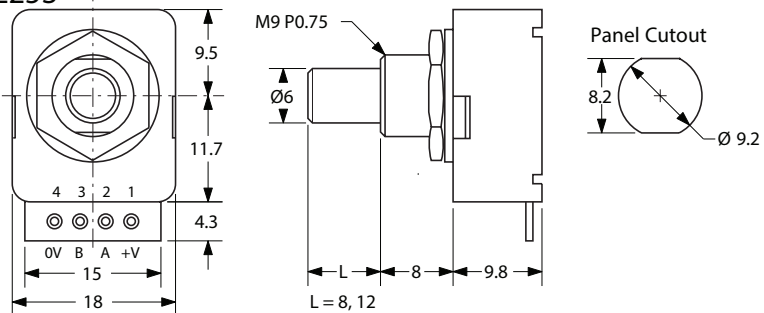


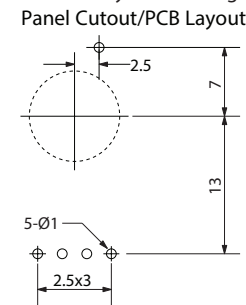
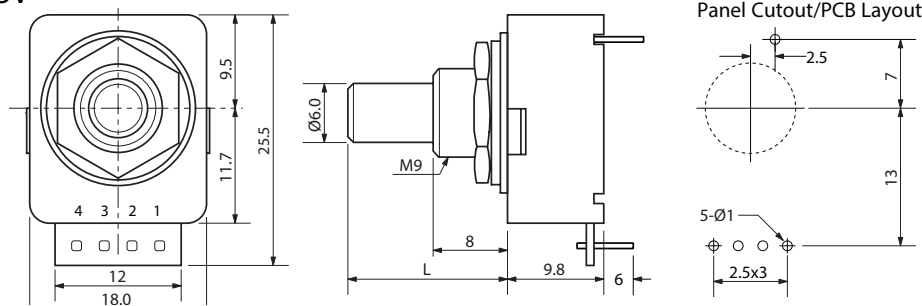
Additional Resources: [Product Page](#)

© Same Sky 2024. All Rights Reserved.

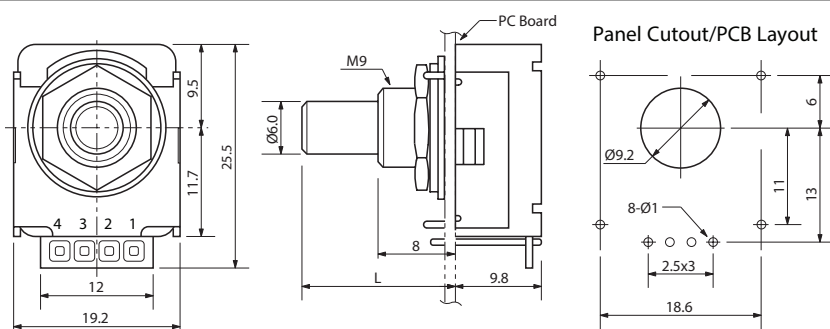
**RE25S**



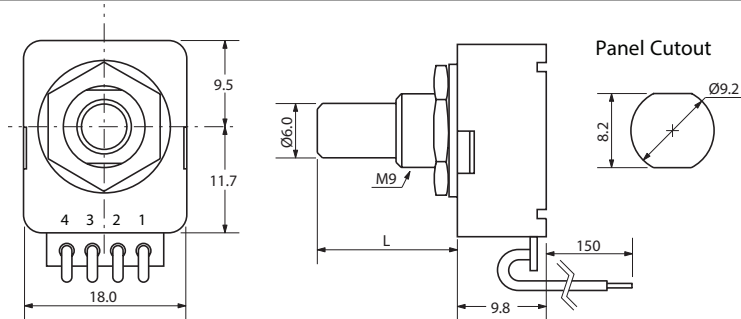
**RE25V**



**RE25F**



**RE25C**



**SPECIFICATIONS**

**ELECTRICAL**

- Input Power: 5.0 VDC  $\pm$ 10% @ 10mA  
3.3 VDC  $\pm$ 10% @ 10mA
- Output Voltage: H = Vcc - 0.4V  
L 0.4V
- Resolution: 16, 25 PPR
- Output Type: TTL/CMOS Compatible
- Max. Freq. Response: 500 Hz

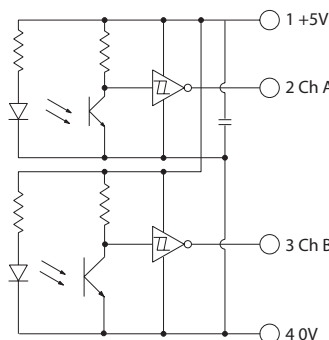
**MECHANICAL**

- Max Shaft Load, radial: 1.0 kgf  
axial: 1.0 kgf
- Rotational Angle: 360° continuous
- Click Torque: 100 gf cm max.
- Rotational Life : 2.5 x 10<sup>6</sup> cycles

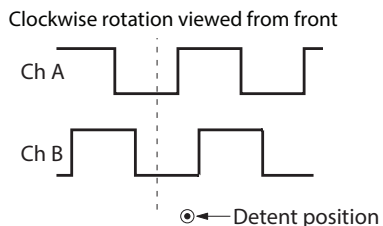
**ENVIRONMENTAL**

- Operating Temp: 0° to +60° C
- Storage Temp: -20° to +80° C
- Humidity: 85% RH, no condensation
- Vibration: 10~55 Hz, 1.5 mm, 2 hrs
- Shock: 50G, 6ms, 3 axes, 3 reps

**OUTPUT CIRCUIT**



**OUTPUT WAVEFORM**



**ORDERING INSTRUCTIONS**

**RE25X X XX C XX R X**

Type: \_\_\_\_\_  
N: Non-drip proof

Input Voltage:  
A: 5V $\pm$ 5% input  
B: 3.3V input

Termination Options:  
S: Solder hole  
C: Cable Type  
V: Vertical mount  
F: Front mount

Resolution:  
16: 16 PPR  
25: 25 PPR

Detent:  
C: Detent Only

Shaft Length:  
16: 16mm shaft  
20: 20mm shaft

Same Sky 6405 SW Rosewood St, Suite C Lake Oswego, OR 97035 www.sameskydevices.com			
DRAWN BY JRH	UPDATED 09/12/2024	CHECKED 09/03/2020	UNIT MM
PART NO. <b>RE25XXXXCXXX</b>			REV. <b>B</b>