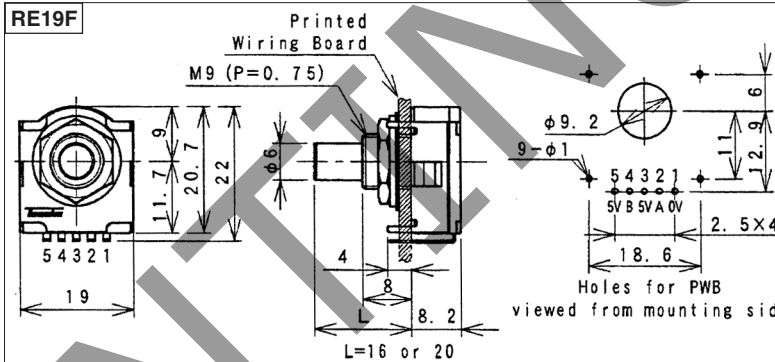
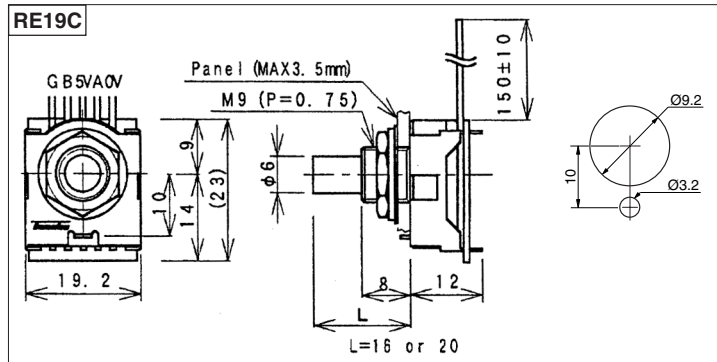
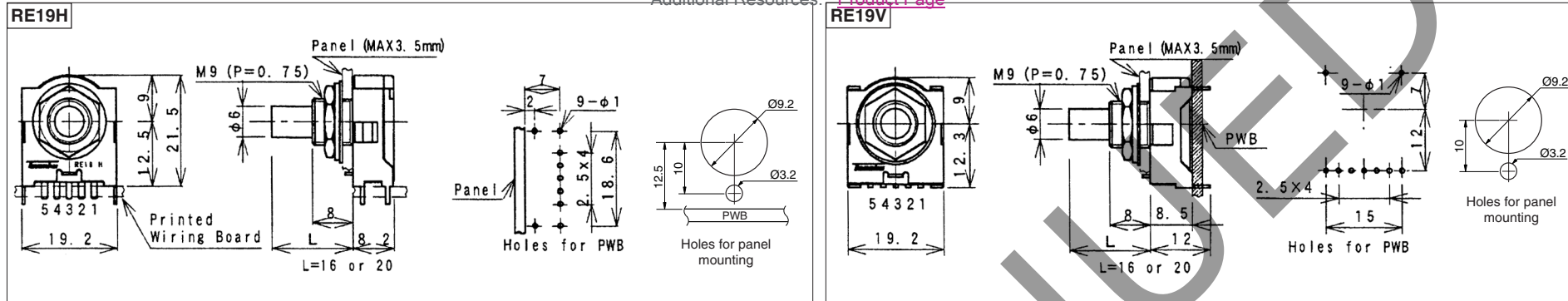


Additional Resources: [Product Page](#)



**Connections**

Number	Functions
5*	5V +5V Powersupply
4	B B Phase output
3*	5V +5V Powersupply
2	A A Phase output
1	0V 0V Common Return
G	Frame Ground/Earth

\*Please connect terminals 3 and 5 to 5V power supply.

**SPECIFICATIONS**

**ELECTRICAL**

- Input Power: 5.0 VDC ±10% @ 20mA
- Output Voltage: H = Vcc- 0.5V  
L ≤ 0.4V
- Resolution: 25/50 PPR
- Output Type: TTL Compatible
- Max. Freq. Response: 500 Hz

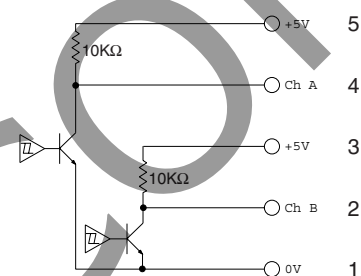
**MECHANICAL**

- Max Shaft Load, radial: 5.0 kgf  
axial: 5.0 kgf
- Rotational Angle: 360° continuous
- Click Torque: 30~70 gf•cm
- Rotational Life: 1,000,000 cycles

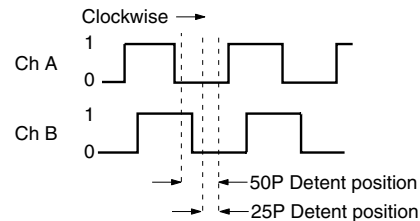
**ENVIRONMENTAL**

- Operating Temp: 0° to +70° C
- Storage Temp: -20° to +80° C
- Humidity: ≤85% RH, no condensation
- Vibration: 10~55 Hz, 1.5 mm, 2 hrs
- Shock: 50G, 6ms, 3 axes, 3 reps

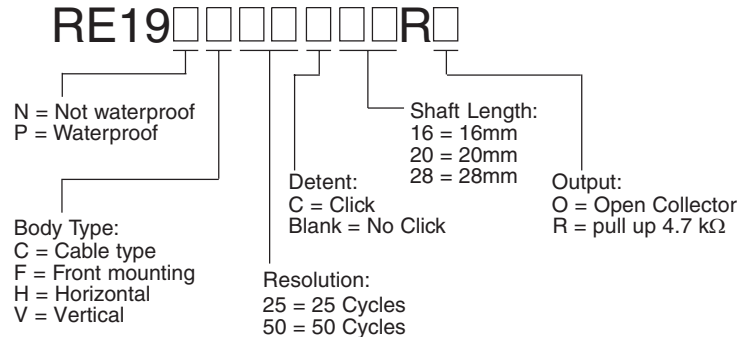
**OUTPUT CIRCUIT**



**OUTPUT WAVEFORM**



**ORDERING INSTRUCTIONS**



CUI Devices  
6405 SW Rosewood St, Suite C  
Lake Oswego, OR 97035  
www.cuidevices.com

DRAWN BY	UPDATED	CHECKED	RELEASED
JRH	09/01/20	09/01/20	
PART NO.			REV.
<b>RE19XXXXXXXXRX</b>			