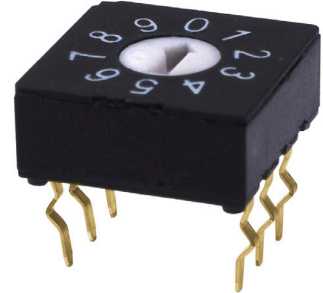


SERIES: RDS-1055 | DESCRIPTION: ROTARY DIP SWITCH

FEATURES

- 10 and 16 positions
- flat actuator
- gold plated terminals
- through hole mounting



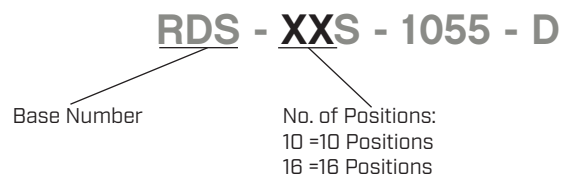
SPECIFICATIONS

| parameter | conditions/description | min | typ | max | units |
|-----------------------|------------------------|--------|-----|-----|---------|
| rated voltage | switching | | | 24 | Vdc |
| | non-switching | | | 50 | Vdc |
| rated current | switching | | | 25 | mA |
| | non-switching | | | 100 | mA |
| withstanding voltage | for 1 minute | | 250 | | Vac |
| contact resistance | initial | | | 50 | mΩ |
| | after life test | | | 100 | mΩ |
| insulation resistance | at 250 Vdc | 100 | | | MΩ |
| operating torque | | | | 500 | gf*cm |
| dial travel | continuous rotation | | 360 | | degrees |
| operating temperature | | -40 | | 85 | °C |
| storage temperature | | -40 | | 85 | °C |
| life | | 10,000 | | | steps |
| flammability rating | UL94V-0 | | | | |
| RoHS | yes | | | | |

SOLDERABILITY

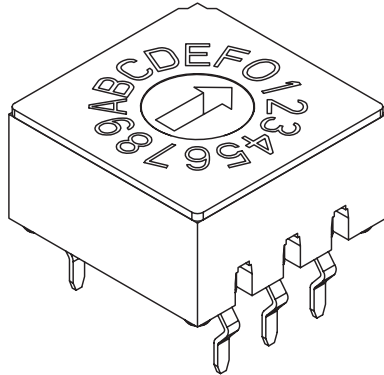
| parameter | conditions/description | min | typ | max | units |
|----------------|------------------------|-----|-----|-----|-------|
| hand soldering | for maximum 3 seconds | 315 | 320 | 325 | °C |
| wave soldering | for maximum 5 seconds | 240 | 250 | 260 | °C |

PART NUMBER KEY



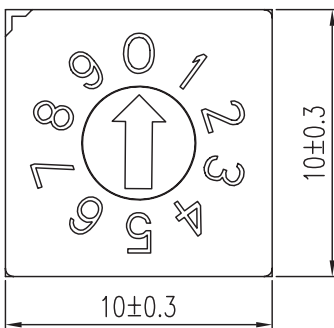
MECHANICAL DRAWING

units: mm
 tolerance:
 $X \leq 0.5$: ± 0.25 mm
 $0.5 < X \leq 3.0$: ± 0.15 mm
 $3.0 < X \leq 6.0$: ± 0.20 mm
 $6.0 < X \leq 30.0$: ± 0.25 mm
 $30.0 < X \leq 120.0$: ± 0.30 mm
 $120.0 < X \leq 400.0$: ± 0.50 mm
 $X > 400.0$: ± 0.80 mm
 unless otherwise noted

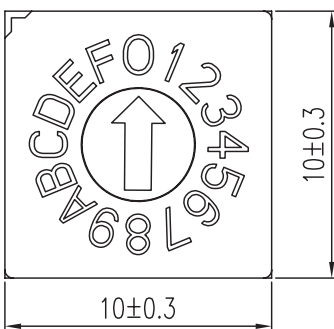


| ITEM | DESCRIPTION | MATERIAL | PLATING/COLOR |
|------|-------------|----------------|---------------|
| 1 | dial | PA9T (UL94V-0) | gray |
| 2 | housing | PA9T (UL94V-0) | black |
| 3 | base | PA9T (UL94V-0) | black |
| 4 | terminals | copper alloy | gold |

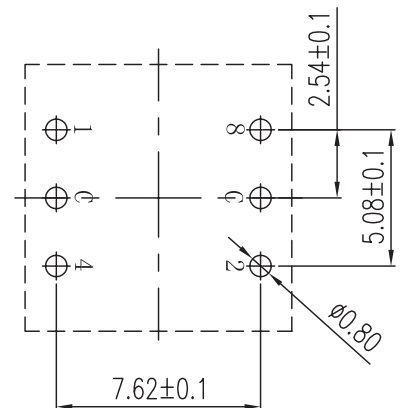
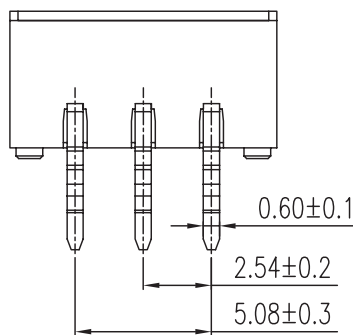
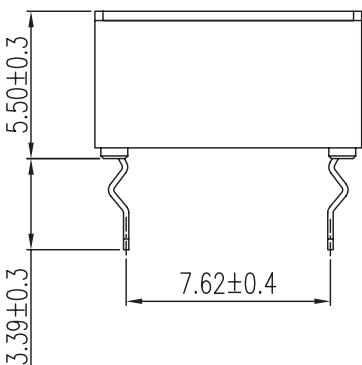
10 POSITION



16 POSITION



| | | ON ○ | | | | |
|---------|---|-------|------|---|---|---|
| | | OFF ● | CODE | | | |
| TYPE | | POS | 1 | 2 | 4 | 8 |
| 10 STEP | 0 | ● | ● | ● | ● | ● |
| | 1 | ○ | ● | ● | ● | ● |
| | 2 | ● | ○ | ● | ● | ● |
| | 3 | ○ | ○ | ● | ● | ● |
| | 4 | ● | ● | ○ | ● | ● |
| | 5 | ○ | ● | ○ | ● | ● |
| | 6 | ● | ○ | ○ | ● | ● |
| | 7 | ○ | ○ | ○ | ● | ● |
| | 8 | ● | ● | ● | ○ | ○ |
| | 9 | ○ | ● | ● | ○ | ○ |
| 16 STEP | A | ● | ○ | ● | ○ | ○ |
| | B | ○ | ○ | ● | ○ | ○ |
| | C | ● | ● | ○ | ○ | ○ |
| | D | ○ | ● | ○ | ○ | ○ |
| | E | ● | ○ | ○ | ○ | ○ |
| | F | ○ | ○ | ○ | ○ | ○ |



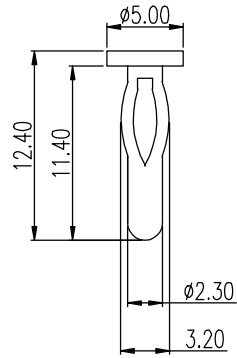
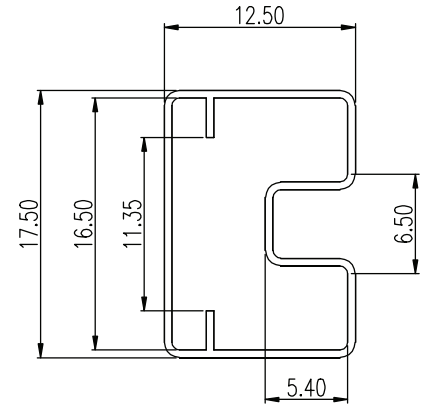
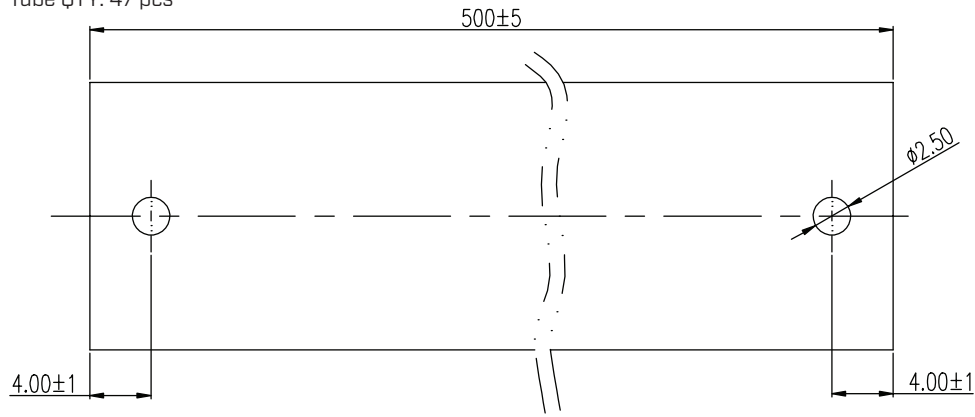
Recommended PCB Layout
Top View

PACKAGING

units: mm

Tube Size: 17.50 x 12.50 x 500 mm

Tube QTY: 47 pcs



REVISION HISTORY

| rev. | description | date |
|------|-----------------------------------|------------|
| 1.0 | initial release | 05/21/2020 |
| 1.01 | logo, datasheet style update | 08/05/2022 |
| 1.02 | CUI Devices rebranded to Same Sky | 09/12/2024 |

The revision history provided is for informational purposes only and is believed to be accurate.



Same Sky offers a one (1) year limited warranty. Complete warranty information is listed on our website.

Same Sky reserves the right to make changes to the product at any time without notice. Information provided by Same Sky is believed to be accurate and reliable. However, no responsibility is assumed by Same Sky for its use, nor for any infringements of patents or other rights of third parties which may result from its use.

Same Sky products are not authorized or warranted for use as critical components in equipment that requires an extremely high level of reliability. A critical component is any component of a life support device or system whose failure to perform can be reasonably expected to cause the failure of the life support device or system, or to affect its safety or effectiveness.

[sameskydevices.com](https://www.sameskydevices.com)